

END YOKES

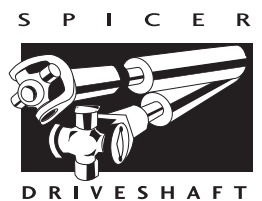
SPICER®



**J300P-4
SEPTEMBER
2001**

**Supersedes
Section 4, Dated
January, 1999**

END YOKES with SPLINED HOLES



INCLUDED IN THIS CATALOG

This publication represents the most comprehensive listing of Splined Hole End Yokes ever published by Spicer. We have included all the part numbers currently being produced. Most will be in inventory at our distribution centers, and any numbers not inventoried can be supplied upon request.

- Spicer Life Series yokes begin on page 4.
- A chart showing the configuration and dimensions of all slingers used on End Yoke Assemblies begins on page 63.
- All dimensions are shown in four-place decimals, making identification more compatible for people who measure using Vernier calipers.
- Listings have been expanded to assist in the identification of parts, and to help find the correct part or an alternate part for the application.
- All styles of end yokes (snap ring (SR), inside snap ring (ISR), bearing strap (BS), u-bolt (UB), constant velocity (CV), bearing plate (BP), half round (HR), and cap and bolt (CB)) are listed under their corresponding series/spline header, allowing easy substitution of one type for another.
- Footnotes are listed immediately under the yoke dimensional data, alleviating the need to look at the bottom of the page.
- All of the listings are sorted so that all the individual styles of end yokes, along with the many different seal (hub) diameters and lengths are readily accessible. With this sorting method, alternate style substitutions (u-bolt for bearing strap) or acceptable hub diameter substitutions can be made by looking on only one page of the catalog.
- Listings for round, square, rectangular and tapered hole yokes are once again listed in this catalog beginning on page 54.

IMPORTANT NOTICE: The data listed herein is correct to the best of our knowledge and belief; having been compiled from reliable and official sources of information. However, WE CANNOT ASSUME ANY RESPONSIBILITY for possible error.



HOW TO USE THIS CATALOG

To identify any end yoke, there are two pieces of required information:

1. Series (Measurements to determine Series can be found in each Series header.)
2. Center Hole Type and Size

Center Hole type is described at the top center of each page, and Series designations are listed in ascending order by Center Hole Type. After determining series and center hole size, and turning to the appropriate page, all sizes of center holes will be listed under the series designation, along with the different types of end yokes (snap ring (SR), u-bolt (UB), bearing strap (BS), etc.).

Example: To find a 1310 Series Yoke with a 1.146-26 Involute splined hole (see sample page below)

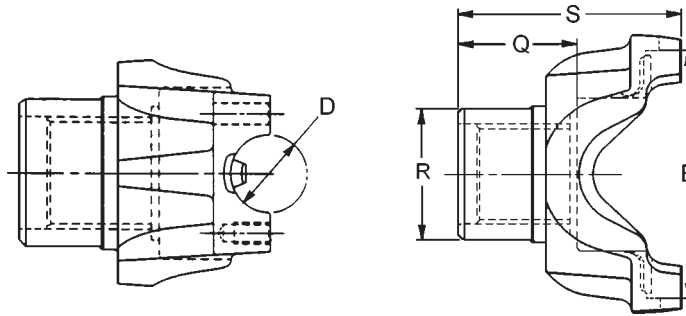
- 1 Find the 1310 Series heading.
- 2 Find the 1.146-26 Involute spline sub-heading.
- 3 Find a 1.5470 Ground Hub Diameter
- 4 Find a 1.5000 Length Through Hole
- 5 Find a 3.0000 Centerline to End
- 6 Find a Joint Angle of 22.5°
- 7 Find a U- Bolt Style — UB
- 8 Locate the part number. Assemblies include slingers, order when available.

Major Diameter	R	Q	S	Joint Angle	Style	End Yoke Assy. (incl. slinger) Order When Listed	Slinger Part	Spicer Part
	Ground Hub	Length Thru	Centerline to End					
1310 SERIES (Continued)						SR STYLE E-3.469 ALL OTHERS E-3.219, D-1.062		USE KIT 5-153X
USES U-BOLT ASSY. 2-94-28X, STRAP ASSY. 2-70-18X								
1.1460-26 Involute Spline								
1.1460	1.5130	2.0000	3.3000	26.0	SR			2-4-8161 <i>Coupling shaft yoke</i>
1.1460	1.5470	1.5000	3.0000	22.5	BS	2-4-8091-1X	41498	2-4-8081-1
1.1460	1.5470	1.5000	3.0000	22.5	UB	2-4-8091X	41498	2-4-8081
1.1460	1.5470	1.5000	3.0000	25.5	UB			2-4-7871
1.1460	1.5470	1.5000	3.2500	—	BS			2-4-8141-1

Note the following information from the sample above:

2-4-8091-1X (BS style) could easily be substituted for 2-4-8091X (UB style) by using bearing strap assembly 2-70-18X.





BS/CV/HR/UB Style

Major Diameter	R	Q	S	Joint Angle	Style	End Yoke Assy. (incl. slinger) Order When Listed	Slinger Part Number	Spicer Part Number
	Ground Hub Dia.	Length Thru Hole	Centerline to End					
SPL100 SERIES			SR STYLE E-5.380 ALL OTHERS E-4.958 D-1.626			USE KIT SPL100-1X		
H.R. STYLE USE STRAP ASSY NO. 90-70-28X								
1.7900-34 Involute Spline								
1.7900	2.1540	2.2450	4.0460	14.5	HR			100-4-931-1 <i>Coupling yoke</i>
1.7900	2.5620	2.7500	.0590	20.0	HR	100-4-921-1X	231059(PLUG)	100-4-911-1
1.7900	2.5620	2.7500	5.7000	20.0	HR	100-4-901-1X	231059(PLUG)	100-4-891-1
2.0240-39 Involute Spline								
2.0240	3.1400	2.2690	7.2950	22.0	HR	100-4-1371-1X	232511	100-4-1361-1 <i>Flanged end yoke</i>
SPL140 SERIES			E-127.7MM(5.027 IN.) D-49.2MM(1.936 IN.)			USE KIT SPL140X		
H.R. STYLE USE BEARING RETAINER NO. 140-70-18X								
1.9980-38 Involute Spline								
1.9980	2.7500	2.1250	.0770	25.0	HR			140-4-1021-1 <i>Flanged end yoke.</i>
1.9980	2.8100	2.7450	5.3700	—	HR			140-4-11-1 <i>.394 depth counterbore at hub end. Coupling Yoke.</i>
2.1140-32 Involute Spline								
2.1140	3.0000	2.2500	4.8100	25.0	HR	140-4-931-1X	232200	140-4-921-1 <i>.424 depth counterbore at hub end.</i>
2.1780-43 Involute Spline								
2.1780	3.5390	2.0500	5.1000	25.0	HR			140-4-761-1 <i>.157 depth counterbore at hub end.</i>
2.2740-44 Spline								
2.2740	3.0000	2.5000	2.1600	25.0	HR	140-4-331-1X	232511	140-4-321-1 <i>.236 depth counterbore at hub end.</i>
2.2740-44 Involute Spline								
2.2740	2.9380	2.3500	5.1900	25.0	HR	140-4-451-1X	232604	140-4-441-1
2.3740-46 Spline								
2.3740	3.2500	2.3230	5.6600	25.0	HR	140-4-311-1X	231803	140-4-301-1 <i>.150 depth counterbore at hub end.</i>
2.3900-46 Involute Spline								
2.3900	3.3120	2.7500	5.3740	25.0	HR			140-4-1011-1 <i>.157 depth counterbore at hub end.</i>
2.3900	3.5000	3.3750	5.9200	25.0	HR			140-4-751-1

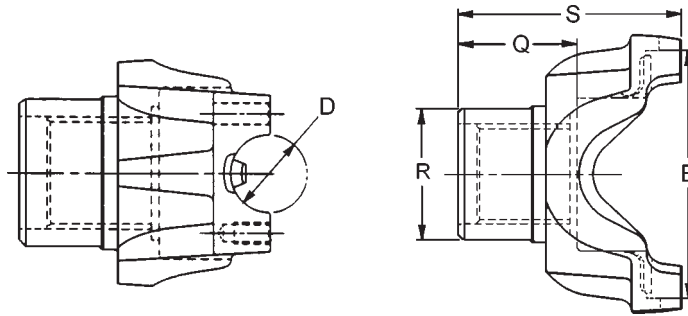


END YOKES with SPLINED HOLES



Major Diameter	R	Q	S	Joint Angle	Style	End Yoke Assy. (incl. slinger) Order When Listed	Slinger Part Number	Spicer Part Number
	Ground Hub Dia.	Length Thru Hole	Centerline to End					
SPL170 SERIES			E-164 MM (6.456 IN.) D-55 MM (2.166 IN.)			USE KIT SPL170X		
H.R. STYLE USE BEARING RETAINER KIT NO. 170-70-18X								
1.7900-34 Involute Spline								
1.7900	2.6250	2.4380	5.6000	25.0	HR	170-4-121-1X	232166	170-4-111-1 .250 depth counterbore at hub end.
1.9980-38 Involute Spline								
1.9980	2.7500	2.1250	4.8440	25.0	HR			170-4-541-1
2.0240-39 Spline								
2.0240	2.7500	2.0000	5.3700	45.0	HR	170-4-1261-1X	232042-2	170-4-1251-1 .120 depth counterbore at hub end.
2.0240	3.0000	2.3120	5.0900	25.0	HR	170-4-651-1X	231359	170-4-641-1 .105 depth counterbore at hub end.
2.0240	3.0000	2.3120	6.3910	45.0	HR	170-4-671-1X	231359	170-4-661-1 .105 depth counterbore at hub end.
2.0240	3.0000	2.3120	6.3910	45.0	HR	170-4-691-1X	232182	170-4-661-1 .105 depth counterbore at hub end.
2.0240-39 Involute Spline								
2.0240	2.6250	2.2500	4.9380	25.0	HR	170-4-161-1X	232167	170-4-151-1 .250 depth counterbore at hub end.
2.0240	2.6250	2.5000	5.2660	25.0	HR	170-4-221-1X	232514	170-4-211-1 .250 depth counterbore at hub end.
2.0240	2.6250	2.5000	6.5000	45.0	HR	170-4-241-1X	232514	170-4-231-1 .250 depth counterbore at hub end.
2.0240	3.0000	2.2500	5.0310	25.0	HR	170-4-851-1X	232199	170-4-841-1 .280 depth counterbore at hub end.
2.0240	3.0000	2.2500	5.0310	25.0	HR	170-4-861-1X	232200	170-4-841-1 .280 depth counterbore at hub end.
2.0240	3.0000	2.2500	6.2500	45.0	HR	170-4-811-1X	232200	170-4-801-1 .306 depth counterbore at hub end.
2.0240	3.0000	2.2810	5.1560	25.0	HR	170-4-261-1X	232511	170-4-251-1
2.0240	3.0000	2.2810	6.2400	45.0	HR	170-4-281-1X	232511	170-4-271-1
2.0240	3.0000	2.5000	5.2800	25.0	HR			170-4-821-1
2.0240	3.0000	2.5000	6.5000	45.0	HR			.280 depth counterbore at hub end. 170-4-831-1 .280 depth counterbore at hub end.
2.1140-32 Involute Spline								
2.1140	3.0000	2.2500	5.0000	25.0	HR	170-4-901-1X	232200	170-4-891-1 .424 depth counterbore at hub end.
2.1140	3.0000	2.2500	6.3120	45.0	HR	170-4-961-1X	232200	170-4-951-1 .424 depth counterbore at hub end.
2.1430-41 Involute Spline								
2.1430	2.9380	2.5000	5.3200	25.0	HR	170-4-361-1X	232604	170-4-351-1
2.1430	2.9380	2.5000	6.6800	45.0	HR	170-4-381-1X	232604	170-4-371-1
2.1780-43 Involute Spline								
2.1780	3.5400	2.0500	5.3400	25.0	HR			170-4-1081-1 .157 depth counterbore at hub end.
2.2250-6 Spline								
2.2250	3.0000	3.2500	6.0300	25.0	HR			170-4-1441-1
2.2740-44 Involute Spline								
2.2740	2.9380	2.3500	5.0940	25.0	HR	170-4-31-1X	232604	170-4-21-1
2.2740	2.9380	2.5000	5.2810	25.0	HR	170-4-101-1X	232168	170-4-91-1
2.2740	3.0000	2.5000	5.2700	25.0	HR	170-4-201-1X	232511	170-4-191-1 .236 depth counterbore at hub end.
2.3640-36 Involute Spline								
2.3640	3.5000	2.4850	5.2700	25.0	HR	170-4-1041-1X	232201	170-4-1031-1 .306 depth counterbore at hub end.
2.3740-46 Spline								
2.3740	3.2500	2.3280	5.1000	25.0	HR	170-4-721-1X	231803	170-4-711-1 .140 depth counterbore at hub end.
2.3740	3.2500	2.3280	6.4380	45.0	HR	170-4-741-1X	231803	170-4-731-1 .140 depth counterbore at hub end.
2.3740	3.2500	2.8750	5.7600	25.0	HR	170-4-591-1X	231615	170-4-571-1 .140 depth counterbore at hub end.





BS/CV/HR/UB Style

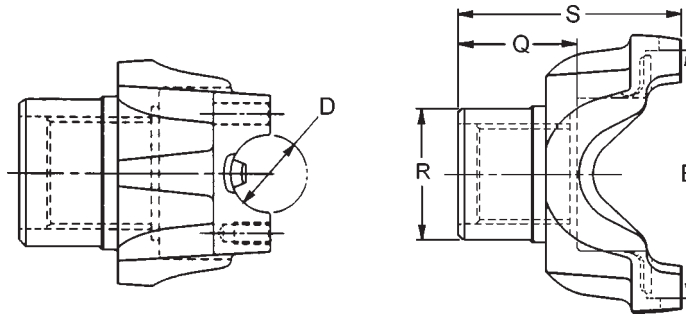
Major Diameter	R	Q	S	Joint Angle	Style	End Yoke Assy. (incl. slinger) Order When Listed	Slinger Part Number	Spicer Part Number
	Ground Hub Dia.	Length Thru Hole	Centerline to End					
SPL170 SERIES (Continued)			E-164 MM (6.456 IN.) D-55 MM (2.166 IN.)			USE KIT SPL170X		
H.R. STYLE USE BEARING RETAINER KIT NO. 170-70-18x								
2.3740	3.5000	2.4060	5.8800	25.0	HR	170-4-1221-1X	232042-10	170-4-1211-1
2.3740	3.5000	2.4060	6.6880	45.0	HR	170-4-1291-1X	232042-10	170-4-1281-1
2.3740	3.7500	2.4060	5.1900	25.0	HR	170-4-1191-1X	231528	170-4-1171-1
2.3900-46 Involute Spline								
2.3900	2.8790	2.7500	5.5900	25.0	HR			170-4-1271-1 <i>Coupling shaft yoke</i>
2.3900	3.3750	3.1950	6.5310	25.0	HR	170-4-301-1X	232610	170-4-291-1 <i>.580 depth counterbore at hub end.</i>
2.5000-10 Spline								
2.5000	3.7500	3.0000	5.7500	25.0	HR	170-4-481-1X	231616	170-4-471-1
2.5440-49 Involute Spline								
2.5440	3.7500	3.0000	6.0000	25.0	HR	170-4-421-1X	231616	170-4-411-1
2.7500-10 Spline								
2.7500	3.7500	3.0000	5.8440	25.0	HR	170-4-501-1X	230902	170-4-491-1
2.7500	3.7500	3.0000	5.8500	25.0	HR	170-4-521-1X	231616	170-4-511-1
2.7940-54 Involute Spline								
2.7940	3.8000	2.7500	5.6000	25.0	HR			170-4-561-1 <i>Hub diameter not ground.</i>
2.7950-55 Involute Spline								
2.7950	120.0000	52.0000	132.0000	25.0	HR			170-4-1091-1 <i>.150 depth counterbore at hub end.</i>
SPL250 SERIES			E-163 MM (6.412 IN.) D-60 MM (2.362 IN.)			USE KIT SPL250X		
H.R. STYLE USE STRAP KIT NO. 250-70-18X								
2.0240-39 Involute Spline								
2.0240	3.0000	2.2450	5.2400	25.0	HR	250-4-391-1X	232199	250-4-381-1 <i>.280 depth counterbore at hub end.</i>
2.2250-6 Spline								
2.2250	3.0000	3.2500	6.2400	25.0	HR	250-4-541-1X	829-W	250-4-531-1
2.2250	3.0000	3.2500	6.2500	25.0	HR			250-4-811-1
2.2740-44 Involute Spline								
2.2740	2.9380	2.3500	5.3280	25.0	HR	250-4-41-1X	232604	250-4-31-1
2.2740	2.9380	2.5000	5.4840	25.0	HR	250-4-61-1X	232168	250-4-51-1
2.2740	3.0000	2.5000	5.4900	25.0	HR	250-4-81-1X	232511	250-4-71-1 <i>.236 depth counterbore at hub end.</i>
2.3640-36 Involute Spline								
2.3640	3.0000	2.6850	5.6800	25.0	HR	250-4-371-1X	232199	250-4-361-1



END YOKES with SPLINED HOLES

Major Diameter	R	Q	S	Joint Angle	Style	End Yoke Assy. (incl. slinger) Order When Listed	Slinger Part Number	Spicer Part Number
	Ground Hub Dia.	Length Thru Hole	Centerline to End					
SPL250 SERIES (Continued)			E-163 MM (6.412 IN.) D-60 MM (2.362 IN.)			USE KIT SPL250X		
H.R. STYLE USE STRAP KIT NO. 250-70-18X								
2.3740-46 Spline								
2.3740	3.2500	2.3120	5.3120	25.0	HR	250-4-351-1X	231803	250-4-341-1 .140 depth counterbore at hub end.
2.3740	3.2500	2.8750	5.8700	25.0	HR	250-4-291-1X	231179	250-4-281-1 .140 depth counterbore at hub end.
2.3740	3.5000	2.4060	6.1400	25.0	HR	250-4-651-1X	232042-10	250-4-641-1
2.3900-46 Involute Spline								
2.3900	3.3440	2.7500	5.7500	25.0	HR			250-4-21-1 .157 depth counterbore at hub end. Coupling shaft yoke.
2.3900	3.3750	3.1950	6.7600	25.0	HR	250-4-101-1X	232610	250-4-91-1 .580 depth counterbore at hub end.
2.5000-10 Spline								
2.5000	3.7500	3.0000	6.0620	—	HR	250-4-201-1X	231616	250-4-191-1
2.5000	3.7500	3.0000	6.2500	25.0	HR			250-4-561-1 W/speedometer gear hub
2.7500-10 Spline								
2.7500	3.7500	3.0000	6.2970	25.0	HR	250-4-241-1X	231616	250-4-231-1
2.7940-54 Involute Spline								
2.7940	—	2.7500	5.7030	25.0	HR			250-4-271-1
SPL55 SERIES			SR STYLE E-4.438 ALL OTHERS E-4.188, D-1.375			USE KIT SPL55-1X		
USE U-BOLT ASSY 3-94-28X, STRAP ASSY 3-70-38X								
1.5670-36 Involute Spline								
1.5670	2.6180	1.9800	4.0250	30.0	HR			55-4-11-1 Coupling shaft yoke.
SPL70 SERIES			E-4.964, D-1.375			USE KIT SPL70-1X		
USE U-BOLT ASSY 3-94-28X, STRAP ASSY 3-70-38X								
1.7830-34 Involute Spline								
1.7830	2.9400	2.2360	4.2440	22.5	HR			70-4-11-1 Coupling shaft yoke
SPL90 SERIES			SR STYLE E-5.375 ALL OTHERS E-4.957, D-1.625			USE KIT SPL90X		
USES STRAP ASSY. 90-70-28X								
1.7500-10 Spline								
1.7500	2.5000	1.9380	4.1250	15.0	HR			90-4-371-1
1.7510-27 Involute Spline								
1.7510	2.5000	2.0800	4.1000	15.5	BS			90-4-711-1
1.7740-34 Involute Spline								
1.7740	2.5000	2.2500	4.1100	15.0	HR	90-4-761-1X	231206	90-4-751-1
1.7900-34 Involute Spline								
1.7900	2.3750	2.1880	5.6250	15.0	HR	90-4-551-1X	232198	90-4-541-1
1.7900	2.5000	2.2500	4.0620	15.0	HR			90-4-11-1 Coupling shaft yoke
1.7900	2.5620	2.7500	5.6090	15.0	HR	90-4-191-1X	231059(PLUG)	90-4-181-1
1.7900	2.5620	2.7500	5.6250	15.0	HR	90-4-501-1X	231059(PLUG)	90-4-461-1
1.9620-10 Spline								
1.9620	2.6250	2.2500	5.0940	15.0	HR	90-4-211-1X	230909	90-4-201-1
1.9620	2.7500	2.7810	4.9840	15.0	HR			90-4-381-1
1.9980-38 Involute Spline								
1.9980	2.7500	2.1250	4.0000	15.0	HR			90-4-71-1
1.9980	2.7500	2.1250	4.2500	15.0	HR			90-4-391-1
1.9980	2.7500	2.1250	7.5620	22.0	HR			90-4-111-1 Flanged end yoke.
1.9980	3.0000	2.1250	4.2500	15.0	HR	90-4-571-1X	232200	90-4-561-1
2.0000-10 Spline								
2.0000	2.7500	3.0000	4.9690	15.0	HR			90-4-21-1
2.0240-39 Spline								
2.0240	3.0000	2.3120	4.6250	15.0	HR	90-4-321-1X	231358	90-4-311-1



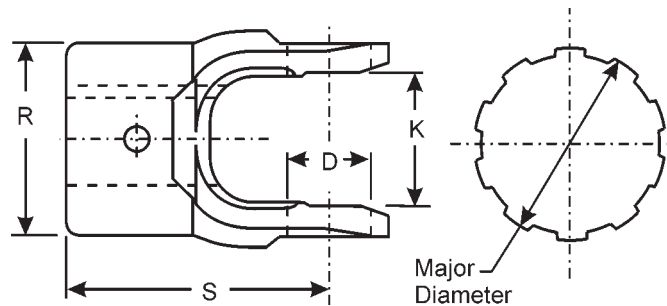


BS/CV/HR/UB Style

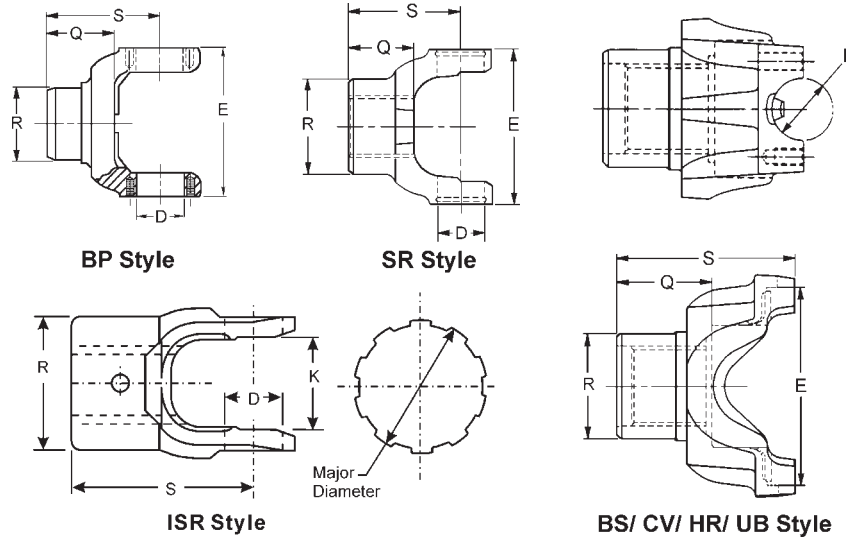
Major Diameter	R	Q	S	Joint Angle	Style	End Yoke Assy. (incl. slinger) Order When Listed	Slinger Part Number	Spicer Part Number
	Ground Hub Dia.	Length Thru Hole	Centerline to End					
SPL90 SERIES (Continued)			SR STYLE E-5.375 ALL OTHERS E-4.957, D-1.625			USE KIT SPL90X		
USES STRAP ASSY. 90-70-28X								
2.0240-39 Involute Spline								
2.0240	2.6265	2.2450	4.1600	15.0	HR	90-4-631-1X		90-4-621-1
2.0240	3.0000	2.2810	4.7500	15.0	HR	90-4-251-1X	232511	90-4-241-1
<i>.250 depth counterbore at hub end.</i>								
2.1140-32 Involute Spline								
2.1140	3.0000	2.2500	4.3750	15.0	HR	90-4-591-1X	232200	90-4-581-1
<i>.424 depth counterbore at hub end.</i>								
2.1780-43 Involute Spline								
2.1780	3.5470	2.0310	4.6250	15.0	HR			90-4-791-1
<i>.157 depth counterbore at hub end.</i>								
2.2500-10 Spline								
2.2500	3.7500	3.0000	5.2190	15.0	HR	90-4-171-1X	231616	90-4-161-1
2.3640-36 Involute Spline								
2.3640	3.0000	2.6880	4.8120	15.0	HR	90-4-611-1X	232200	90-4-601-1
2.3740-46 Involute Spline								
2.3740	3.2500	2.3120	4.6410	15.0	HR	90-4-341-1X	231803	90-4-331-1
2.3740	3.2500	2.8750	5.1880	15.0	HR	90-4-361-1X	231615	90-4-351-1



END YOKES with SPLINED HOLES



Major Diameter	R	Set Screw Diameter	Pin Hole Diameter	Location Viewed From Hub	S	Spicer Part Number
	Ground Hub Dia.				Centerline to End of Hub	
1000 SERIES		K-1.500	D-.938			USE KIT 5-170X
.8750-13 Spline						
.8750	1.5000	.2500	—	6	3.8120	10-4-641
	1.6250	.3750	—	6	2.5000	10-4-481
1.0000-6 Spline						
1.000	1.6250	.3750	—	3	2.5000	10-4-101
				<i>375 Dia. set screw @ 3 OR 9, hub diameter not ground.</i>		
1.1250-6 Spline						
1.6250	—	.3280	THRU HUB		2.5000	10-4-11
				<i>.328 Dia. pin hole thru hub, hub diameter not ground</i>		
1.2500-6 Spline						
1.6250	—	.3280	THRU HUB		2.5000	10-4-21
				<i>.328 Dia. pin hole thru hub, hub diameter not ground</i>		
1.3750-6 Spline						
2.0000	—	.3280	THRU HUB		2.5000	10-4-31
				<i>.328 Dia. pin hole thru hub, hub diameter not ground</i>		



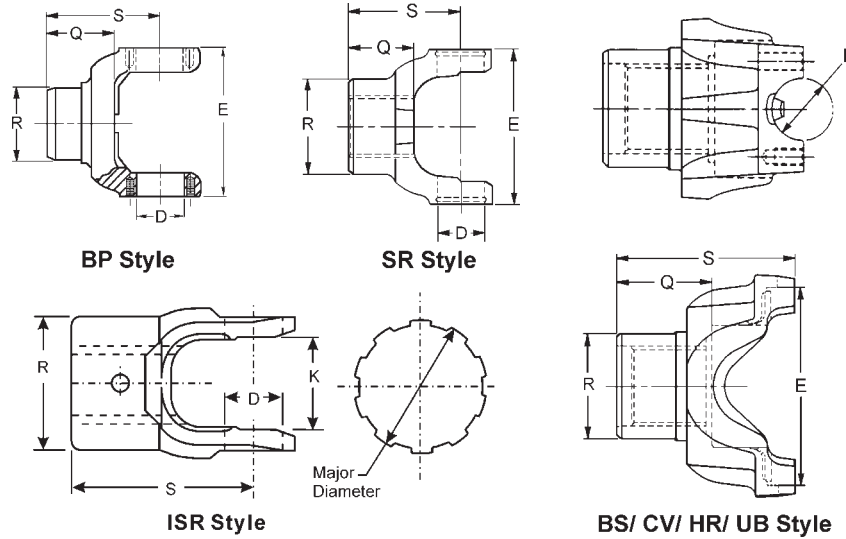
Major Diameter	R	Q	S	Joint Angle	Style	End Yoke Assy. (incl. slinger) Order When Listed	Slinter Part Number	Spicer Part Number	
	Ground Hub Dia.	Length Thru Hole	Centerline to End						
1100 SERIES					E-2.656 D-.938	USE KIT 5-101X OR 5-111X			
.8780-13 Involute Spline									
.8780	2.0000	1.2500	2.2500	30.0	SR			1-4-1201	
1210 SERIES					E-2.438 D-1.062	USE KIT 5-443X			
USES U-BOLT ASSY. 2-94-28X, STRAP ASSY. 2-70-18X									
.9840-22 Involute Spline									
.9840	1.5470	1.2970	2.2970	31.5	BS	2-4-7221-1X	42735	2-4-7111-1	
1.0310-23 Involute Spline									
1.0310	1.5620	1.5000	3.0630	17.5	BS	2-4-5921-1X	41498	2-4-5911-1	
1.1460-26 Involute Spline									
1.1460	1.5940	1.5940	2.9380	17.0	BS	2-4-6731-1X	231596	2-4-6721-1	
1.1460	1.6250	1.1560	2.7500	—	BS			<i>Hub diameter not ground.</i> 2-4-5901-1	
1.1460	1.6250	1.1560	3.3750	15.0	CV			2-4-5891	
1.1460	1.7500	1.3750	2.9380	17.0	BS			2-4-6191-1	
<i>Hub diameter not ground. Coupling shaft yoke.</i>									
1240 SERIES					E-2.875 D-1.125	USE KIT NO 5-129X			
1.2500-6 Spline									
1.2500	2.3750	1.7500	3.3750	—				2-4-3081	
1.3750-21 Spline									
1.3750	1.9380	2.1250	3.7500	—				2-4-4261	
1.3750	2.1250	1.6250	3.3750	—				2-4-3981	
1.3750-6 Spline									
1.3750	2.0000	2.5620	4.1880	—				2-4-3101	
1310 SERIES					SR STYLE E-3.469 ALL OTHERS E-3.219, D-1.062	USE KIT 5-153X			
USES U-BOLT ASSY. 2-94-28X, STRAP ASSY. 2-70-18X									
.8750-36 Involute Spline									
.8750	1.3750	1.0000	2.5620	—	SR			2-4-8061	
<i>Steering yoke</i>									
.8780-13 Involute Spline									
.8780	2.0000	1.5670	2.5620	30.0	SR			2-4-3331	
<i>.375 Diameter set screw.</i>									
.9700-29 Involute Spline									
.9700	1.5000	1.5000	3.0000	30.0	BS			2-4-8031-1	
<i>.299 depth counterbore at hub end.</i>									
.9840-10 Spline									
.9840	1.5620	1.9380	3.6560	22.0	UB			2-4-1721	



END YOKES with SPLINED HOLES

Major Diameter	R	Q	S	Joint Angle	Style	End Yoke Assy. (incl. slinger) Order When Listed	Slinger Part Number	Spicer Part Number
	Ground Hub Dia.	Length Thru Hole	Centerline to End					
1310 SERIES (Continued)			SR STYLE E-3.469 ALL OTHERS E-3.219, D-1.062				USE KIT 5-153X	
USES U-BOLT ASSY. 2-94-28X, STRAP ASSY. 2-70-18X								
1.0100-15 Involute Spline								
1.0100	1.5940	2.6560	3.5620	17.0	SR			2-4-4931
1.0100	2.0000	1.0620	2.3120	20.0	SR			2-4-4921
1.0100	2.1200	1.4700	2.5000	—	SR			2-4-8241
<i>.375 Diameter set screw.</i>								
1.0310-23 Involute Spline								
1.0310	1.5620	1.5000	3.0000	30.0	BS	2-4-6131-1X	41498	2-4-6121-1
1.0700-16 Involute Spline								
1.0700	1.6250	1.7500	3.2190	—	BS	2-4-6981-1X	231901	2-4-6661-1
<i>.201 depth counterbore at hub end.</i>								
1.1250-10 Spline								
1.1250	1.5470	1.5000	3.0000	25.0	UB	2-4-2691X	330851	2-4-2681
<i>.310 depth counterbore at hub end.</i>								
1.1250	1.5620	1.5000	3.0000	13.0	CV	2-4-4061X	330699	2-4-4051
<i>C-V yoke.</i>								
1.1250	1.5620	1.5000	3.0000	25.0	UB	2-4-2851X	330851	2-4-2841
<i>.310 depth counterbore at hub end.</i>								
1.1250	1.5620	1.5000	3.0000	25.0	UB	2-4-2821X	15099	2-4-2791
1.1250	1.5620	1.5000	3.0000	25.0	UB	2-4-2801X	31875	2-4-2791
1.1460-26 Involute Spline								
1.1460	1.3750	1.3700	3.1300	—	BS	2-4-8551-1X	232816	2-4-8521-1
<i>.120 depth counterbore at hub end.</i>								
1.1460	1.3750	1.7500	3.1250	—	SR			2-4-3161
1.1460	1.4530	1.5000	3.0000	30.0	BS	2-4-6411-1X	231877	2-4-6401-1
1.1460	1.4690	1.4650	3.5000	45.0	BS	2-4-8191-1X	231579	2-4-8181-1
1.1460	1.4690	1.4840	3.5000	—	BS	2-4-7501-1X	231759	2-4-7491-1
1.1460	1.4840	1.4840	3.0000	—	BS	2-4-7291-1X	232020	2-4-7401-1
<i>Coupling shaft yoke</i>								
1.1460	1.5000	1.4690	3.0000	18.0	CV			2-4-7711
1.1460	1.5000	1.4690	3.0000	28.0	BS			2-4-7021-1
<i>Hub diameter not ground.</i>								
1.1460	1.5130	2.0000	3.3000	26.0	SR	2-4-8171X	232184	2-4-8161
<i>Coupling shaft yoke</i>								
1.1460	1.5130	2.0000	3.3000	26.0	SR			2-4-8161
<i>Coupling shaft yoke</i>								
1.1460	1.5470	1.5000	3.0000	22.5	BS	2-4-8091-1X	41498	2-4-8081-1
1.1460	1.5470	1.5000	3.0000	22.5	UB	2-4-8091X	41498	2-4-8081
1.1460	1.5470	1.5000	3.0000	25.5	UB			2-4-7871
1.1460	1.5470	1.5000	3.2500	—	BS			2-4-8141-1
1.1460	1.5470	1.5000	3.4060	22.0	UB	2-4-5251X	41498	2-4-5241
<i>Spec. yoke w/1.125 dia. brg. caps</i>								
1.1460	1.5510	1.4720	2.9570	—	BS	2-4-8581-1X	232982	2-4-8571-1
1.1460	1.5510	1.4720	2.9570	—	BS			2-4-8571-1
1.1460	1.5520	1.4950	2.9950	28.5	BS			2-4-6561-1
1.1460	1.5520	1.5000	2.9140	—	BS			2-4-8321-1
1.1460	1.5520	1.5000	2.9140	—	BS	2-4-8381-1X	15099	2-4-8321-1
1.1460	1.5540	1.5000	3.1560	30.0	BS	2-4-5331X	15099	2-4-5321
1.1460	1.5620	1.5000	3.0000	13.0	CV			2-4-4341
<i>C-V yoke.</i>								
1.1460	1.5620	1.5000	3.0000	25.0	BS	2-4-2281-1X	15099	2-4-2271-1
1.1460	1.5620	1.5000	3.0000	25.0	UB	2-4-2461X	31875	2-4-2271
1.1460	1.5620	1.5000	3.0000	28.0	BS			2-4-6781-1
1.1460	1.5620	1.5000	3.0000	30.0	BS			2-4-6641-1
1.1460	1.6090	1.5000	3.0000	35.0	BS	2-4-6181-1X	231888	2-4-6171-1
1.1460	1.8440	1.3700	3.1300	26.0	BS			2-4-7991-1
<i>.120 depth counterbore at hub end.</i>								
1.1460	1.8440	1.3700	3.2350	—	BS			2-4-8311-1
<i>.120 depth counterbore at hub end.</i>								
1.1460	1.8440	1.3750	2.9380	—	BS			2-4-8131-1
<i>.120 depth counterbore at hub end.</i>								





Major Diameter	R	Q	S	Joint Angle	Style	End Yoke Assy. (incl. slinger) Order When Listed	Slinter Part Number	Spicer Part Number
	Ground Hub Dia.	Length Thru Hole	Centerline to End					
1310 SERIES (Continued)			SR STYLE E-3.469 ALL OTHERS E-3.219, D-1.062			USE KIT 5-153X		
USES U-BOLT ASSY. 2-94-28X, STRAP ASSY. 2-70-18X								
1.1460-26 Involute Spline (Continued)								
1.1460	1.8440	1.3750	2.9380	22.0	BS		2-4-4601-1	
1.1460	1.8440	1.3750	2.9380	23.0	BS	2-4-7881-1X	.120 depth counterbore at hub end. 46914	2-4-6891-1
1.1460	1.8440	1.3750	2.9380	23.0	BS	2-4-6901-1X	.120 depth counterbore at hub end. 42779	2-4-6891-1
1.1460	1.8440	1.3750	3.2500	30.0	BS		.120 depth counterbore at hub end. 2-4-7301-1	
1.1720-27 Involute Spline								
1.1720	1.6880	1.0620	2.7500	22.0	BS			2-4-5851-1
1.1720	1.6880	1.0620	3.0900	30.0	BS			2-4-7751-1
1.1720-9 Based On 10 Spline								
1.1720	1.2500	1.4380	2.4690	—	SR			2-4-1921 Hub diameter not ground.
1.1810-10 Spline								
1.1810	1.5620	1.5000	3.0000	30.0	UB			2-4-3701
1.1830-6 Spline								
1.1830	1.6200	1.2500	2.9350	30.0	UB			2-4-1301 .188 Dia drilled hole thru hub
1.2150-18 Involute Spline								
1.2150	2.1200	1.5000	2.5620	31.5	SR			2-4-6301 Hub diameter not ground.
1.2150-28 Involute Spline								
1.2150	1.5000	2.8440	4.7500	31.5	UB			2-4-6291 .860 depth counterbore at hub end.
1.2290-28 Involute Spline								
1.2290	1.8440	1.3750	2.9380	22.0	BS	2-4-7371-1X	231935-1	2-4-6161-1 .200 depth counterbore at hub end.
1.2290	1.8440	1.3750	2.9380	22.0	BS		230865	2-4-3741-1 .120 depth counterbore at hub end.
1.2290	1.8440	1.3750	2.9380	22.0	UB		230865	2-4-3741 .120 depth counterbore at hub end.
1.2500-Spline								
1.2500	1.7500	2.0000	3.3750	13.0	CV	2-4-4021X	230881	2-4-4011 C-V yoke.
1.2500	1.7500	2.0000	3.6250	22.0	UB			2-4-1831
1.2500	1.8750	1.5000	2.9380	22.0	UB	2-4-1991X	30798	2-4-1981
1.2500	1.8750	1.5000	2.9380	22.0	UB	2-4-2611X	230421	2-4-2601
1.2500	2.0000	1.7500	3.2810	30.0	UB	2-4-4471X	500166-24	2-4-2901
1.2500	2.0000	1.7500	3.6250	33.0	UB			2-4-7731

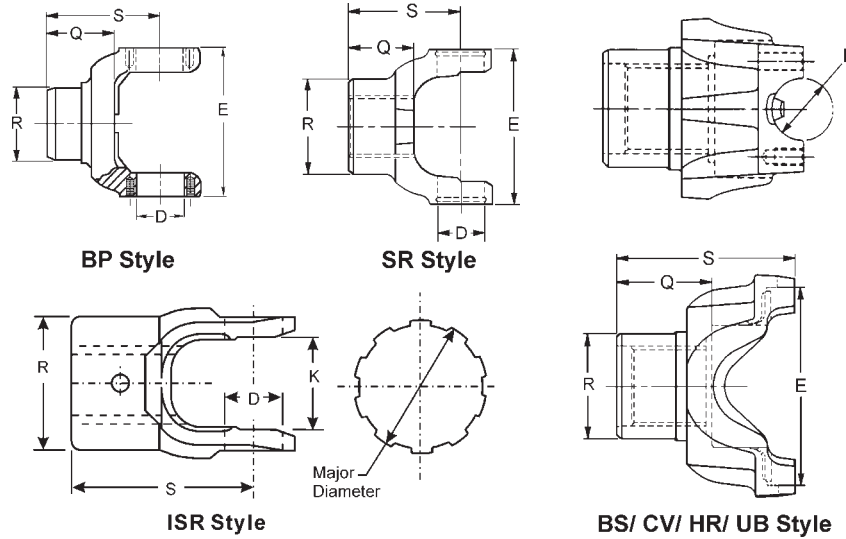


END YOKES with SPLINED HOLES



Major Diameter	R	Q	S	Joint Angle	Style	End Yoke Assy. (incl. slinger) Order When Listed	Slinger Part Number	Spicer Part Number
	Ground Hub Dia.	Length Thru Hole	Centerline to End					
1310 SERIES (Continued)			SR STYLE E-3.469 ALL OTHERS E-3.219, D-1.062				USE KIT 5-153X	
USES U-BOLT ASSY. 2-94-28X, STRAP ASSY. 2-70-18X								
1.2500-Spline (Continued)								
1.2500	2.0000	1.7500	3.6250	33.0	UB			2-4-7061
1.2600-23 Involute Spline								
1.2600	1.5620	1.6250	3.0620	22.0	UB			2-4-4441
<i>.360 depth counterbore at hub end.</i>								
1.2680-14 Involute Spline								
1.2680	2.0000	2.5000	3.6880	—	SR			2-4-5411
<i>.375 Dia.set screw @ 6 OR 12, hub diameter not ground.</i>								
1.2680	2.1200	1.5000	2.5620	17.0	SR			2-4-1741
1.2680	2.1250	1.9530	3.4530	29.0	BS			2-4-7141-1
1.2740-19 Involute Spline								
1.2740	2.0000	1.3440	2.5000	20.0	SR			2-4-6341
<i>Hub diameter not ground.</i>								
1.2760-29 Involute Spline								
1.2760	1.8750	1.5000	2.5310	18.0	UB	2-4-3781X	30798	2-4-3771
1.2760	1.8750	1.5000	2.9380	18.0	BS	2-4-3801-1X	34592	2-4-3791-1
1.2760	1.8750	1.5000	2.9380	18.0	UB	2-4-3801X	34592	2-4-3791
1.2760	1.8750	1.5000	2.9380	22.0	BS	2-4-6551-1X	34592	2-4-6541-1
1.2760	1.8750	1.5000	2.9964	—	BS	2-4-8391-1X	34592	2-4-8331-1
1.2760	2.0000	1.0600	2.5600	17.0	SR			2-4-6881
1.3260-30 Involute Spline								
1.3260	1.7500	2.0000	3.3750	13.0	CV	2-4-5421X	230881	2-4-4801
<i>C-V yoke.</i>								
1.3750-10 Spline								
1.3750	1.7190	1.5000	2.9380	30.0	UB			2-4-411
1.3750	1.7810	1.7500	3.3750	13.0	CV			2-4-5701
<i>Hub diameter not ground.</i>								
1.3750	2.0000	2.0000	3.4380	20.0	UB			2-4-2371
<i>.250 depth counterbore at hub end.</i>								
1.3750	2.0630	1.7500	3.2190	21.0	UB			2-4-2671
<i>Coupling shaft yoke</i>								
1.3750	2.1250	1.1560	2.5940	22.0	BS			2-4-6001-1
1.3750	2.1250	1.3750	2.9380	—	UB			2-4-6011
1.3750	2.1250	1.3750	2.9380	24.0	UB			2-4-7381
1.3750	2.1250	1.3750	2.9380	24.0	UB			2-4-7151
1.3750	2.1250	2.0000	3.4380	20.0	BS			2-4-2401
1.3750	2.1250	2.0000	3.4380	20.0	UB	2-4-2411X	230421	2-4-2401
1.3750	2.1250	2.0000	3.4380	22.0	UB			2-4-1731
<i>Hub diameter not ground.</i>								
1.3750	2.1250	3.3120	4.8750	—	SR			2-4-237
1.3750-6 Spline								
1.3750	2.1250	1.5000	2.9690	—	UB			2-4-1311
1.3770-21 Involute Spline								
1.3770	2.1250	1.4690	2.5620	17.0	SR			2-4-5781
<i>Hub diameter not ground.</i>								
1.4000-32 Involute Spline								
1.4000	2.1250	2.0000	3.4380	22.0	UB			2-4-4191
1.4010-32 Involute Spline								
1.4010	1.8750	2.0000	3.8750	13.0	CV			2-4-5341
<i>C-V yoke.</i>								
1.4010	2.0000	2.0000	3.4380	20.0	UB			2-4-5141
1.4030-21 Involute Spline								
1.4030	1.8750	1.5620	3.0000	13.0	CV			2-4-5091
<i>Flats on hub, slot thru hub, drilled hole thru hub</i>								
1.4030	2.1250	1.1250	2.5940	35.0	BS			2-4-5991-1
1.4090-10 Involute Spline								
1.4090	1.7500	1.5000	2.9350	30.0	UB			2-4-3181
1.5000-10 Spline								
1.5000	2.1250	1.7340	3.5000	30.0	BS			2-4-7181-1
<i>Hub diameter not ground.</i>								





Major Diameter	R	Q	S	Joint Angle	Style	End Yoke Assy. (incl. slinger) Order When Listed	Slinter Part Number	Spicer Part Number	
	Ground Hub Dia.	Length Thru Hole	Centerline to End						
1330 SERIES									
SR STYLE E-3.875 ALL OTHERS E-3.625, D-1.062					USE KIT 5-213X				
USES U-BOLT ASSY. 2-94-28X, STRAP ASSY. 2-70-18X									
1.1460-26 Involute Spline									
1.1460	1.5620	1.5000	3.0000	20.0	UB	2-4-3581X	41498	2-4-3571	
1.1460	1.5620	1.6880	3.1880	—	BS			2-4-8431-1	
1.1460	1.8440	1.3750	3.5620	40.0	BS			2-4-7631-1	
<i>.120 depth counterbore at hub end.</i>									
1.1720-27 Involute Spline									
1.1720	1.6880	.0210	.0310	—	BS			2-4-8451-1	
1.2020-17 Involute Spline									
1.2020	1.6880	1.7190	3.1880	20.0	BS	2-4-5691-1X	231302	2-4-5681-1	
<i>.460 depth counterbore at hub end.</i>									
1.2290-28 Involute Spline									
1.2290	1.8440	1.3750	2.9380	18.0	BS	2-4-7031-1X	231935-1	2-4-6851-1	
<i>.120 depth counterbore at hub end.</i>									
1.2760-29 Involute Spline									
1.2760	1.8750	1.5000	2.9380	20.0	UB	2-4-3671X	230421	2-4-3661	
1.2760	1.8750	1.5000	2.9690	—	UB	2-4-4291X	34592	2-4-4031	
1.2760	1.8750	1.7000	3.1880	—	BS			2-4-8421-1	
1.3750-10 Spline									
1.3750	2.0000	1.7500	3.1880	20.0	UB			2-4-4071	
<i>Coupling shaft yoke</i>									
1.3750	2.1250	2.0000	3.4400	20.0	UB	2-4-2561X	230421	2-4-2551	
1.4010-32 Involute Spline									
1.4010	1.8750	2.0000	3.8750	13.0	CV			2-4-5441	
<i>C-V yoke.</i>									
1.4010	2.1250	2.0000	3.4380	20.0	UB			2-4-5521	
1.4030-21 Involute Spline									
1.4030	1.9060	1.7190	3.5940	35.0	CV			2-4-6221	
<i>Flats on hub, slot thru hub, drilled hole thru hub</i>									
1.4030	2.0000	2.5310	4.0620	26.0	CV			2-4-6231	
<i>Hub diameter not ground.</i>									
1.4980-29 Involute Spline									
1.4980	1.9690	2.8280	4.9800	—	UB			2-4-7581	
<i>.848 depth counterbore at hub end.</i>									

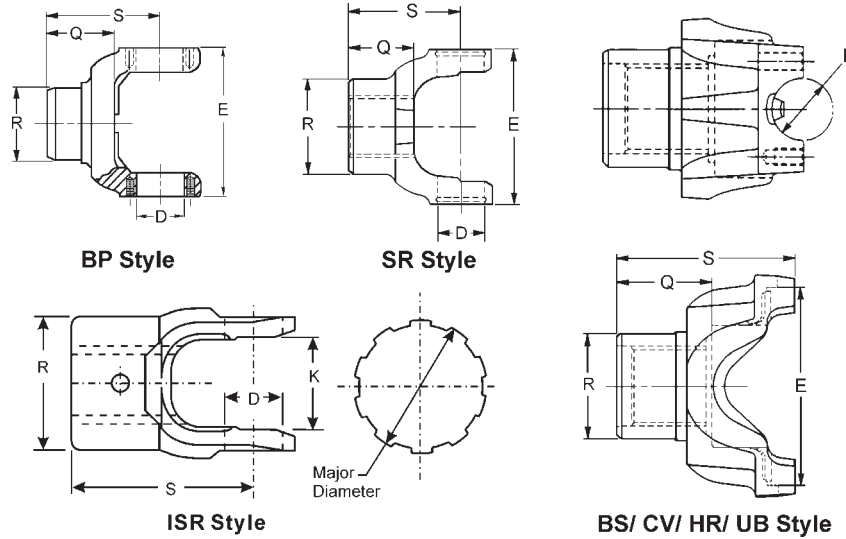


END YOKES with SPLINED HOLES



Major Diameter	R	Q	S	Joint Angle	Style	End Yoke Assy. (incl. slinger) Order When Listed	Slinger Part Number	Spicer Part Number
	Ground Hub Dia.	Length Thru Hole	Centerline to End					
1330-F SERIES			SR STYLE E-3.875 ALL OTHERS E-3.625 D-1.125				USE KIT 5-1204X	
USES U-BOLT ASSY NO. 2-94-58X								
1.1460-26 Involute Spline								
1.1460	1.5620	1.5000	3.0000	20.0	UB	2-4-6111X	41498	2-4-6101
1.2760-29 Involute Spline								
1.2760	1.8750	1.5000	2.9380	18.5	UB	2-4-8051X	41195	2-4-8041
1.2760	1.8750	1.5000	2.9380	20.0	UB	2-4-5311X	34592	2-4-5301
1340 SERIES			E-3.953 D-1.250				USE KIT NO. 5-243X	
1.3750-21 Spline								
1.3750	2.3750	1.8750	3.8750	—				3-4-5221
1.3750-6 Spline								
1.3750	2.3750	1.7500	3.8750	—				3-4-5341
1.3750	2.3750	1.8750	3.8750	—				3-4-5101
1350 SERIES			SR STYLE E-3.875 ALL OTHERS E-3.625, D-1.188				USE KIT 5-178X	
USES U-BOLT ASSY. 3-94-18X, STRAP ASSY. 3-70-28X								
.9700-29 Involute Spline								
.9700	1.5000	1.5000	3.5470	22.5	BS			3-4-11721-1 .299 depth counterbore at hub end.
1.1250-10 Spline								
1.1250	1.5470	1.5000	3.0000	20.0	UB			3-4-2111
1.1250-10 Spline								
1.1250	1.5520	1.5000	3.0000	—	BS			3-4-2111-1
1.1460-26 Involute Spline								
1.1460	1.5500	1.5000	3.0000	20.5	BS			3-4-13761-1
1.1460	1.5620	1.5000	3.0000	20.0	UB	3-4-5761X	15099	3-4-5751
1.1460	1.5620	1.5000	3.0000	20.5	BS	3-4-5761-1X	15099	3-4-5751-1
1.1810-10 Spline								
1.1810	1.8750	1.6560	3.1250	22.0	BS			3-4-2051-1
1.1940-46 Involute Spline								
1.1940	2.0000	2.2030	3.9380	24.0	BS			3-4-9821-1
1.2090-27 Involute Spline								
1.2090	1.5160	1.4690	3.2500	—	BS	3-4-11911-1X	232064	3-4-9941-1
1.2090	1.5160	1.4690	3.2500	—	BS			3-4-9941-1
1.2090	1.5160	1.4690	3.3280	—	BS	3-4-11231-1X	231636	3-4-11221-1 .290 depth counterbore at hub end.
1.2090	1.5200	1.4750	3.3390	—	BS	3-4-14571-1X	233001	3-4-14561-1 .290 depth counterbore at hub end.
1.2290-28 Involute Spline								
1.2290	1.8440	1.3750	3.0310	20.5	BS	3-4-11931-1X	231935-1	3-4-11901-1 .200 depth counterbore at hub end.
1.2680-14 Involute Spline								
1.2680	—	—	2.6880	20.0	SR			3-4-13161
1.2760-29 Involute Spline								
1.2760	1.8750	1.5000	3.0000	22.5	BS			3-4-12211-1
1.2760	1.8750	1.5000	3.0000	22.5	BS	3-4-5731-1X	34592	3-4-5721-1
1.2760	1.8750	1.5000	3.0000	22.5	BS	3-4-13031-1X	45799	3-4-12771-1
1.2760	1.8750	1.5000	3.0000	22.5	BS	3-4-13031-2X	45799	3-4-12771-2 Attaching hardware by OEM
1.2820-15 Involute Spline								
1.2820	1.8100	1.4500	3.0300	—	BS			3-4-11421-1 Hub diameter not ground.
1.2820	1.8120	1.6000	3.0310	—	BS			3-4-11441-1 Hub diameter not ground.
1.2840-14 Involute Spline								
1.2840	2.0000	1.4380	2.6880	20.0	SR	3-4-5391X	230859	3-4-5301
1.2840	2.0000	2.6880	2.6880	20.0	SR			3-4-7401
.375 Dia. set screw @ 6 OR 12, hub diameter not ground.								





Major Diameter	R	Q	S	Joint Angle	Style	End Yoke Assy. (incl. slinger) Order When Listed	Slinter Part Number	Spicer Part Number
	Ground Hub Dia.	Length Thru Hole	Centerline to End					

1350 SERIES (Continued) SR STYLE E-3.875 ALL OTHERS E-3.625, D-1.188 USE KIT 5-178X

USES U-BOLT ASSY. 3-94-18X, STRAP ASSY. 3-70-28X

1.3120-30 Involute Spline

1.3120	1.9380	1.1560	3.1250	22.0	BS	3-4-8691-1X	231356	3-4-8681-1
--------	--------	--------	--------	------	----	-------------	--------	------------

1.3750-10 Spline

1.3750	1.7030	1.3750	2.9220	20.5	BS			3-4-11711-1
1.3750	1.7190	1.7810	3.2810	20.5	BS	3-4-178-1X	98-1473	3-4-2171-1
								<i>Coupling shaft yoke</i>
1.3750	1.7190	2.0000	3.5000	22.0	BS			3-4-1261-1
1.3750	1.7500	1.8120	3.3120	20.5	UB			3-4-1111
1.3750	1.9380	2.0000	3.5000	22.0	UB			3-4-1301
1.3750	2.0000	2.0000	3.5000	22.0	UB			3-4-1211

.250 depth counterbore at hub end.

.250 depth counterbore at hub end.

1.3750	2.0000	2.1880	4.2810	22.0	UB			3-4-1371
--------	--------	--------	--------	------	----	--	--	----------

1.3750	2.1250	2.0000	3.5000	22.0	UB			3-4-3951
--------	--------	--------	--------	------	----	--	--	----------

1.3750	2.1250	2.0000	3.6880	22.5	UB			3-4-3291
--------	--------	--------	--------	------	----	--	--	----------

1.3750	2.1250	2.6880	4.7500	20.0	BS	3-4-14141-1X		3-4-14131-1
--------	--------	--------	--------	------	----	--------------	--	-------------

1.3750-10 Spline

1.3750	1.7500	1.8120	3.3120	—	BS			3-4-1111-1
--------	--------	--------	--------	---	----	--	--	------------

1.3750	2.1250	1.7500	3.4380	16.0	UB	3-4-8941X	231467	3-4-3921
--------	--------	--------	--------	------	----	-----------	--------	----------

1.3750	2.1250	2.0000	3.5000	22.5	BS			3-4-3951-1
--------	--------	--------	--------	------	----	--	--	------------

1.3780-31 Based On 32 Spline

1.3780	1.8750	4.0940	5.5940	22.5	BS			3-4-13731-1
--------	--------	--------	--------	------	----	--	--	-------------

Uses GM brg.strap. Nickle Plated

1.3780	1.8850	4.0940	5.5940	22.5	BS			3-4-13211-1
--------	--------	--------	--------	------	----	--	--	-------------

Uses GM brg.strap

1.3780-32 Involute Spline

1.3780	2.0000	1.3750	3.0000	—	SR			3-4-12611
--------	--------	--------	--------	---	----	--	--	-----------

1.4010-32 Involute Spline

1.4010	2.1250	2.0000	3.5000	22.0	UB			3-4-6211
--------	--------	--------	--------	------	----	--	--	----------

1.4010	2.1250	2.7190	4.7500	—	UB			3-4-7241
--------	--------	--------	--------	---	----	--	--	----------

1.4030-21 Involute Spline

1.4030	1.9380	1.9380	3.8440	—	BS	3-4-13011-1X	2-68-104	3-4-13001-1
--------	--------	--------	--------	---	----	--------------	----------	-------------

1.4030	2.0000	1.2340	2.9530	—	BS			3-4-10591-1
--------	--------	--------	--------	---	----	--	--	-------------

1.4980-29 Involute Spline

1.4980	1.9690	1.8280	3.9220	22.0	BS			3-4-10281-1
--------	--------	--------	--------	------	----	--	--	-------------

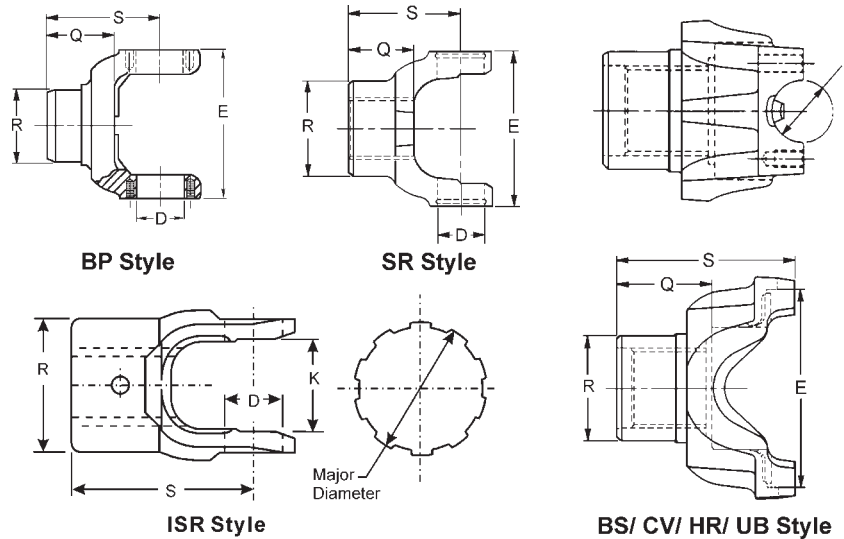
1.4980	1.9690	2.8370	4.9840	—	BS			3-4-12461-1
--------	--------	--------	--------	---	----	--	--	-------------

1.026 depth counterbore at hub end.

END YOKES with SPLINED HOLES

Major Diameter	R	Q	S	Joint Angle	Style	End Yoke Assy. (incl. slinger) Order When Listed	Slinger Part Number	Spicer Part Number	
	Ground Hub Dia.	Length Thru Hole	Centerline to End						
1350 SERIES (Continued)			SR STYLE E-3.875 ALL OTHERS E-3.625, D-1.188				USE KIT 5-178X		
USES U-BOLT ASSY. 3-94-18X, STRAP ASSY. 3-70-28X									
1.5000-10 Spline									
1.5000	2.1555	2.0000	3.6950	22.5	BS			3-4-13881-1	
1.5000	2.1560	2.0000	3.7660	22.5	BS			3-4-8511-1	
								<i>.540 depth counterbore at hub end.</i>	
1.5000	2.2500	2.0630	3.5300	22.0	BS			3-4-1501-1	
1.5000	2.2500	2.1880	3.8750	18.0	UB	3-4-3671X	230386	3-4-2231	
1.5000-10 Spline									
1.5000	2.2500	2.0000	3.5000	22.0	BS			3-4-1441-1	
1.5110-14 Involute Spline									
1.5110	2.1250	2.5310	4.5000	30.0	BS			3-4-8501-1	
1.5110	2.3750	1.8280	3.3120	30.0	BS			3-4-8491-1	
1.6250-10 Spline									
1.6250	2.3750	2.1250	3.9690	18.0	BS	3-4-9001-1X	230895	3-4-3931-1	
1.6780-31 Based On 32 Spline									
1.6780	2.3590	2.0780	4.1400	23.0	BS	3-4-13441-1X	3-68-34	3-4-13431-1	
1.7500-10 Spline									
1.7500	2.3750	1.8120	3.5000	—	BS			3-4-3801-1	
1.7500	2.3750	1.8120	3.5000	—	UB			3-4-3801	
1.7500	2.3750	2.1880	4.0000	20.0	BS			3-4-2351-1	
1.7500	2.6250	1.8120	3.5160	18.5	BS			3-4-3811-1	
1.7510-27 Involute Spline									
1.7510	2.2500	1.4380	2.9690	22.0	UB			3-4-5151	
2.0480-15 Involute Spline									
2.0480	2.7500	1.7030	3.2030	18.5	BS			3-4-12671-1	
1410 SERIES			SR STYLE E-4.438 ALL OTHERS E-4.188, D-1.188				USE KIT 5-160X		
USES U-BOLT ASSY, 3-94-18X, STRAP KIT 3-70-28X									
1.2500-10 Spline									
1.2500	1.8750	1.5000	3.1880	22.0	UB	3-4-4451X	30798	3-4-4441	
1.2600-23 Involute Spline									
1.2600	1.5650	1.6090	3.5620	30.0	BS			3-4-10941-1	
								<i>.360 depth counterbore at hub end.</i>	
1.2680-14 Involute Spline									
1.2680	1.5160	1.7500	2.7500	21.0	SR			3-4-5321	
								<i>Hub diameter not ground.</i>	
1.2680	2.3750	2.2500	4.0310	23.0	UB			3-4-7721	
								<i>.375 Dia.set screw @ 6 OR 12, hub diameter not ground.</i>	
1.2760-29 Involute Spline									
1.2760	1.8740	1.4200	3.1850	22.5	BS	3-4-11891-1X	34592	3-4-11851-1	
1.2760	1.8750	1.5000	3.1880	22.5	BS	3-4-5711-1X	34592	3-4-5701-1	
1.2760	1.8750	1.5000	3.1880	30.0	UB			3-4-8731	
1.3750-10 Spline									
1.3750	1.7190	1.7810	3.4690	30.0	BS	3-4-2851-1X	98-1473	3-4-2841-1	
								<i>Hub diameter not ground.</i>	
1.3750	1.7190	2.0000	3.7030	30.0	UB			3-4-1471	
1.3750	1.9380	2.0000	3.6880	30.0	BS			3-4-1481-1	
1.3750	2.1250	1.7500	3.5000	24.5	UB			3-4-3941	
1.3750	2.5000	1.9380	5.7500	23.0	UB			3-4-7141	
								<i>Flanged end yoke, strap not furnished by Dana</i>	
1.3750-32 Involute Spline									
1.3750	1.8860	2.0000	3.6750	—	BS			3-4-13511-1	
								<i>Uses GM brg.strap</i>	
1.3830-21 Involute Spline									
1.3830	2.6250	3.3120	4.6410	25.0	BS			3-4-11471-1	
								<i>1.190 depth counterbore at hub end.</i>	
1.4000-32 Involute Spline									
1.4000	2.1250	2.0000	3.6880	30.0	BS			3-4-10951-1	





Major Diameter	R	Q	S	Joint Angle	Style	End Yoke Assy. (incl. slinger) Order When Listed	Slinter Part Number	Spicer Part Number
	Ground Hub Dia.	Length Thru Hole	Centerline to End					

1410 SERIES (Continued) SR STYLE E-4.438 ALL OTHERS E-4.188, D-1.188 USE KIT 5-160X

USES U-BOLT ASSY, 3-94-18X, STRAP KIT 3-70-28X

1.4980-29 Involute Spline

1.4980	1.9690	1.8280	3.9380	30.0	BS			3-4-10571-1
1.4980	1.9690	1.8280	3.9380	30.0	UB			3-4-10571
1.4980	2.0000	1.6090	3.6880	30.0	BS			3-4-10931-1

1.5000-10 Spline

1.5000	1.8120	2.0000	3.7190	24.0	BS			3-4-6561-1 Coupling shaft yoke
1.5000	1.8120	2.0000	3.7190	24.0	BS			3-4-6561-2 Coupling shaft yoke. Attaching hdwr by OEM
1.5000	1.8120	2.0000	3.7190	24.0	UB	3-4-6631X	231004	3-4-6561 Coupling shaft yoke
1.5000	2.1250	2.0000	3.6880	30.0	UB			3-4-3961
1.5000	2.1250	2.0000	3.6880	30.0	UB			3-4-1901 .250 depth counterbore at hub end.
1.5000	2.1250	2.1880	3.8750	30.0	BS			3-4-6531
1.5000	2.1250	2.1880	4.1880	25.0	UB			3-4-3361
1.5000	2.2500	1.7500	3.7500	24.0	BS			3-4-1911-1
1.5000	2.2500	2.1880	3.8750	22.0	BS			3-4-2241-1
1.5000	2.2500	2.1880	3.8750	22.0	UB			3-4-7011
1.5000	2.3125	2.0000	3.6880	30.0	BS			3-4-2941-1
1.5000	2.3125	2.0000	3.6900	30.0	UB	3-4-7321X	230124	3-4-2941
1.5000	2.4060	2.0000	3.6880	24.0	UB			3-4-6751
1.5000	2.6250	2.0000	3.8440	30.0	BS			3-4-10551-1 Coupling shaft yoke

1.5000-10 Involute Spline

1.5000	2.1550	2.0000	3.6900	30.0	BS			3-4-13871-1
--------	--------	--------	--------	------	----	--	--	-------------

1.5060-23 Involute Spline

1.5060	2.3750	1.4060	3.5000	28.5	BS			3-4-11811-1 .240 depth counterbore at hub end.
--------	--------	--------	--------	------	----	--	--	---

1.5110-14 Involute Spline

1.5110	1.5470	2.5310	3.8280	25.0	BS			3-4-11491-1 .440 depth counterbore at hub end.
--------	--------	--------	--------	------	----	--	--	---

1.5250-35 Involute Spline

1.5250	2.1250	2.0000	3.6880	30.0	UB			3-4-5191
1.5250	2.5000	1.9380	3.7500	29.5	BS			3-4-9251-2 Attaching hardware by OEM
1.5250	2.5000	1.9380	5.7500	23.0	BS			3-4-7151 Flanged end yoke, strap not furnished by Dana

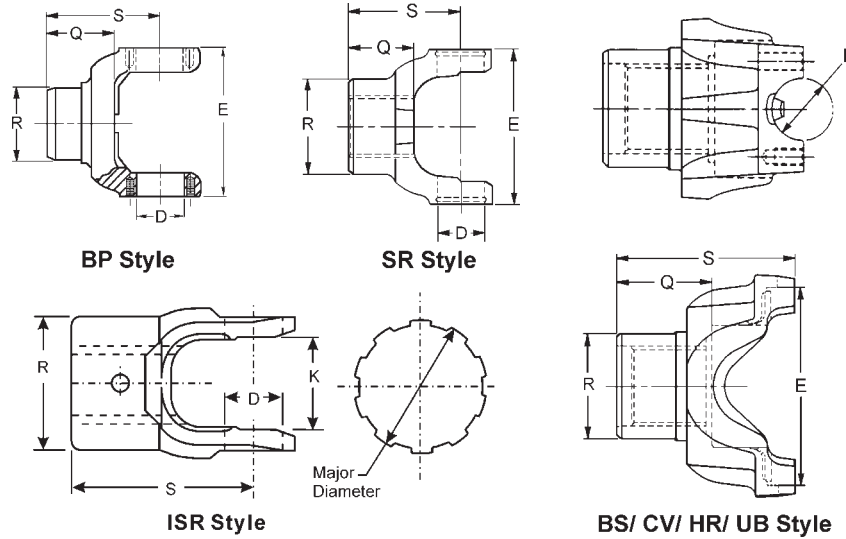


END YOKES with SPLINED HOLES



Major Diameter	R	Q	S	Joint Angle	Style	End Yoke Assy. (incl. slinger) Order When Listed	Slinger Part Number	Spicer Part Number
	Ground Hub Dia.	Length Thru Hole	Centerline to End					
1410 SERIES (Continued)			SR STYLE E-4.438 ALL OTHERS E-4.188, D-1.188				USE KIT 5-160X	
USES U-BOLT ASSY, 3-94-18X, STRAP KIT 3-70-28X								
1.5270-22 Based On 23 Spline								
1.5270	1.5600	2.6770	4.4250	30.0	BS			3-4-10121-1
1.5270	1.8890	2.6780	4.4250	30.0	BS			3-4-11741-1
1.5270	1.8910	1.6250	3.5000	30.0	BS			.080 depth counterbore at hub end. 3-4-11591-1
1.5880-24 Involute Spline								
1.5880	2.2500	2.1250	4.0000	30.0	BS	3-4-11701-1X	3-68-124	3-4-8701-1
								.470 depth counterbore at hub end.
1.5900-30 Involute Spline								
1.5900	2.1880	1.6250	3.7190	26.0	BS	3-4-8001-1X	232037	3-4-7991-1
1.6090-15 Involute Spline								
1.6090	2.1250	1.9380	3.7500	30.0	BS			3-4-7311-1
1.6090-37 Involute Spline								
1.6090	2.5000	2.0000	4.3000	22.5	BS	3-4-14391-1X	232895	3-4-14371-1
								.240 depth counterbore at hub end.
1.6090	2.5000	2.0000	4.3000	22.5	BS	3-4-14381-1X	232973	3-4-14371-1
								.240 depth counterbore at hub end.
1.6090	2.5000	2.0000	4.3120	22.0	BS	3-4-11081-1X	231872	3-4-9931-1
								.240 depth counterbore at hub end.
1.6090	2.5000	2.0000	4.3120	22.0	BS	3-4-14071-1X	232895	3-4-13301-1
								.240 depth counterbore at hub end.
1.6250-10 Spline								
1.6250	2.2500	2.0000	3.7190	30.0	UB			3-4-2031
1.6250	2.3750	2.1250	3.9380	24.0	UB			3-4-3491
1.6250	2.3750	2.1250	4.1880	30.0	BS	3-4-5921-1X	230895	3-4-2131-1
1.6500-16 Involute Spline								
1.6500	2.3750	2.0000	3.8120	30.0	UB			3-4-2281
1.7500-10 Spline								
1.7500	2.1880	1.5940	3.5000	30.0	BS			3-4-12471-1
1.7500	2.2500	2.1880	4.1880	30.0	UB			3-4-3351
1.7500	2.3590	2.0940	4.2030	25.0	BS			3-4-11761-1
1.7500	2.3750	1.9380	3.9690	30.0	UB			3-4-8031
1.7500	2.3750	2.1880	4.1880	30.0	BS			3-4-1161-1
1.7500	2.3750	2.1880	4.1880	30.0	BS			3-4-1841-1
1.7500	2.3750	2.1880	4.1880	30.0	UB			3-4-1841
1.7500	2.5000	1.9380	5.7500	23.0	BS			3-4-7131
								<i>Flanged end yoke, strap not furnished by Dana</i>
1.7500	2.5000	2.2500	4.0630	30.0	BS	3-4-5741-1X	565-W	3-4-2821-1
1.7500	2.6250	2.1880	4.0000	29.0	BS	3-4-5881-1X	230909	3-4-3041-1
								.250 depth counterbore at hub end.
1.7500	2.6250	2.1880	4.2500	28.0	BS			3-4-2511-1
								.250 depth counterbore at hub end.
1.7500	2.6250	2.1880	4.2500	28.0	BS			3-4-7031-1
1.7500	2.6250	2.1880	4.2500	28.0	UB			3-4-7031
1.7510-27 Involute Spline								
1.7510	2.6250	1.4380	2.4530	30.0	BS			3-4-10541-1
1.7510	2.6264	1.9950	3.9910	—	BS	3-4-13641-1X	232750	3-4-13631-1
1.7740-34 Involute Spline								
1.7740	2.5000	2.2500	4.1880	24.0	UB	3-4-8061X	231206	3-4-7551
1.7840-27 Involute Spline								
1.7840	2.6250	2.0000	4.0000	—	BS			3-4-8721-1
								<i>Flanged end yoke.</i>
1.7900-34 Involute Spline								
1.7900	2.6250	2.1880	4.0310	24.5	BS	3-4-10461-1X	232039	3-4-10251-1
1.7900	2.6250	2.1880	4.0310	24.5	BS	3-4-13041-1X	232036	3-4-10251-1
1.8780-14 Involute Spline								
1.8780	2.5620	2.0310	4.2190	30.0	UB			3-4-8071
1.9690-10 Spline								
1.9690	2.5940	1.8440	3.9690	25.0	UB			3-4-2251





Major Diameter	R	Q	S	Joint Angle	Style	End Yoke Assy. (incl. slinger) Order When Listed	Slinter Part Number	Spicer Part Number
	Ground Hub Dia.	Length Thru Hole	Centerline to End					
1410 SERIES (Continued)			SR STYLE E-4.438 ALL OTHERS E-4.188, D-1.188			USE KIT 5-160X		
USES U-BOLT ASSY, 3-94-18X, STRAP KIT 3-70-28X								
1.9710-24 Involute Spline								
1.9710	2.5160	1.9530	4.0000	—	BS			3-4-13681-1
1.9980-38 Involute Spline								
1.9980	3.0000	2.1250	4.2190	22.5	BS	3-4-8421-2X	231347	3-4-8561-2
								<i>Attaching hardware by OEM</i>
1.9980	3.0000	2.1250	4.2190	22.5	UB	3-4-10241X	231750	3-4-8561
1440 SERIES			K-2.828 D-1.312			USE KIT NO. 5-431X		
1.3750-6 Spline								
1.3750	2.9900	2.0000	4.2500	—				3-4-4-91
1.7500-21 Involute Spline								
1.7500	2.9900	2.2000	4.3100	—				3-4-4-361
1480 SERIES			SR STYLE E-4.438 ALL OTHERS E-4.188, D-1.375			USE KIT 5-188X		
USES U-BOLT ASSY NO.3-94-28X,STRAP ASSY. 3-70-38X								
1.2760-29 Involute Spline								
1.2760	1.8750	1.5000	3.5000	22.5	BS	3-4-13391-1X	34592	3-4-9531-1
1.3750-10 Spline								
1.3750	2.1250	1.7500	4.0000	32.0	BS	3-4-8961-2X	231469	3-4-3231-2
								<i>Attaching hardware by OEM</i>
1.3750	2.1250	1.7500	4.0000	32.0	UB			3-4-3231
1.3750	2.1250	2.0000	4.0310	22.0	UB			3-4-6701
1.5000-10 Spline								
1.5000	1.8100	2.0000	4.0310	30.0	BS			3-4-6901-1
1.5000	1.8100	2.0000	4.0310	30.0	BS			3-4-6901-2
								<i>Attaching hardware by OEM</i>
1.5000	1.8100	2.0000	4.0310	30.0	BS	3-4-7391-1X	231004	3-4-6901-1
1.5000	1.9380	2.0000	4.0310	30.0	UB	3-4-4421X		3-4-3091
								<i>Coupling shaft yoke</i>
1.5000	2.0620	2.0000	4.0310	30.0	UB	3-4-3331X	230207	3-4-3081
1.5000	2.1250	2.0000	4.0000	22.5	UB			3-4-3521
1.5000	2.1250	2.0000	4.2190	35.0	UB			3-4-3111
								<i>.250 depth counterbore at hub end.</i>
1.5000	2.1250	2.1200	3.6600	22.0	BS			3-4-7781
								<i>Flanged end yoke.</i>
1.5000	2.1250	2.1880	2.2030	22.0	UB	3-4-6261X	230895	3-4-6251
1.5000	2.1550	2.0000	4.0000	22.5	BS			3-4-13921-1
1.5000	2.2500	2.0000	4.7190	37.0	UB			3-4-3851
1.5000	2.2500	2.1880	4.2500	28.0	BS	3-4-6051-1X	230386	3-4-3781-1
1.5000	2.2500	2.1880	4.2500	28.0	UB			3-4-3781

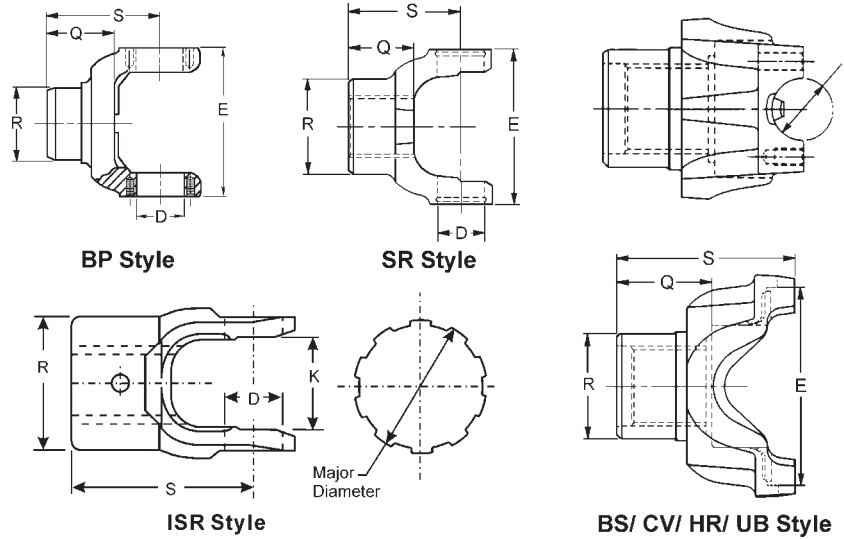


END YOKES with SPLINED HOLES



Major Diameter	R	Q	S	Joint Angle	Style	End Yoke Assy. (incl. slinger) Order When Listed	Slinger Part Number	Spicer Part Number
	Ground Hub Dia.	Length Thru Hole	Centerline to End					
1480 SERIES (Continued)			SR STYLE E-4.438 ALL OTHERS E-4.188, D-1.375			USE KIT 5-188X		
USES U-BOLT ASSY NO.3-94-28X,STRAP ASSY. 3-70-38X								
1.5000-10 Spline (Continued)								
1.5000	2.2500	2.1880	4.2500	30.0	UB			3-4-3181 .312 depth counterbore at hub end.
1.5000	2.2500	2.1880	4.4060	32.0	BS			3-4-3241-1
1.5060-23 Involute Spline								
1.5060	—	1.4060	3.5000	22.5	BS			3-4-13991-1 .240 depth counterbore at hub end.
1.5060	2.3750	1.4030	3.5000	22.5	BS			3-4-14031-1 .240 depth counterbore at hub end.
1.5250-35 Involute Spline								
1.5250	2.1250	2.0000	4.0310	22.0	UB			3-4-6691
1.5250	2.5000	1.9380	4.0000	30.0	BS			3-4-9221-2 Attaching hardware by OEM
1.5250	2.5000	1.9380	5.7500	16.0	UB			3-4-7161 Flanged end yoke.
1.5330-17 Involute Spline								
1.5330	2.1200	1.9500	4.0000	—	UB			3-4-13791-1
1.6050-15 Involute Spline								
1.6050	2.1250	1.9380	4.0000	22.5	BS			3-4-9301-1
1.6090-37 Involute Spline								
1.6090	2.5000	2.0000	4.3280	22.5	BS	3-4-11281-1X	231872	3-4-11171-1
1.6250-10 Spline								
1.6250	2.3750	2.1250	4.1880	28.0	BS	3-4-5781-1X	230895	3-4-3141-1
1.6250	2.3750	2.1250	4.1880	28.0	UB			3-4-5531
1.6250	2.3750	2.1250	4.3120	30.0	UB			3-4-3771
1.6250-26 Involute Spline								
1.6250	1.9380	2.0000	4.6880	—	UB			3-4-9031
1.7500-10 Spline								
1.7500	2.2500	2.1880	4.2500	22.0	BS	3-4-6241-1X	230895	3-4-6231-1
1.7500	2.2500	2.1880	4.4060	35.0	BS			3-4-7361-1
1.7500	2.2500	2.1880	4.4060	35.0	UB			3-4-7361
1.7500	2.3750	1.9380	3.9690	—	UB			3-4-8041
1.7500	2.3750	2.1250	4.2500	30.0	UB			3-4-8021
1.7500	2.3750	2.1880	4.2190	22.0	BS			.250 depth counterbore at hub end. 3-4-3191-1
1.7500	2.3750	2.1880	4.2190	22.0	BS			3-4-3571-1
1.7500	2.3750	2.1880	4.2190	22.0	UB			3-4-3571
1.7500	2.3750	2.1880	4.9380	37.0	BS			3-4-4221-1
1.7500	2.5000	1.9220	3.8590	22.0	UB			3-4-5911
1.7500	2.5000	1.9220	5.1090	30.0	BS			3-4-11561-1
1.7500	2.5000	1.9380	4.0000	25.0	BS			Flanged end yoke, strap not furnished by Dana 3-4-11871-2
1.7500	2.5000	1.9380	5.7500	16.0	BS			Attaching hardware by OEM 3-4-7171
1.7500	2.5000	1.9530	4.0000	27.0	BS			Flanged end yoke. 3-4-9271-2
1.7500	2.5000	1.9530	4.0000	27.0	BS			Attaching hardware by OEM 3-4-9271-1
1.7500	2.5000	2.1880	4.2810	22.0	UB			3-4-4271
1.7500	2.5000	2.2500	4.2810	22.0	UB			3-4-3551
1.7500	2.5000	2.2500	4.2810	30.0	UB			3-4-6411
1.7500	2.6250	1.9380	3.7190	22.0	BS			3-4-7771 Flanged end yoke.
1.7500	2.6250	1.9380	3.9690	22.0	UB			3-4-4051
1.7500	2.6250	2.1880	4.2810	30.0	BS	3-4-5811-1X	230909	3-4-3391-1 .250 depth counterbore at hub end.
1.7500	2.6250	2.1880	4.2810	30.0	UB	3-4-5811X	230909	3-4-3391 .250 depth counterbore at hub end.
1.7500	2.6250	2.1880	4.7500	24.5	BS			3-4-10301-1 Flanged yoke with .250 depth counterbore at hub end



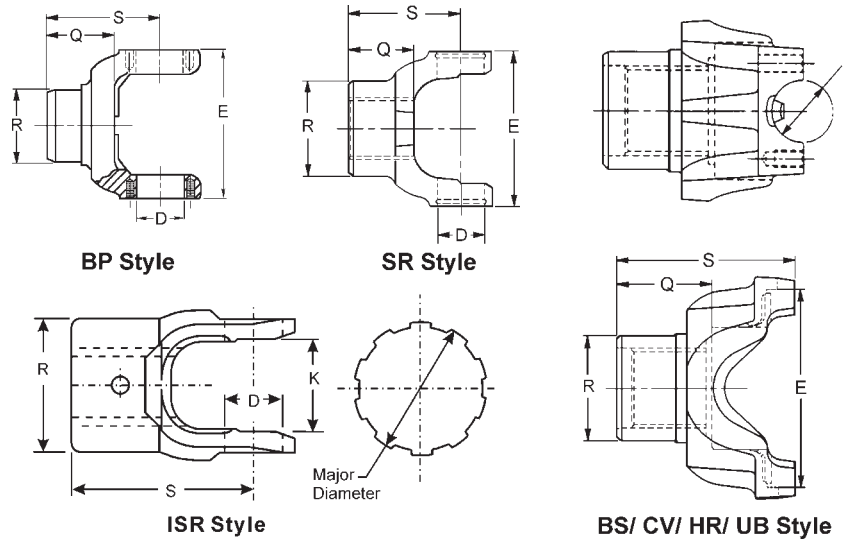


Major Diameter	R	Q	S	Joint Angle	Style	End Yoke Assy. (incl. slinger) Order When Listed	Slinter Part Number	Spicer Part Number
	Ground Hub Dia.	Length Thru Hole	Centerline to End					
1480 SERIES (Continued)			SR STYLE E-4.438 ALL OTHERS E-4.188, D-1.375			USE KIT 5-188X		
USES U-BOLT ASSY NO.3-94-28X,STRAP ASSY. 3-70-38X								
1.7500-10 Spline (Continued)								
1.7500	2.6250	2.2030	4.2660	22.0	BS			3-4-11801-1
1.7500	2.6250	2.2500	4.2810	22.0	UB			.250 depth counterbore at hub end. 3-4-3541
1.7500	2.6250	2.2500	4.2810	22.0	UB	3-4-5791X	230909	3-4-3061
1.7500	2.6250	2.2500	4.2810	23.0	BS	3-4-5791-1X	230909	3-4-3061-1
1.7500	2.6250	2.2500	4.4690	25.0	BS			.250 depth counterbore at hub end. 3-4-3121-1
1.7500	2.6250	2.2500	4.9380	34.0	BS	3-4-5831-1X	230909	3-4-3821-1
1.7500	2.7500	2.2500	4.2810	22.5	UB			3-4-9621
1.7500	2.7500	2.2500	4.3120	22.0	UB			.500 depth counterbore at hub end. 3-4-3891
1.7510-27 Involute Spline								
1.7510	2.2500	1.4530	3.5310	22.5	UB			3-4-6011
1.7510	2.2500	1.6250	3.8910	22.0	BS			3-4-9741-1
1.7510	2.5000	2.0630	4.1250	30.0	BS			3-4-11181-1
1.7510	2.5000	2.0630	4.1250	30.0	UB			3-4-11181
1.7510	2.5000	3.0000	4.9220	23.5	BS			3-4-10081-1
1.7510	2.6250	2.2810	4.2500	30.0	BS			3-4-11161-1
1.7510	2.6264	1.9950	4.1550	—	BS	3-4-13661-1X	232750	3-4-13651-1
1.7510	2.7500	2.7030	4.5650	26.0	BS	3-4-12721-1XM	232873	3-4-12711-1M
1.7510	3.0000	2.4690	4.5000	24.5	BS			.160 depth counterbore at hub end. 3-4-9981-1
								.490 depth counterbore at hub end.
1.7550-13 Involute Spline								
1.7550	2.5000	2.2500	4.2810	30.0	UB			3-4-7001
1.7740-34 Spline								
1.7740	2.5000	2.2500	4.4690	29.0	BS	3-4-8051-1X	231206	3-4-7541-1
1.7740-34 Involute Spline								
1.7740	2.5000	2.2500	4.4690	29.0	BS			3-4-7541-2
								Attaching hardware by OEM
1.7900-34 Involute Spline								
1.7900	2.3750	2.1880	4.2190	22.0	BS	3-4-12101-1X	232198	3-4-12091-1
1.7900	2.5620	2.7500	5.1250	30.0	BS	3-4-9241-1X	231059	3-4-9231-1
1.7900	2.5620	2.7500	5.1250	30.0	BS	3-4-9241-2X	231059(PLUG)	3-4-9231-2
								Attaching hardware by OEM
1.7900	2.5620	2.7500	5.1250	30.0	UB	3-4-13861X	231059-5	3-4-9231
1.7900	2.5620	2.7500	5.5620	16.0	BS	3-4-7261-1X	231059(PLUG)	3-4-7251-1
								Flanged end yoke.



Major Diameter	R	Q	S	Joint Angle	Style	End Yoke Assy. (incl. slinger) Order When Listed	Slinger Part Number	Spicer Part Number
	Ground Hub Dia.	Length Thru Hole	Centerline to End					
1480 SERIES (Continued)			SR STYLE E-4.438 ALL OTHERS E-4.188, D-1.375				USE KIT 5-188X	
USES U-BOLT ASSY NO.3-94-28X,STRAP ASSY. 3-70-38X								
1.7900-34 Involute Spline (Continued)								
1.7900	2.5650	2.7500	5.1250	—	BS	3-4-13971-1X		3-4-13961-1
1.7900	2.5670	2.7500	4.8850	19.0	BS	3-4-11621-1X	231059	3-4-11551-1
								<i>Flanged end yoke.</i>
1.7900	2.6250	2.1880	4.2810	25.0	BS	3-4-10471-1X	232039	3-4-10261-1
1.7900	2.6250	2.1880	4.2810	25.0	BS			3-4-10261-1
1.7900	2.6250	2.1880	4.2810	25.0	BS	3-4-11921-1X	231935	3-4-10261-1
1.7960-34 Involute Spline								
1.7960	2.7500	1.6880	3.8400	—	BS			3-4-13701-1
1.8750-10 Spline								
1.8750	2.7500	2.3750	4.4060	22.0	BS	3-4-6671-1X	230900	3-4-3901-1
1.9220-14 Involute Spline								
1.9220	2.3750	2.1880	4.4380	25.0	BS			3-4-7571-1
1.9220	2.3750	2.1880	4.4380	25.0	UB			3-4-7571
1.9220	2.3750	2.1880	4.4380	35.0	BS			3-4-11071-1
1.9640-10 Spline								
1.9640	2.5000	2.0000	4.6880	37.0	UB			3-4-4211
1.9690-10 Spline								
1.9690	2.5940	1.8590	4.5000	35.0	UB			3-4-3051
1.9690	2.5940	1.8590	4.5000	35.0	UB			3-4-5441
1.9690	2.6250	2.2500	4.4060	22.0	UB	3-4-5821X	230897	3-4-3861
								<i>.250 depth counterbore at hub end.</i>
1.9980-38 Involute Spline								
1.9980	2.7500	2.0000	3.9060	23.5	BS			3-4-8931-2
								<i>Attaching hardware by OEM</i>
1.9980	2.7500	2.1250	4.1560	25.0	BS			3-4-8781-1
1.9980	2.7500	2.1250	4.1560	25.0	UB			3-4-8781
1.9980	3.0000	2.1250	4.2810	25.0	BS	3-4-8251-2X	231347	3-4-8581-2
								<i>Attaching hardware by OEM</i>
1.9980	3.0000	2.1250	4.2810	25.0	BS	3-4-12121-1X	232200	3-4-12111-1
2.0240-39 Involute Spline								
2.0240	2.6250	2.2500	4.3440	20.0	BS	3-4-13061-1X	232167	3-4-13051-1
								<i>.250 depth counterbore at hub end.</i>
2.0240	2.6250	2.2500	4.3440	20.0	BS	3-4-11061-1X	232039	3-4-11051-1
2.0240	3.0000	2.2810	4.3440	20.0	BS	3-4-13081-1X	232511	3-4-13071-1
								<i>.250 depth counterbore at hub end.</i>
2.0480-15 Involute Spline								
2.0480	2.5000	2.1250	4.5000	24.0	BS			3-4-10781-1
2.0700-32 Involute Spline								
2.0700	2.8750	2.8120	4.8750	26.0	BS	3-4-12991-1XM	4-68-94	3-4-12981-1M
								<i>Metric bolt holes</i>
2.1140-32 Involute Spline								
2.1140	3.0000	2.2500	4.2810	18.0	BS	3-4-13351-1X	232200	3-4-13341-1
								<i>.424 depth counterbore at hub end.</i>
2.3720-46 Involute Spline								
2.3720	3.0000	3.3120	5.3910	24.5	BS	3-4-13561-1XM	232055	3-4-13551-1M
2.3720	3.0000	3.3120	5.3910	24.5	BS	3-4-14011-1XM	232055	3-4-14001-1M
2.3720	3.1250	3.3120	5.3910	24.5	BS	3-4-12501-1XM	232055	3-4-12491-1M
								<i>Metric bolt holes</i>





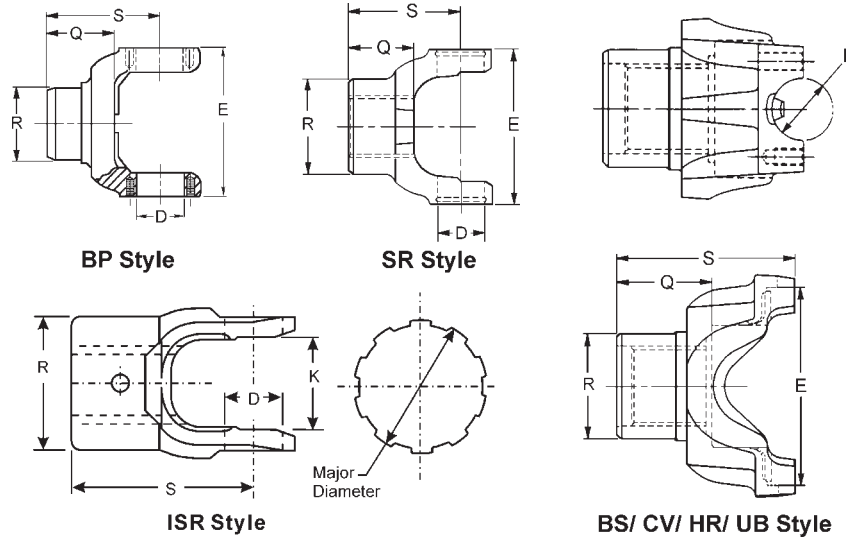
Major Diameter	R	Q	S	Joint Angle	Style	End Yoke Assy. (incl. slinger) Order When Listed	Slinter Part Number	Spicer Part Number	
	Ground Hub Dia.	Length Thru Hole	Centerline to End						
1550 SERIES					E-5.250 D-1.375	USE KIT 5-155X			
USES U-BOLT ASSY. 3-94-28X, STRAP ASSY. 3-70-38X									
1.5000-10 Spline									
1.5000	2.0620	2.0000	3.7810	22.0	UB			4-4-2031	
1.5000	2.1250	2.0000	3.8440	—	BS			<i>Coupling shaft yoke</i>	
1.5000	2.3125	2.0000	3.7750	22.0	BS			4-4-6341-1	
								4-4-2051-1	
								<i>Coupling shaft yoke</i>	
1.5000	2.5625	2.0000	3.8120	22.5	BS			4-4-4211-2	
								<i>Coupling shaft yoke. Attaching hdwr by OEM</i>	
1.5000	2.5625	2.0000	3.8120	22.5	BS			4-4-4211-1	
								<i>Coupling shaft yoke</i>	
1.5000	2.5625	2.0000	3.8120	22.5	UB			4-4-4211	
								<i>Coupling shaft yoke</i>	
1.6050-15 Involute Spline									
1.6050	2.1250	1.9380	4.0000	22.5	BS			4-4-5601-1	
1.6050	2.1250	1.9530	4.0000	22.5	BS			4-4-6331-1	
1.6090-37 Involute Spline									
1.6090	2.5000	2.0160	4.4060	31.5	BS	4-4-6851-1X	231872	4-4-6841-1	
1.6250-10 Spline									
1.6250	2.3750	2.1250	3.9380	12.5	BS			4-4-1921-1	
1.6250	2.3750	2.1250	3.9380	12.5	UB			4-4-1921	
1.6250	2.3750	2.1250	4.5310	35.0	UB			4-4-2151	
1.6250	2.7500	1.7500	3.7500	21.5	BS			4-4-5571-1	
1.7500-10 Spline									
1.7500	2.2500	2.1880	4.0000	22.0	BS			4-4-2171-2	
								<i>Attaching hardware by OEM</i>	
1.7500	2.3750	2.1850	4.0000	21.5	BS			4-4-5371-1	
1.7500	2.3750	2.1880	4.0000	22.0	BS			4-4-2041-1	
1.7500	2.3750	2.2500	4.2810	22.0	BS			4-4-5111-1	
1.7500	2.5000	1.9060	4.1250	22.5	BS			4-4-6791-2	
								<i>Attaching hardware by OEM</i>	
1.7500	2.5000	1.9380	4.1250	21.0	BS			4-4-4781-1	
1.7500	2.5000	1.9380	4.1250	21.0	BS			4-4-4781-2	
								<i>Attaching hardware by OEM</i>	
1.7500	2.5000	2.0000	4.1250	—	BS			4-4-4171-1	
1.7500	2.5000	2.0000	4.1250	—	UB			4-4-4171	
1.7500	2.5000	2.2600	4.2900	22.5	BS			4-4-5251-1	
1.7500	2.5310	1.8440	3.8750	22.0	BS			4-4-7391-1	
1.7500	2.6250	1.9380	4.6720	35.0	BS	4-4-5901-2X	230909	4-4-5881-2	
								<i>Attaching hardware by OEM</i>	
1.7500	2.6250	2.1880	4.2810	21.0	BS			4-4-3841-1	





Major Diameter	R	Q	S	Joint Angle	Style	End Yoke Assy. (incl. slinger) Order When Listed	Slinger Part Number	Spicer Part Number
	Ground Hub Dia.	Length Thru Hole	Centerline to End					
1550 SERIES (Continued)			E-5.250	D-1.375				USE KIT 5-155X
USES U-BOLT ASSY. 3-94-28X, STRAP ASSY. 3-70-38X								
1.7500-10 Spline (Continued)								
1.7500	2.6250	2.1880	4.2810	21.0	UB			4-4-3841
1.7500	2.6250	2.2340	4.6720	34.5	BS	4-4-3581-2X	230909	4-4-1901-2
								<i>Attaching hardware by OEM</i>
1.7500	2.6250	2.2340	4.6720	34.5	BS	4-4-3581-1X	230909	4-4-1901-1
								<i>.250 depth counterbore at hub end.</i>
1.7500	2.6250	2.2500	4.2810	22.0	BS			4-4-2091-1
1.7500	2.6250	2.2500	4.2810	22.0	UB			4-4-2091
1.7500	2.7500	1.6250	4.6880	21.0	UB			4-4-3811
1.7500	2.7500	2.2500	4.2810	20.0	BS			4-4-1931-1
1.7500	2.7500	2.2500	4.2810	20.0	UB			4-4-1931
1.7500	2.7500	2.2500	4.8120	34.0	BS			4-4-5721-1
1.7510-27 Involute Spline								
1.7510	2.5000	2.0940	4.1250	22.5	BS			4-4-6141-1
1.7510	2.6264	2.0000	4.5030	—	BS	4-4-7741-1X	232750	4-4-7731-1
1.7510	2.7500	2.3120	4.2500	22.5	BS			4-4-5991-1
								<i>.125 depth counterbore at hub end.</i>
1.7510	2.7500	2.4380	4.5160	24.5	BS	4-4-7371-1XM	232372	4-4-7361-1M
1.7550-13 Involute Spline								
1.7550	2.3750	2.2500	4.0310	22.0	BS			4-4-2931-1
1.7550	2.3750	2.2500	4.0310	22.0	UB			4-4-2931
1.7660-27 Involute Spline								
1.7660	2.2500	1.7970	3.8750	22.0	BS			4-4-5181-1
1.7740-34 Spline								
1.7740	2.5000	2.2600	4.7000	34.5	BS	4-4-4111-1X	231206	4-4-4101-1
1.7740	2.5000	2.2600	4.7000	34.5	BS	4-4-4111-2X	231206	4-4-4101-2
								<i>Attaching hardware by OEM</i>
1.7900-34 Involute Spline								
1.7900	2.3750	2.2000	4.0000	21.5	BS	4-4-6961-1X	232198	4-4-6951-1
1.7900	2.5620	2.7500	5.1560	22.5	BS	4-4-4801-2X		4-4-4791-2
								<i>Attaching hardware by OEM</i>
1.7900	2.5620	2.7500	5.1560	22.5	BS	4-4-4801-1X	231059(PLUG)	4-4-4791-1
1.7900	2.5620	2.7500	5.5310	22.5	BS	4-4-7871-1X		4-4-7431-1
								<i>Flanged end yoke.</i>
1.7900	2.5620	2.7900	5.1250	21.5	BS	4-4-3861-1X	231059(PLUG)	4-4-3851-1
1.7900	2.6250	2.1850	4.2750	24.5	BS	4-4-5611-1X	232039	4-4-5551-1
1.7960-34 Involute Spline								
1.7960	2.7500	1.6850	4.9060	22.5	BS			4-4-6741-1
1.8750-10 Spline								
1.8750	2.7500	2.3750	4.4060	20.0	BS			4-4-1941-1
1.9220-14 Involute Spline								
1.9220	2.3750	2.1880	4.6880	32.0	BS			4-4-4261-1
1.9220	2.3750	2.2030	4.6410	25.0	BS			4-4-4811-1
1.9620-10 Spline								
1.9620	2.6250	2.2660	4.2660	22.0	BS	4-4-4071-1X	230897	4-4-2431-1
1.9620	2.6250	2.2660	4.2660	22.0	BS	4-4-4071-2X	230897	4-4-2431-2
								<i>Attaching hardware by OEM</i>
1.9620	2.7500	2.8120	5.0000	22.0	BS			4-4-4191-1
1.9620	2.7500	2.8120	5.0000	22.5	BS			4-4-4771-2
								<i>Attaching hardware by OEM</i>
1.9620	2.7500	2.8120	5.0000	24.5	BS			4-4-6781-2
								<i>Attaching hardware by OEM</i>
1.9620	2.9380	2.5300	4.5850	22.0	BS			4-4-5061-1
1.9710-24 Involute Spline								
1.9710	2.5000	1.9690	4.0000	—	BS			4-4-7751-1
1.9720-10 Spline								
1.9720	2.7500	2.3750	4.4220	22.0	BS			4-4-2381-1
1.9980-36 Involute Spline								
1.9980	2.8750	2.0000	4.4220	35.0	UB			4-4-4231





Major Diameter	R	Q	S	Joint Angle	Style	End Yoke Assy. (incl. slinger) Order When Listed	Slinter Part Number	Spicer Part Number
	Ground Hub Dia.	Length Thru Hole	Centerline to End					
1550 SERIES (Continued) E-5.250 D-1.375					USE KIT 5-155X			
USES U-BOLT ASSY. 3-94-28X, STRAP ASSY. 3-70-38X								
1.9980-38 Involute Spline								
1.9980	2.7500	1.9840	4.1560	22.0	BS			4-4-4611-1
1.9980	2.7500	1.9840	4.1560	22.0	BS			4-4-4611-2
								<i>Attaching hardware by OEM</i>
1.9980	2.7500	1.9840	4.1560	22.0	UB			4-4-4611
1.9980	2.7500	2.1250	4.0470	21.0	BS			4-4-4491-1
1.9980	2.7500	2.1250	4.0470	21.0	UB			4-4-4491
1.9980	2.7500	2.1250	4.1410	21.5	BS			4-4-7341-1
1.9980	2.7500	2.1250	7.0310	22.0	BS			4-4-6101-1
								<i>Flanged end yoke.</i>
1.9980	3.0000	2.1250	4.5000	35.0	BS	4-4-6981-1X	232200	4-4-6971-1
1.9980	3.0000	2.1250	4.5000	35.0	BS	4-4-6981-2X		4-4-6971-2
								<i>Attaching hardware by OEM</i>
2.0000-10 Spline								
2.0000	2.4840	2.4530	4.5000	22.0	UB			4-4-2451-1
2.0000	2.6250	2.1250	4.2030	22.5	BS			4-4-2401-1
2.0000	2.6250	2.1250	4.2030	22.5	UB			4-4-2401
2.0000	2.6250	2.2500	4.2810	22.0	BS			4-4-6211-1
								<i>.364 depth counterbore at hub end.</i>
2.0000	2.7500	2.0000	4.4060	35.0	BS			4-4-2481-1
2.0000	2.7500	3.0000	5.0630	21.5	UB			4-4-2941
2.0000	2.9380	2.5620	4.5940	22.0	BS	4-4-4041-1X	98-1361	4-4-2441-1
2.0000	3.0310	3.0000	5.1250	30.0	BS	4-4-5171-1X	231620	4-4-5161-1
2.0050-15 Involute Spline								
2.0050	2.8750	2.7030	4.6720	26.0	UB			4-4-4421
								<i>.620 depth counterbore at hub end.</i>
2.0080-31 Involute Spline								
2.0080	3.0000	2.7660	4.9380	20.0	BS			4-4-5091-1
2.0080	3.0000	2.9060	5.0620	22.0	BS			4-4-7101-1M
								<i>Metric yoke</i>
2.0240-39 Involute Spline								
2.0240	2.6250	2.2500	4.2660	22.0	BS	4-4-7551-1X	232167	4-4-6471-1
								<i>.250 depth counterbore at hub end.</i>
2.0240	2.6250	2.2550	4.2810	24.5	BS	4-4-5691-1X	232039	4-4-5621-1
2.0240	3.0000	2.2970	4.2810	24.5	BS	4-4-7571-1X	232511	4-4-7561-1
2.0680-32 Involute Spline								
2.0680	2.8750	2.7970	4.9690	21.5	BS	4-4-4751-1X	4-68-94	4-4-4741-1

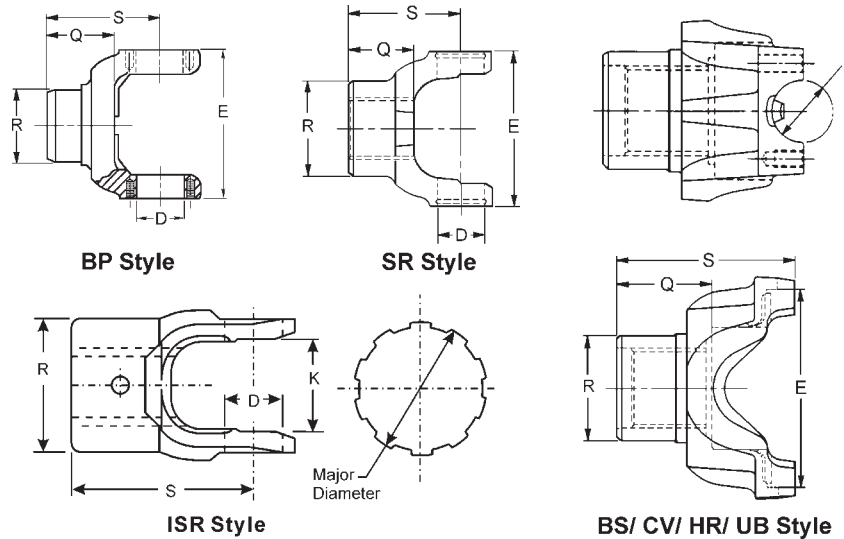


END YOKES with SPLINED HOLES



Major Diameter	R	Q	S	Joint Angle	Style	End Yoke Assy. (incl. slinger) Order When Listed	Slinger Part Number	Spicer Part Number
	Ground Hub Dia.	Length Thru Hole	Centerline to End					
1550 SERIES (Continued)			E-5.250	D-1.375				USE KIT 5-155X
USES U-BOLT ASSY. 3-94-28X, STRAP ASSY. 3-70-38X								
2.0700-32 Involute Spline								
2.0700	2.8750	2.7810	2.8750	21.5	BS	4-4-7251-1X	4-68-94	4-4-7241-1
2.0700	2.8750	2.8120	4.9530	21.5	BS	4-4-7191-1XM	232372	4-4-7181-1M <i>Metric bolt holes</i>
2.0700	2.8750	2.8280	4.9690	21.5	BS	4-4-7091-1XM	4-68-94	4-4-7081-1M <i>Metric bolt holes</i>
2.1140-32 Involute Spline								
2.1140	3.0000	2.2500	4.3120	23.0	BS	4-4-7001-1X	232200	4-4-6991-1 <i>.424 depth counterbore at hub end.</i>
2.1250-16 Involute Spline								
2.1250	3.0000	3.0470	5.0940	24.0	BS			4-4-4361-1
2.1250-33 Involute Spline								
2.1250	2.6250	2.1880	4.5620	30.0	BS			4-4-6021-1
2.1430-41 Involute Spline								
2.1430	2.9380	2.5000	4.5000	18.0	BS	4-4-7491-1X	232604	4-4-5581-1
2.1430	2.9380	2.5000	4.5000	20.0	BS	4-4-5701-1X	231028	4-4-5581-1
2.1680-42 Involute Spline								
2.1680	3.5350	2.0550	4.3120	24.5	BS	4-4-7831-1X	232825	4-4-7821-1
2.1720-43 Involute Spline								
2.1720	3.5310	2.0470	4.4690	—	BS			4-4-7021-1 <i>.157 depth counterbore at hub end.</i>
2.2500-10 Spline								
2.2500	3.0000	3.0000	5.0000	—	BS	4-4-6051-2X		4-4-3931-2 <i>Attaching hardware by OEM</i>
2.2500	3.5000	3.0000	5.1250	22.0	UB			4-4-3501
2.2500	3.5000	3.0000	5.1250	22.5	BS			4-4-3501-1
2.2740-44 Involute Spline								
2.2740	3.0000	2.5000	4.7500	24.0	BS	4-4-7621-1X	232511	4-4-7611-1 <i>.236 depth counterbore at hub end.</i>
2.3640-18 Involute Spline								
2.3640	3.0000	2.7660	4.8440	26.0	UB			4-4-2531
2.3640-36 Involute Spline								
2.3640	3.0000	2.6880	5.0780	22.0	BS	4-4-7111-1X	232200	4-4-7011-1
2.3720-46 Involute Spline								
2.3720	3.0000	3.2810	5.3910	23.0	BS	4-4-7921-1XM	232055	4-4-7911-1M <i>Includes slinger</i>
2.3720	3.0000	3.3440	5.3750	23.0	BS			4-4-7711-1M <i>Metric bolt holes</i>
2.3720	3.0000	3.7340	6.5940	22.5	BS			4-4-7331-1M <i>Metric flanged yoke, .790 depth counterbore at hub end</i>
2.3730-36 Involute Spline								
2.3730	3.2500	2.1720	4.6880	22.5	BS			4-4-6231-1
2.3750-36 Involute Spline								
2.3750	3.0000	2.0310	4.0470	22.0	UB			4-4-3671
1610 SERIES			E-5.312	D-1.875				USE KIT 5-279X, 5-674X
FOR HR STYLE USE STRAP KIT 5-70-28X								
1.6180-18 Involute Spline								
1.6180	2.2000	2.1600	4.1250	20.5	BP			5-4-8041
1.6250-10 Spline								
1.6250	2.3750	2.1250	4.1250	21.0	BP			5-4-2401
1.7500-10 Spline								
1.7500	2.1880	2.2500	4.1250	22.0	BP			5-4-1721 <i>Coupling shaft yoke</i>
1.7500	2.1880	2.2500	4.1250	22.0	HR			5-4-1721-1 <i>Coupling shaft yoke</i>
1.7500	2.3750	2.2500	4.9060	30.0	HR			5-4-6941-1
1.7500	2.4840	2.2500	5.0000	—	BP			5-4-871
1.7500	2.5000	1.9380	4.1250	23.0	BP			5-4-5711
1.7500	2.5000	1.9530	4.1250	22.0	HR			5-4-7631-1





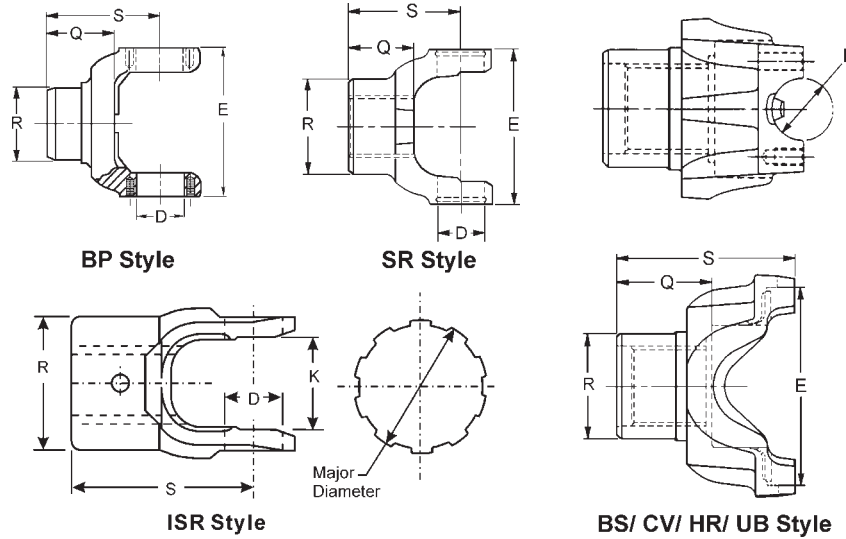
Major Diameter	R	Q	S	Joint Angle	Style	End Yoke Assy. (incl. slinger) Order When Listed	Slinter Part Number	Spicer Part Number
	Ground Hub Dia.	Length Thru Hole	Centerline to End					
1610 SERIES (Continued)				E-5.312	D-1.875	USE KIT 5-279X, 5-674X		
FOR HR STYLE USE STRAP KIT 5-70-28X								
1.7500-10 Spline (Continued)								
1.7500	2.5000	2.1880	4.8750	—	HR			5-4-7031-1
1.7500	2.5000	2.2500	4.1250	22.0	BP			5-4-1051
								<i>.250 depth counterbore at hub end.</i>
1.7500	2.5000	2.2500	4.7200	—	HR			5-4-7581-1
1.7500	2.6250	2.2500	4.1250	14.0	BP			5-4-781
1.7500	2.6250	2.2500	4.7500	26.0	HR	5-4-5111-1X	230909	5-4-2081-1
								<i>.250 depth counterbore at hub end.</i>
1.7500	2.6250	2.2500	4.7500	29.5	BP	5-4-5111X	230909	5-4-2081
								<i>.250 depth counterbore at hub end.</i>
1.7500	2.6250	2.2500	5.0620	26.0	BP			5-4-2521
								<i>.250 depth counterbore at hub end.</i>
1.7500	2.6250	2.2500	5.3440	22.0	HR			5-4-4461-1
1.7500	2.6250	2.2500	5.3440	28.0	BP			5-4-4571
1.7500	2.6250	2.2500	5.3440	32.5	BP			5-4-4461
1.7500	2.6250	2.2500	6.0000	45.0	BP	5-4-4761X	230909	5-4-3901
								<i>.250 depth counterbore at hub end.</i>
1.7500	2.7500	2.2500	4.7500	25.0	BP	5-4-3611X	230795	5-4-1931
1.7500	2.7500	2.2500	4.7500	25.0	BP	5-4-3601X	230794	5-4-1931
1.7500	2.7500	2.2500	5.0000	25.0	BP			5-4-3621
1.7500	2.7500	2.2500	5.4060	28.0	BP	5-4-4491X	230795	5-4-4481
1.7500	2.7500	2.2500	6.0000	45.0	BP	5-4-4441X	230794	5-4-3861
1.7500	2.7500	2.2500	6.0000	45.0	BP	5-4-4451X	230795	5-4-3861
1.7500-27 Involute Spline								
1.7500	2.1250	1.8910	4.7500	30.0	HR			5-4-6981-1
1.7740-34 Spline								
1.7740	2.5000	2.2500	4.8750	28.0	HR	5-4-5621-1X	231206	5-4-5571-1
1.7740	2.5000	2.2500	5.4380	35.0	BP	5-4-5081X	231101	5-4-6261
								<i>.120 depth counterbore at hub end.</i>
1.7740	2.5000	2.2500	5.4380	35.0	HR			5-4-6261-1
								<i>.120 depth counterbore at hub end.</i>
1.7740	2.5000	2.2500	6.0620	45.0	BP	5-4-4901X	231101	5-4-6251
								<i>.120 depth counterbore at hub end.</i>
1.7900-34 Involute Spline								
1.7900	2.1880	2.2500	4.1250	22.0	HR			5-4-7171-1
								<i>Coupling shaft yoke</i>
1.7900	2.2810	2.4220	4.9380	29.5	BP	5-4-8451X	232166	5-4-8011
								<i>.250 depth counterbore at hub end.</i>
1.7900	2.3750	2.2030	4.1250	17.0	HR	5-4-8571-1X	232198	5-4-8561-1
1.7900	2.5000	2.2500	5.4380	35.0	HR			5-4-8911-1



END YOKES with SPLINED HOLES

Major Diameter	R	Q	S	Joint Angle	Style	End Yoke Assy. (incl. slinger) Order When Listed	Slinger Part Number	Spicer Part Number
	Ground Hub Dia.	Length Thru Hole	Centerline to End					
1610 SERIES (Continued)			E-5.312	D-1.875	USE KIT 5-279X, 5-674X			
FOR HR STYLE USE STRAP KIT 5-70-28X								
1.7900-34 Involute Spline (Continued)								
1.7900	2.5620	2.7500	5.3120	18.0	BP	5-4-4841X	231029(PLUG)	5-4-4831
1.7900	2.5620	2.7500	5.3120	18.0	HR	5-4-4841-1X	231059(PLUG)	5-4-4831-1
1.7900	2.5620	2.7500	5.3120	22.5	HR	5-4-8061-1X	231059(PLUG)	5-4-7781-1
1.7900	2.5670	2.8300	5.3100	22.5	BP	5-4-5231X	231059	5-4-5221
1.7900	2.6250	2.1880	4.7500	35.0	BP			5-4-7261
1.7900	2.6250	2.1880	4.7500	35.0	HR	5-4-7301-1X	232039	5-4-7261-1
1.7900	2.6250	2.1880	5.8800	22.0	HR			5-4-7941-1
1.7900	2.6250	2.4220	4.9380	30.0	HR	5-4-8501-1X	232166	5-4-8491-1
								<i>.250 depth counterbore at hub end.</i>
1.7900	2.6250	2.4380	4.9380	26.0	BP			5-4-6341
1.7900	2.6250	2.4380	6.1880	45.0	BP		230909	5-4-6351
1.7900	2.6250	2.4380	6.1880	45.0	BP	5-4-8441X	232166	5-4-8001
								<i>.250 depth counterbore at hub end.</i>
1.8750-10 Spline								
1.8750	2.7500	2.0000	4.4690	22.5	HR			5-4-7701-1
1.8750	2.7500	2.3750	5.0000	25.0	BP			5-4-2501
1.9390-30 Involute Spline								
1.9390	3.0000	2.0000	4.5600	—	HR	5-4-9521-1		5-4-9521-1
1.9390	3.0000	2.2500	4.7500	35.0	BP			5-4-4391
1.9600-10 Spline								
1.9600	2.4380	3.0000	5.5000	21.0	BP			5-4-4721
								<i>Coupling shaft yoke</i>
1.9600	2.7500	2.6250	5.1250	24.0	BP	5-4-5281X	98-1362	5-4-3681
1.9600-6 Spline								
1.9600	2.7500	3.0000	5.0000	22.5	BP	5-4-2031X	330287	5-4-1431
1.9610-10 Spline								
1.9610	2.9380	2.2340	4.3750	21.0	BP			5-4-821
1.9620-10 Spline								
1.9620	2.5000	2.0000	4.5000	25.0	BP			5-4-2541
1.9620	2.6250	2.2500	4.7190	19.5	HR	5-4-5121-1X	230909	5-4-1641-1
								<i>.250 depth counterbore at hub end.</i>
1.9620	2.6250	2.2500	4.7190	25.5	BP	5-4-5121X	230909	5-4-1641
								<i>.250 depth counterbore at hub end.</i>
1.9620	2.6250	2.2500	4.9060	25.0	HR			5-4-7111-1
1.9620	2.6250	2.2500	5.0620	24.0	BP			5-4-3241
								<i>.250 depth counterbore at hub end.</i>
1.9620	2.6250	2.2500	5.3120	28.0	HR	5-4-6361-1X	230909	5-4-4471-1
1.9620	2.6250	2.2500	6.0000	45.0	BP	5-4-4771X	230909	5-4-3911
								<i>.250 depth counterbore at hub end.</i>
1.9620	2.7500	2.6250	5.9380	35.0	BP	5-4-5321X	98-1362	5-4-4221
1.9620	2.7500	2.8120	5.2810	21.5	HR			5-4-7041-1
1.9620	2.7500	2.8120	5.2810	22.5	HR			5-4-8361-1
1.9620	3.0000	2.2500	4.7500	25.0	BP			5-4-2531
								<i>Tapered counterbore at hub end.</i>
1.9620	3.0000	2.2500	5.3750	35.0	BP			5-4-4541
1.9640-10 Spline								
1.9640	2.5000	2.0000	5.2190	35.0	BP			5-4-4551
1.9640	2.7500	2.8120	5.0000	17.0	BP			5-4-5091
1.9640	2.7500	2.8120	5.2810	17.0	HR	5-4-6311-1X	231366	5-4-5091-1
1.9750-10 Spline								
1.9750	2.5940	1.8750	5.4380	22.0	BP			5-4-6651
								<i>Flanged end yoke.</i>
1.9890-30 Involute Spline								
1.9890	3.0000	2.6880	6.0000	33.0	BP	5-4-7251X	231750	5-4-5721
1.9890	3.0000	2.6880	6.0000	45.0	HR	5-4-8671-1X	232199	5-4-8661-1
								<i>.220 depth counterbore at hub end.</i>





Major Diameter	R	Q	S	Joint Angle	Style	End Yoke Assy. (incl. slinger) Order When Listed	Slinter Part Number	Spicer Part Number
	Ground Hub Dia.	Length Thru Hole	Centerline to End					
1610 SERIES (Continued)			E-5.312	D-1.875				USE KIT 5-279X, 5-674X

FOR HR STYLE USE STRAP KIT 5-70-28X

1.9980-38 Involute Spline

1.9980	2.7500	1.9690	4.1560	24.0	BP			5-4-6481
1.9980	2.7500	1.9690	4.1560	24.0	HR			5-4-6481-1
1.9980	2.7500	2.1250	4.0000	19.0	HR			5-4-8971-1
1.9980	2.7500	2.1250	4.0000	20.5	HR			5-4-6321-1
1.9980	2.7500	2.1250	4.0000	21.0	BP			5-4-6321
1.9980	2.7500	2.1250	7.5620	22.0	HR			5-4-7601-1
								<i>Flanged end yoke.</i>
1.9980	3.0000	2.1250	4.8440	—	BP	5-4-5861X	231347	5-4-6131
1.9980	3.0000	2.1250	4.8440	—	BP	5-4-7121X	231750	5-4-6131
1.9980	3.0000	2.1250	4.8440	30.0	HR	5-4-8591-1X	232200	5-4-8581-1

2.0000-10 Spline

2.0000	2.7500	2.0000	4.6880	30.0	HR			5-4-7061-1
2.0000	2.7500	2.0000	4.6880	35.0	BP			5-4-1831
2.0000	2.7500	2.4690	5.7810	35.0	BP			5-4-4381
								<i>.125 depth counterbore at hub end.</i>
2.0000	2.7500	3.0000	5.1880	21.0	BP			5-4-1661
2.0000	2.7500	3.0000	5.4690	21.0	HR			5-4-1661-1
2.0000	2.9380	2.5620	5.1880	—	BP	5-4-5131X	98-1361	5-4-1631
2.0000	2.9380	3.0000	5.0000	22.5	BP			5-4-1521
2.0000	2.9380	3.0000	5.0000	22.5	BP			5-4-1221
2.0000	2.9380	3.0000	5.6250	35.0	BP			5-4-1391
2.0000	3.0310	3.0000	5.6090	22.0	HR	5-4-7101-1X	231620	5-4-6541-1
								<i>Flanged end yoke.</i>

2.0010-19 Involute Spline

2.0010	2.6250	2.0310	4.6880	26.5	HR			5-4-6971-1
--------	--------	--------	--------	------	----	--	--	------------

2.0050-15 Involute Spline

2.0050	2.6250	2.2500	5.9380	22.0	BP			5-4-6641
								<i>Flanged end yoke.</i>

2.0080-31 Involute Spline

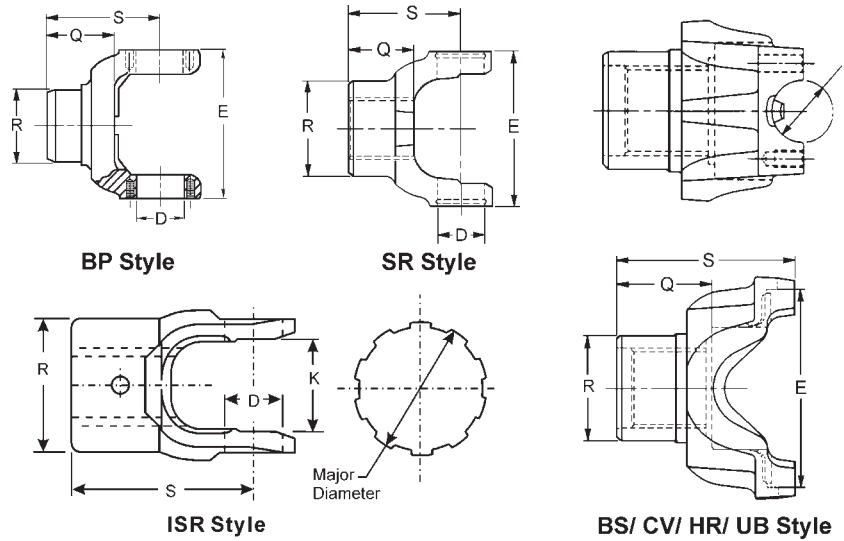
2.0080	2.6250	2.3120	3.9690	8.0	HR	5-4-7691-1X	232189	5-4-7481-1
2.0080	2.7500	2.5780	5.2030	—	HR	5-4-8991-1X		5-4-8981-1
								<i>Flanged end yoke.</i>
2.0080	2.7660	2.0310	4.9530	34.0	HR			5-4-8961-1



END YOKES with SPLINED HOLES

Major Diameter	R	Q	S	Joint Angle	Style	End Yoke Assy. (incl. slinger) Order When Listed	Slinger Part Number	Spicer Part Number
	Ground Hub Dia.	Length Thru Hole	Centerline to End					
1610 SERIES (Continued)			E-5.312	D-1.875	USE KIT 5-279X, 5-674X			
FOR HR STYLE USE STRAP KIT 5-70-28X								
2.0240-39 Spline								
2.0240	2.7500	2.0000	4.5000	28.0	BP			5-4-5881
2.0240	2.7500	2.4380	5.9380	45.0	BP	5-4-6961X	231599	5-4-5441
								<i>.120 depth counterbore at hub end.</i>
2.0240	2.7500	2.4380	6.2500	45.0	BP	5-4-5471X	98-1362	5-4-5461
								<i>.120 depth counterbore at hub end.</i>
2.0240	2.7500	2.4380	6.2500	45.0	BP	5-4-6871X	231599	5-4-5461
								<i>.120 depth counterbore at hub end.</i>
2.0240	2.7500	2.4530	5.1250	22.0	HR	5-4-6951-1X	231599	5-4-5421-1
2.0240	2.7500	2.4530	5.1250	26.0	BP	5-4-6951X	231599	5-4-5421
2.0240	3.0000	2.3120	4.8750	21.0	HR	5-4-6441-1X	231359	5-4-6421-1
2.0240	3.0000	2.3120	4.8750	21.0	HR	5-4-6431-1X	231102	5-4-6421-1
2.0240	3.0000	2.3120	4.8750	22.0	BP	5-4-6431X	231102	5-4-6421
2.0240	3.0000	2.3120	5.5310	32.0	BP	5-4-6281X	231359	5-4-6271
								<i>.120 depth counterbore at hub end.</i>
2.0240	3.0000	2.3120	6.2190	45.0	BP	5-4-6291X	231359	5-4-6241
								<i>.120 depth counterbore at hub end.</i>
2.0240	3.0000	2.3120	6.2190	45.0	HR	5-4-6291-1X	231359	5-4-6241-1
								<i>.120 depth counterbore at hub end.</i>
2.0240-39 Involute Spline								
2.0240	2.6250	2.2340	4.7190	21.5	HR	5-4-8131-1X	232039	5-4-7981-1
2.0240	2.6250	2.2340	4.7190	23.0	BP	5-4-8401X	232167	5-4-7981
2.0240	2.6250	2.2500	4.7500	25.0	BP			5-4-7241
2.0240	2.6250	2.2500	5.3120	34.0	BP	5-4-8411X	232167	5-4-7971
								<i>.250 depth counterbore at hub end.</i>
2.0240	2.6250	2.2500	5.3120	34.0	HR	5-4-8411-1X	232167	5-4-7971-1
								<i>.250 depth counterbore at hub end.</i>
2.0240	2.6250	2.2500	5.3120	35.0	BP	5-4-5991X	230909	5-4-5981
2.0240	2.6250	2.2500	6.0000	45.0	BP	5-4-5971X	230909	5-4-5961
2.0240	2.6250	2.2500	6.0000	45.0	BP	5-4-8421X	232167	5-4-7991
								<i>.250 depth counterbore at hub end.</i>
2.0240	2.6250	2.3450	4.7200	21.5	BS			5-4-9461-1M
								<i>Metric yoke</i>
2.0240	2.6250	2.5000	6.0000	45.0	HR	5-4-9271-1X	232514	5-4-8301-1
2.0240	3.0000	2.2810	4.8750	—	HR	5-4-9231-1X	232511	5-4-9221-1
								<i>.250 depth counterbore at hub end.</i>
2.0240	3.0000	2.2810	6.0000	45.0	HR	5-4-9241-1X	232511	5-4-8261-1
								<i>.250 depth counterbore at hub end.</i>
2.0240	3.0000	2.5000	5.5940	32.0	HR			5-4-9351-1
								<i>.280 depth counterbore at hub end.</i>
2.0320-10 Spline								
2.0320	2.7500	2.0000	4.5000	35.0	BP			5-4-4401
								<i>.120 depth counterbore at hub end.</i>
2.1140-32 Involute Spline								
2.1140	3.0000	2.2340	5.3750	33.5	HR	5-4-8611-1X	232200	5-4-8601-1
								<i>.424 depth counterbore at hub end.</i>
2.1140	3.0000	2.2340	6.0000	45.0	HR	5-4-8691-1X	232200	5-4-8681-1
								<i>.424 depth counterbore at hub end.</i>
2.1140	3.0000	2.2500	5.3750	27.0	BP	5-4-7221X	231750	5-4-5751
								<i>.424 depth counterbore at hub end.</i>
2.1140	3.0000	2.2500	5.3750	27.0	BP			5-4-5751
2.1140	3.0000	2.2500	6.0000	33.0	BP	5-4-7181X	231750	5-4-5731
2.1430-41 Involute Spline								
2.1430	2.9380	2.5000	5.2500	24.5	HR	5-4-7311-1X	231028	5-4-7271-1
2.1430	2.9380	2.5000	5.2500	24.5	HR	5-4-9111-1X	232604	5-4-7271-1
2.1430	2.9380	2.5000	6.0000	37.0	BP	5-4-7571X	231028	5-4-7561
2.1430	2.9380	3.0000	6.5000	37.5	HR			5-4-7551-1
								<i>.380 depth counterbore at hub end.</i>





Major Diameter	R	Q	S	Joint Angle	Style	End Yoke Assy. (incl. slinger) Order When Listed	Slinter Part Number	Spicer Part Number
	Ground Hub Dia.	Length Thru Hole	Centerline to End					
1610 SERIES (Continued)				E-5.312	D-1.875	USE KIT 5-279X, 5-674X		
FOR HR STYLE USE STRAP KIT 5-70-28X								
2.1490-16 Spline								
2.1490	2.9380	3.0000	6.2500	25.0	HR	5-4-5161-1X	231028	5-4-5031-1
								<i>.380 depth counterbore at hub end.</i>
2.1490	2.9380	3.0000	6.2500	45.0	BP	5-4-5161X	231028	5-4-5031
								<i>.380 depth counterbore at hub end.</i>
2.1490	2.9380	3.0000	6.5000	42.0	BP	5-4-5511X	231028	5-4-5501
								<i>.380 depth counterbore at hub end.</i>
2.1490	2.9380	3.0000	6.5000	42.0	BS	5-4-8711X	232367	5-4-5501
								<i>.380 depth counterbore at hub end.</i>
2.1780-43 Involute Spline								
2.1780	3.5310	2.0310	5.4060	33.0	HR			5-4-9141-1
								<i>.120 depth counterbore at hub end.</i>
2.1780	3.5310	2.0310	5.4060	34.0	SR			5-4-9141
								<i>.120 depth counterbore at hub end.</i>
2.1780	3.5470	2.0470	5.2190	33.0	HR			5-4-8461-1
								<i>.157 depth counterbore at hub end.</i>
2.2250-6 Spline								
2.2250	3.0000	3.2500	5.7190	20.0	BP	5-4-4751X	829W	5-4-4741
2.2500-10 Spline								
2.2500	3.0000	3.0000	5.6250	16.0	BP	5-4-6891X	230921	5-4-3141
								<i>.250 depth counterbore at hub end.</i>
2.2500	3.5000	3.0000	5.7500	24.0	BP			5-4-4961
2.2500	3.5000	3.0000	5.7500	26.5	HR	5-4-8391-1X	231616	5-4-4961-1
2.2500	3.5000	3.0000	5.7500	26.5	HR			5-4-4961-1
2.2500	3.7500	3.0000	5.7500	26.0	HR	5-4-7391-1X	231616	5-4-7381-1
2.2600-6 Spline								
2.2600	3.2500	2.2500	4.9380	35.0	BP		232042-6	5-4-1891
2.2600	3.2500	2.2500	4.9380	35.0	HR	5-4-8211-1X	232042-6	5-4-1891-1
2.2740-44 Involute Spline								
2.2740	2.9380	2.3280	4.8440	22.0	HR	5-4-8031-1X	231022	5-4-8021-1
2.2740	2.9380	2.5000	5.0000	22.0	BP	5-4-6381X	231002	5-4-6371
2.2740	2.9380	2.5000	5.0000	22.0	HR	5-4-6381-1X	231002	5-4-6371-1
2.2740	2.9380	2.5000	5.0000	22.0	HR	5-4-8431-1X	232168	5-4-8321-1
2.3640-36 Involute Spline								
2.3640	3.0000	2.6880	5.1560	18.0	BP			5-4-5631
2.3640	3.0000	2.6880	5.1560	18.0	BP	5-4-7201X	231750	5-4-5631
2.3640	3.0000	2.6880	5.1560	20.5	BP	5-4-7211X	231755	5-4-7191
2.3640	3.0000	2.6880	5.1560	21.0	HR	5-4-8651-1X	231755	5-4-8641-1
2.3640	3.0000	2.6880	5.1560	21.0	HR	5-4-8631-1X	232200	5-4-8621-1

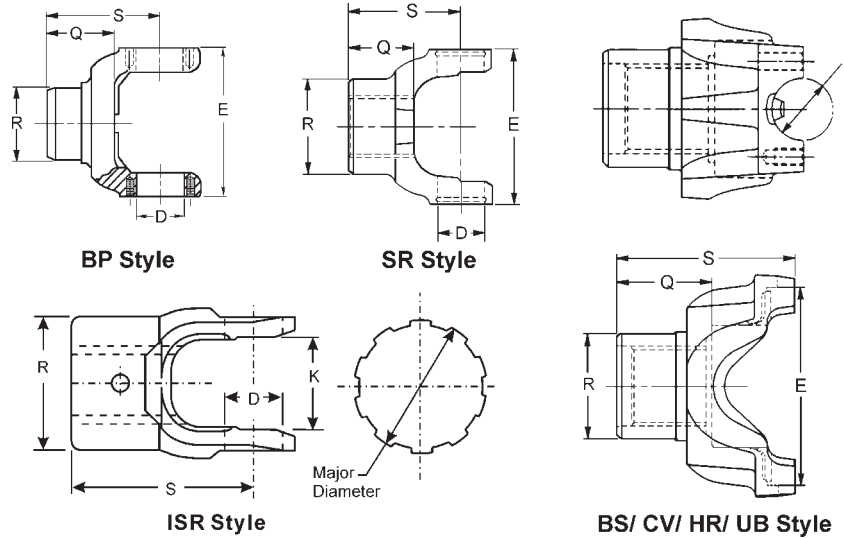


END YOKES with SPLINED HOLES



Major Diameter	R	Q	S	Joint Angle	Style	End Yoke Assy. (incl. slinger) Order When Listed	Slinger Part Number	Spicer Part Number
	Ground Hub Dia.	Length Thru Hole	Centerline to End					
1610 SERIES (Continued)			E-5.312	D-1.875	USE KIT 5-279X, 5-674X			
FOR HR STYLE USE STRAP KIT 5-70-28X								
2.3640-36 Involute Spline (Continued)								
2.3640	3.0000	2.7030	6.0000	33.5	BP	5-4-7231X	231750	5-4-5741
2.3640	3.5000	2.5000	4.9690	—	HR	5-4-9411-1X	232201	5-4-9401-1
2.3720-46 Involute Spline								
2.3720	2.9380	3.3750	6.2340	—	HR			5-4-6521-1 <i>Flanged end yoke</i>
2.3720	3.0000	3.0000	4.5470	8.0	HR	5-4-7441-1X	500166-46	5-4-7431-1 <i>.120 depth counterbore at hub end.</i>
2.3720	3.0000	3.3910	5.7250	22.5	HR	5-4-9181-1XM	232189	5-4-9171-1M <i>Metric, .500 depth counterbore at hub end.</i>
2.3720	3.0000	3.5500	5.8900	22.5	HR	5-4-9631-1X		5-4-9621-1
2.3720	3.0000	3.5500	5.8900	22.5	HR	5-4-9611-1XM	232638	5-4-9601-1M <i>Metric yoke</i>
2.3720	3.0000	3.7340	6.4380	22.5	HR			5-4-8741-1 <i>Metric flanged yoke</i>
2.3730-36 Involute Spline								
2.3730	3.0000	2.0940	4.2500	16.0	BP			5-4-5371 <i>.300 depth counterbore at hub end.</i>
2.3730	3.0000	2.2500	4.3750	12.0	HR			5-4-7091-1 <i>Flanged end yoke.</i>
2.3740-46 Spline								
2.3740	3.2500	2.3120	4.9380	35.0	HR	5-4-7341-1X	232747	5-4-7331-1 <i>.140 depth counterbore at hub end.</i>
2.3740	3.2500	2.3120	4.9400	—	HR	5-4-9541-1X	232746	5-4-9581-1
2.3740	3.2500	2.6250	5.3120	16.0	HR	5-4-5411-1X	231179	5-4-5401-1
2.3740	3.2500	2.8910	4.5470	—	HR	5-4-7361-1X	231615	5-4-7351-1
2.3870-18 Involute Spline								
2.3870	3.0000	2.8910	5.2030	22.0	HR			5-4-5851-1
2.3870	3.0000	3.0940	4.5620	8.0	HR	5-4-6101-1X	500166-46	5-4-5831-1 <i>.120 depth counterbore at hub end.</i>
2.3900-46 Involute Spline								
2.3900	3.5000	3.3910	6.1250	17.0	BP			5-4-4861
2.3900	3.5000	3.3910	6.1250	20.0	HR			5-4-4861-1
2.4220-18 Involute Spline								
2.4220	3.3750	3.0000	6.1250	23.0	HR	5-4-5491-1X	231013	5-4-5361-1 <i>.380 depth counterbore at hub end.</i>
2.5000-10 Spline								
2.5000	3.2500	3.0000	5.6880	35.0	HR	5-4-8351-1X	231179	5-4-8341-1
2.5000	3.7500	3.0000	6.1250	21.0	BP			5-4-4971 <i>W/speedometer gear hub</i>
2.6250-20 Involute Spline								
2.6250	3.7500	2.7500	5.0620	21.0	HR			5-4-6531-1 <i>W/speedometer gear hub</i>
2.6250	3.7500	2.7500	5.5620	21.0	BP			5-4-6531 <i>W/speedometer gear hub</i>





Major Diameter	R	Q	S	Joint Angle	Style	End Yoke Assy. (incl. slinger) Order When Listed	Slinter Part Number	Spicer Part Number
	Ground Hub Dia.	Length Thru Hole	Centerline to End					
1650 SERIES			E-5.594	D-1.625	USE KIT 5-165X			
USES CAP & BOLT ASSY. 5-70-18X								
1.7500-10 Spline								
1.7500	2.1880	2.2500	4.2500	22.0	CB			5-4-2111
1.7500	2.6250	2.2500	4.3750	22.0	CB	5-4-4161X	230909	5-4-2141 .250 depth counterbore at hub end.
1.9690-10 Spline								
1.9690	2.6250	2.2500	4.3750	22.5	CB	5-4-4211X	230897	5-4-2161 .250 depth counterbore at hub end.
2.0000-10 Spline								
2.0000	2.6250	2.1250	4.3750	22.0	CB			5-4-2331
2.0000	2.9380	2.5620	4.9380	—	CB			5-4-5001
2.0000-15 Involute Spline								
2.0000	3.0000	3.2500	5.4060	22.0	CB			5-4-4701 .105 depth counterbore at hub end.
2.3590-18 Involute Spline								
2.3590	2.8750	2.6880	5.2810	23.0	CB			5-4-5821 .460 depth counterbore at hub end.
1710 SERIES			E-6.094 (6.190 FOR HR STYLE)	D-1.938	USE KIT 5-280X, & 5-675X			
FOR HR STYLE USE STRAP KIT 6.5-70-18X								
1.6250-10 Spline								
1.6250	2.3750	2.1250	4.7500	30.0	HR			6-4-7751-1
1.7500-10 Spline								
1.7500	2.6250	2.2500	4.5000	21.0	BP	6-4-5581X	230909	6-4-2081
1.7500	2.6250	2.2500	4.5000	21.0	HR	6-4-5581-1X	230909	6-4-2081-1
1.7500	2.6250	2.2500	5.2500	25.0	BP	6-4-4301X	230909	6-4-3391 .250 depth counterbore at hub end.
1.7500	2.6250	2.2500	5.2500	25.0	HR	6-4-4301-1X	230909	6-4-3391-1 .250 depth counterbore at hub end.
1.7500	2.6250	2.2500	6.1250	45.0	BP	6-4-4861X	230909	6-4-4141
1.7500	2.7500	2.2500	4.8750	25.0	BP			6-4-2381 .060 depth counterbore at hub end.
1.7500	2.7500	2.2500	6.2500	45.0	BP	6-4-4841X	230794	6-4-4091
1.7500	2.7500	2.2500	6.2500	45.0	BP	6-4-4831X	230795	6-4-4091

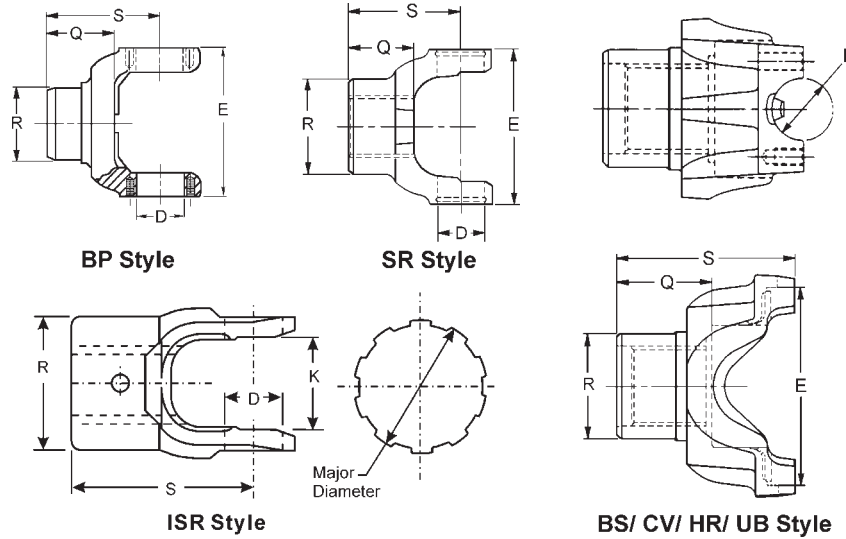


END YOKES with SPLINED HOLES



Major Diameter	R	Q	S	Joint Angle	Style	End Yoke Assy. (incl. slinger) Order When Listed	Slinger Part Number	Spicer Part Number
	Ground Hub Dia.	Length Thru Hole	Centerline to End					
1710 SERIES (Continued)			E-6.094 (6.190 FOR HR STYLE) D-1.938			USE KIT 5-280X, & 5-675X		
FOR HR STYLE USE STRAP KIT 6.5-70-18X								
1.7740-34 Spline								
1.7740	2.5000	2.2500	4.8750	28.0	BP	6-4-5131X	231101	6-4-6331 .090 depth counterbore at hub end.
1.7740	2.5000	2.2500	4.8750	28.0	HR	6-4-5131-1X	231101	6-4-6331-1 .090 depth counterbore at hub end.
1.7740	2.5000	2.2500	5.9690	45.0	BP	6-4-5111X	231101	6-4-6321 .090 depth counterbore at hub end.
1.7740	2.5000	2.2500	5.9690	45.0	HR			6-4-6321-1 .090 depth counterbore at hub end.
1.7750-16 Involute Spline								
1.7750	2.3750	2.0000	4.7500	34.0	BP			6-4-4271 .190 depth counterbore at hub end.
1.7900-34 Involute Spline								
1.7900	2.5000	2.2500	4.8750	28.0	HR			6-4-9021-1 .090 depth counterbore at hub end.
1.7900	2.5620	2.7500	5.5940	25.0	HR	6-4-5041-1X	231059(PLUG)	6-4-5031-1
1.7900	2.5620	2.7500	7.1880	45.0	BP	6-4-5041X	231059(PLUG)	6-4-5031
1.7900	2.6250	2.1880	5.4380	34.0	HR	6-4-7581-1X	232039	6-4-7571-1
1.7900	2.6250	2.4380	5.4380	33.5	HR	6-4-8511-1X	232166	6-4-8081-1 .250 depth counterbore at hub end.
1.7900	2.6250	2.4380	5.4380	34.0	BP	6-4-8511X	232166	6-4-8081 .250 depth counterbore at hub end.
1.7900	2.6250	2.4380	5.4380	34.0	BP			6-4-6481 .250 depth counterbore at hub end.
1.7900	2.6250	2.4380	6.3120	45.0	BP			6-4-6451 .250 depth counterbore at hub end.
1.7900	2.6250	2.4380	6.3120	45.0	BP	6-4-8521X	232166	6-4-8001 .250 depth counterbore at hub end.
1.7900	2.6250	2.4380	6.3120	45.0	HR	6-4-8521-1X	232166	6-4-8001-1 .250 depth counterbore at hub end.
1.7900	2.6250	2.4380	6.3120	45.0	HR			6-4-6451-1 .250 depth counterbore at hub end.
1.8750-14 Involute Spline								
1.8750	3.5940	2.0000	4.5000	20.0	BP			6-4-5281
1.9390-30 Involute Spline								
1.9390	3.0000	2.2500	4.5620	20.0	BP			6-4-4371
1.9600-10 Spline								
1.9600	2.6250	2.0000	5.0000	25.0	BP			6-4-2391
1.9600	2.7500	2.6250	5.2500	21.0	BP	6-4-4361X	98-1362	6-4-3221
1.9600	2.7500	2.6250	5.2500	23.0	BP	6-4-7001X	231541	6-4-7011
1.9600	2.7500	2.6250	5.2500	23.0	BP	6-4-4361-1X	231541	6-4-3221-1
1.9600	2.7500	2.6250	6.5000	45.0	BP	6-4-4481X	98-1362	6-4-4131
1.9600	2.8120	3.0000	5.0000	—	BP			6-4-1981 Coupling shaft yoke
1.9600	2.8120	3.0000	5.0000	25.0	HR			6-4-1981-1 Coupling shaft yoke
1.9600	2.9380	2.2190	4.5000	21.0	BP			6-4-2061 .094 depth counterbore at hub end.
1.9620-10 Spline								
1.9620	2.5000	2.0000	6.0000	45.0	BP			6-4-4261
1.9620	2.6250	2.2500	4.5000	21.5	BP	6-4-4731X	230998	6-4-4721
1.9620	2.6250	2.2500	4.5000	25.0	HR	6-4-4731-1X	230998	6-4-4721-1
1.9620	2.6250	2.2500	5.2500	32.0	BP	6-4-5151X	230909	6-4-5141
1.9620	2.6250	2.2500	6.1250	45.0	BP	6-4-4851X	230909	6-4-4151
1.9620	2.6250	2.2500	6.1250	45.5	HR	6-4-4851-1X	230909	6-4-4151-1
1.9620	2.7500	2.8120	5.1560	21.0	HR			6-4-3831-1
1.9620	2.7500	2.8120	5.1560	25.0	BP			6-4-3831





Major Diameter	R	Q	S	Joint Angle	Style	End Yoke Assy. (incl. slinger) Order When Listed	Slinter Part Number	Spicer Part Number
	Ground Hub Dia.	Length Thru Hole	Centerline to End					

1710 SERIES (Continued) E-6.094 (6.190 FOR HR STYLE) D-1.938 USE KIT 5-280X, & 5-675X

FOR HR STYLE USE STRAP KIT 6.5-70-18X

1.9640-10 Spline

1.9640	2.6250	2.2500	4.5000	21.5	BP			6-4-2211 .250 depth counterbore at hub end.
1.9640	2.7500	2.7500	5.2500	22.5	BP			6-4-3901
1.9640	3.0000	2.2500	4.5620	20.0	BP			6-4-3291

1.9890-30 Involute Spline

1.9890	3.0000	2.7000	6.2800	41.0	BP	6-4-7231X	231750	6-4-5781 .220 depth counterbore at hub end.
1.9890	3.0000	2.7030	6.2810	43.0	HR	6-4-8741-1X	232199	6-4-8731-1 .220 depth counterbore at hub end.

1.9980-38 Involute Spline

1.9980	2.7500	2.1250	5.2500	34.5	BP			6-4-7301
1.9980	2.7500	2.1250	5.2500	34.5	HR			6-4-7301-1
1.9980	2.8100	3.0000	5.0000	25.0				6-4-7141-1 Coupling shaft yoke
1.9980	2.8100	3.0000	5.0000	25.0	BP			6-4-7141 Coupling shaft yoke
1.9980	3.0000	2.1250	4.8440	20.0	BP	6-4-7291X	231751	6-4-6201
1.9980	3.0000	2.1250	4.8440	30.0	HR	6-4-8661-1X	232200	6-4-8651-1

2.0000-10 Spline

2.0000	2.7500	2.0000	5.0000	33.5	BP			6-4-2371
2.0000	2.7500	2.5620	5.1880	25.5	BP	6-4-4391X	230794	6-4-3271
2.0000	2.7500	3.0000	5.2500	24.0	BP			6-4-2361
2.0000	2.7500	3.0000	5.2500	24.0	BS			6-4-2361-1
2.0000	2.9380	2.5620	5.1880	25.0	BP	6-4-4741X	231015	6-4-3241
2.0000	2.9380	2.5620	5.1880	25.0	BP	6-4-4291X	98-1361	6-4-3241
2.0000	2.9380	3.0000	5.6250	25.0	BP			6-4-2191
2.0000	2.9380	3.0000	5.6250	25.0	HR	6-4-7741-1X	98-1361	6-4-2191-1
2.0000	3.2500	3.0000	5.6250	25.0	BP			6-4-2001

2.0000-15 Involute Spline

2.0000	3.2500	2.3750	4.2500	21.0	BP			6-4-3131 Tapered spline.
2.0000	3.2500	2.6880	4.5620	22.0	BP			6-4-5291 .690 depth counterbore at hub end.

2.0050-15 Involute Spline

2.0050	2.8750	2.5000	5.3750	25.0	BP			6-4-3001 .250 depth counterbore at hub end.
--------	--------	--------	--------	------	----	--	--	--

END YOKES with SPLINED HOLES



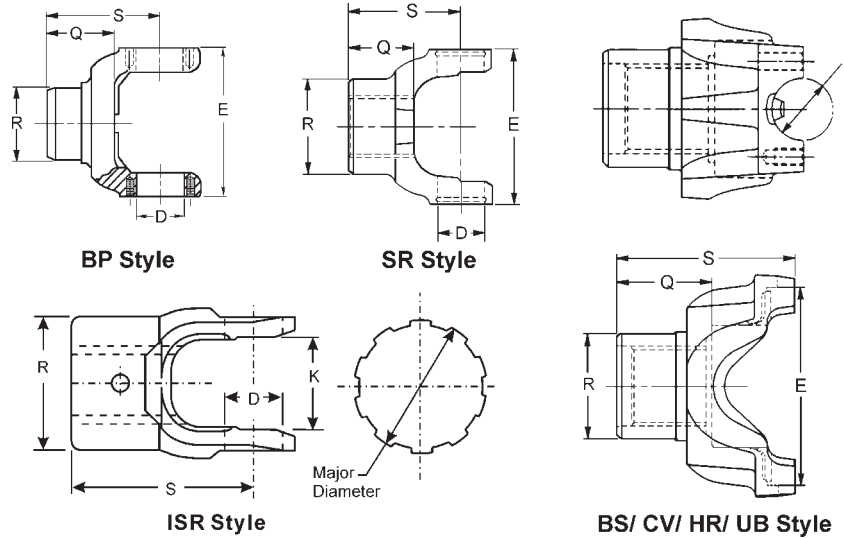
Major Diameter	R	Q	S	Joint Angle	Style	End Yoke Assy. (incl. slinger) Order When Listed	Slinger Part Number	Spicer Part Number
	Ground Hub Dia.	Length Thru Hole	Centerline to End					
1710 SERIES (Continued)			E-6.094 (6.190 FOR HR STYLE) D-1.938			USE KIT 5-280X, & 5-675X		
FOR HR STYLE USE STRAP KIT 6.5-70-18X								
2.0240-39 Spline								
2.0240	2.7500	2.0000	5.0000	33.5	BP	6-4-8331X	232042-2	6-4-5851 .120 depth counterbore at hub end.
2.0240	2.7500	2.0000	5.0000	33.5	HR	6-4-8331-1X	232042-2	6-4-5851-1 .120 depth counterbore at hub end.
2.0240	2.7500	2.0000	5.8750	45.0	BP	6-4-8361X	232042-2	6-4-6571 .120 depth counterbore at hub end.
2.0240	2.7500	2.0000	5.8750	45.0	HR	6-4-8361-1X	232042-2	6-4-6571-1 .120 depth counterbore at hub end.
2.0240	2.7500	2.4380	4.8120	21.5	BP	6-4-6941X	231599	6-4-5541 .090 depth counterbore at hub end.
2.0240	2.7500	2.4380	5.2500	25.0	HR	6-4-6951-1X	231599	6-4-5521-1 .090 depth counterbore at hub end.
2.0240	2.7500	2.4380	5.2500	33.0	BP	6-4-6951X	231599	6-4-5521 .090 depth counterbore at hub end.
2.0240	2.7500	2.4380	6.5000	35.0	BP	6-4-6871X	231599	6-4-5501 .090 depth counterbore at hub end.
2.0240	2.7500	2.4380	6.5000	45.0	HR	6-4-6871-1X	231599	6-4-5501-1 .090 depth counterbore at hub end.
2.0240	3.0000	2.3120	5.1560	28.0	HR	6-4-7631-1X	231102	6-4-7621-1 .105 depth counterbore at hub end.
2.0240	3.0000	2.3120	5.1560	28.0	HR	6-4-8601-1X	232182	6-4-7621-1 .105 depth counterbore at hub end.
2.0240	3.0000	2.3120	5.1560	28.0	HR	6-4-7641-1X	231359	6-4-7621-1 .105 depth counterbore at hub end.
2.0240	3.0000	2.3120	6.2500	43.0	BP	6-4-8571X	232182	6-4-6371 .090 depth counterbore at hub end.
2.0240	3.0000	2.3120	6.2500	43.5	BP	6-4-6391X	231359	6-4-6371 .090 depth counterbore at hub end.
2.0240	3.0000	2.3120	6.2500	43.5	BP	6-4-6381X	231102	6-4-6371 .090 depth counterbore at hub end.
2.0240	3.0000	2.3120	6.2500	43.5	HR	6-4-6391-1X	231359	6-4-6371-1 .090 depth counterbore at hub end.
2.0240	3.0000	2.3120	6.2500	43.5	HR	6-4-8571-1X	232182	6-4-6371-1 .090 depth counterbore at hub end.
2.0240	3.0000	2.3270	5.1560	28.0	BP	6-4-6421X	231359	6-4-6401 .120 depth counterbore at hub end.
2.0240	3.0000	2.3270	5.1560	28.0	BP	6-4-6411X	231102	6-4-6401 .120 depth counterbore at hub end.
2.0240	3.0000	2.3270	5.1560	28.0	HR	6-4-6421-1X	231866	6-4-6401-1 .120 depth counterbore at hub end.
2.0240	3.0000	2.4380	5.1880	27.5	BP	6-4-5101X	231102	6-4-4901 .120 depth counterbore at hub end.
2.0240	3.0000	2.4380	6.2810	45.0	BP			6-4-4971 .120 depth counterbore at hub end.
2.0240	3.0000	2.5000	5.4380	—	HR			6-4-9411-1 .280 depth counterbore at hub end.
2.0240-39 Involute Spline								
2.0240	2.6250	2.2500	5.2500	33.5	BP	6-4-8531X	232167	6-4-7991 .250 depth counterbore at hub end.
2.0240	2.6250	2.2500	5.2500	33.5	BP	6-4-6001X	230909	6-4-5991
2.0240	2.6250	2.2500	5.2500	33.5	HR	6-4-8531-1X	232167	6-4-7991-1 .250 depth counterbore at hub end.
2.0240	2.6250	2.2500	5.2500	33.5	HR	6-4-8231-1X	232039	6-4-7991-1 .250 depth counterbore at hub end.
2.0240	2.6250	2.2500	6.1250	45.0	BP	6-4-6021X	230909	6-4-6011 .250 depth counterbore at hub end.
2.0240	2.6250	2.2500	6.1250	45.0	BP	6-4-8541X	232167	6-4-7981 .250 depth counterbore at hub end.
2.0240	2.6250	2.2500	6.1250	45.0	HR	6-4-8541-1X	232167	6-4-7981-1 .250 depth counterbore at hub end.



END YOKES with SPLINED HOLES

Major Diameter	R	Q	S	Joint Angle	Style	End Yoke Assy. (incl. slinger) Order When Listed	Slinger Part Number	Spicer Part Number
	Ground Hub Dia.	Length Thru Hole	Centerline to End					
1710 SERIES (Continued)			E-6.094 (6.190 FOR HR STYLE) D-1.938			USE KIT 5-280X, & 5-675X		
FOR HR STYLE USE STRAP KIT 6.5-70-18X								
2.1260-33 Involute Spline								
2.1260	3.0000	2.5000	4.5620	21.0	BP			6-4-5471
2.1430-41 Involute Spline								
2.1430	2.9380	2.5000	5.1880	29.0	HR	6-4-9171-1X	232604	6-4-7311-1
2.1430	2.9380	2.5000	5.1880	29.0	HR	6-4-7321-1X	231028	6-4-7311-1
2.1430	2.9380	2.5000	6.1250	39.0	BP	6-4-7561X	231028	6-4-7551
2.1430	2.9380	2.5000	6.1250	39.0	BP	6-4-9181X	232604	6-4-7551
2.1430	2.9380	2.5000	6.1250	39.0	HR	6-4-7561-1X	231038	6-4-7551-1
2.1430	2.9380	2.5000	6.1250	39.0	HR	6-4-9181-1X	232604	6-4-7551-1
2.1430	2.9380	3.0000	6.6250	38.0	BP	6-4-9191X	232609	6-4-7541
								<i>.380 depth counterbore at hub end.</i>
2.1430	2.9380	3.0000	6.6250	38.0	BP	6-4-7651X	231028	6-4-7541
								<i>.380 depth counterbore at hub end.</i>
2.1430	2.9380	3.0000	6.6250	39.0	HR	6-4-9191-1X	232609	6-4-7541-1
								<i>.380 depth counterbore at hub end.</i>
2.1490-16 Spline								
2.1490	2.9380	2.5000	5.1880	25.5	BP	6-4-5061X	231022	6-4-4961
2.1490	2.9380	3.0000	5.5000	22.0	BP	6-4-4171X	231028	6-4-2181
								<i>.380 depth counterbore at hub end.</i>
2.1490	2.9380	3.0000	5.5000	30.0	HR	6-4-4171-1X	231028	6-4-2181-1
								<i>.380 depth counterbore at hub end.</i>
2.1490	2.9380	3.0000	6.6250	38.0	BP	6-4-5481X	231028	6-4-4591
								<i>.380 depth counterbore at hub end.</i>
2.1490	2.9380	3.0000	6.6250	39.0	HR	6-4-9841-1X	232367	6-4-4591-1
								<i>.380 depth counterbore at hub end.</i>
2.1490	3.0000	2.5000	4.9400	25.0	BP			6-4-3491
								<i>.380 depth counterbore at hub end.</i>
2.1780-43 Involute Spline								
2.1780	3.5310	2.0310	4.8750	20.0	HR			6-4-9221-1
								<i>.157 depth counterbore at hub end.</i>
2.1780	3.5310	2.0310	4.8750	22.0	SR			6-4-9221
								<i>.157 depth counterbore at hub end.</i>
2.1780	3.5390	2.0470	4.8750	20.0	HR			6-4-8561-1
								<i>.157 depth counterbore at hub end.</i>
2.1780	3.5390	2.0470	4.8750	22.0	BP			6-4-8561
								<i>.157 depth counterbore at hub end.</i>
2.2250-6 Spline								
2.2250	2.8750	3.2500	5.3120	—	BP	6-4-2601X	98-1361	6-4-2331
2.2250	3.0000	3.2500	5.3120	22.0	BP	6-4-3041X	829-W	6-4-3031
2.2250	3.0000	3.2500	5.3120	22.0	BP	6-4-3461X	330499	6-4-3031
2.2250	3.0000	3.2500	5.4380	22.0	HR	6-4-3041-1X	829-W	6-4-3031-1
2.2500-10 Spline								
2.2500	3.0000	2.8750	5.2500	—	BP			6-4-2511
2.2500	3.0000	3.0000	5.2500	14.0	BP			6-4-3871
2.2500	3.0000	3.0000	6.0620	24.0	BP	6-4-4411X	230921	6-4-1991
								<i>.250 depth counterbore at hub end.</i>
2.2500	3.0000	3.0000	6.0620	24.0	HR	6-4-4411-1X	230921	6-4-1991-1
								<i>.250 depth counterbore at hub end.</i>
2.2500	3.0000	3.0000	7.1880	45.0	BP	6-4-6891X	230921	6-4-4121
								<i>.250 depth counterbore at hub end.</i>
2.2500	3.1250	2.2500	5.2500	25.0	BP			6-4-2441
2.2500	3.2500	2.2500	—	33.5	BP			6-4-3541
2.2500	3.2500	2.2500	5.2500	25.0	BP			6-4-1971
2.2500	3.2500	3.0000	5.2500	—	BP	6-4-4681X	230746	6-4-2501
								<i>.250 depth counterbore at hub end.</i>
2.2500	3.3120	2.2500	5.2970	36.0	HR	6-4-8281-1X	232042-6	6-4-8271-1
2.2500	3.5000	3.0000	5.2500	19.0	BP	6-4-6771X	230674	6-4-2141
2.2500	3.5000	3.0000	5.2500	25.0	HR	6-4-6901-1X	231616	6-4-6861-1
2.2500	3.7500	3.0000	5.2500	25.0	HR	6-4-7381-1X	231616	6-4-7371-1





Major Diameter	R	Q	S	Joint Angle	Style	End Yoke Assy. (incl. slinger) Order When Listed	Slinter Part Number	Spicer Part Number
	Ground Hub Dia.	Length Thru Hole	Centerline to End					
1710 SERIES (Continued)			E-6.094 (6.190 FOR HR STYLE) D-1.938			USE KIT 5-280X, & 5-675X		
FOR HR STYLE USE STRAP KIT 6.5-70-18X								
2.2740-44 Involute Spline								
2.2740	2.9380	2.3440	6.0000	40.0	BP		231022	6-4-9551
2.2740	2.9380	2.3590	5.0310	27.5	BP	6-4-7971X		6-4-7961
2.2740	2.9380	2.3590	5.0310	27.5	HR	6-4-9161-1X	232604	6-4-7961-1
2.2740	2.9380	2.3590	5.0310	27.5	HR	6-4-7971-1X	231022	6-4-7961-1
2.2740	2.9380	2.5000	5.1880	25.5	HR	6-4-8551-1X	232168	6-4-8461-1
2.2740	2.9380	2.5000	5.1880	25.5	HR	6-4-6041-1X	231022	6-4-8461-1
2.2740	2.9380	2.5000	5.1880	27.0	BP	6-4-8551X	232168	6-4-8461
2.2740	2.9380	2.5000	5.1880	27.0	BP	6-4-6041X	231022	6-4-8461
2.2740	3.0000	2.5000	5.1880	30.0	HR	6-4-8981-1X	232511	6-4-8451-1
<i>.236 depth counterbore at hub end.</i>								
2.3430-45 Involute Spline								
2.3430	3.7500	3.0000	5.2500	25.0	BP	6-4-7271X	231616	6-4-7251
2.3430	3.7500	3.0000	5.2500	25.0	HR	6-4-7271-1X	231616	6-4-7251-1
2.3500-16 Spline								
2.3500	3.3120	2.7500	4.9380	20.5	BP	6-4-5071X	230746	6-4-4601
<i>Coupling shaft yoke</i>								
2.3500	3.3120	2.7500	4.9380	20.5	HR			6-4-4601-1
<i>Coupling shaft yoke</i>								
2.3500	3.5000	3.0000	5.6250	30.0	HR			6-4-7281-1
<i>Coupling shaft yoke</i>								
2.3500	3.7500	2.7500	5.1880	19.5	BP			6-4-5341
<i>W/speedometer gear hub</i>								
2.3510-16 Spline								
2.3510	3.7500	2.7500	5.1880	19.5	BP			6-4-4531
<i>W/speedometer gear hub</i>								
2.3600-18 Involute Spline								
2.3600	3.5000	3.3750	6.0940	21.0	BP			6-4-5271
2.3640-18 Involute Spline								
2.3640	3.0000	2.7500	5.2810	12.0	BP			6-4-5831
<i>.440 depth counterbore at hub end.</i>								
2.3640	3.5000	3.3750	5.7500	18.0	BP			6-4-4561
2.3640	3.5000	3.3750	5.7500	18.0	HR			6-4-4561-1
2.3640	3.5000	3.3750	6.0620	24.0	BP			6-4-6671
2.3640	3.7500	2.3440	5.0940	23.0	BP			6-4-6971
<i>W/speedometer gear hub</i>								
2.3640-36 Involute Spline								
2.3640	3.0000	2.6880	5.4380	22.0	BP	6-4-7191X	231750	6-4-5711
2.3640	3.0000	2.6880	5.4380	22.0	HR	6-4-8701-1X	232200	6-4-8691-1
2.3640	3.0000	2.6880	5.4380	28.5	BP	6-4-7211X	231755	6-4-7201

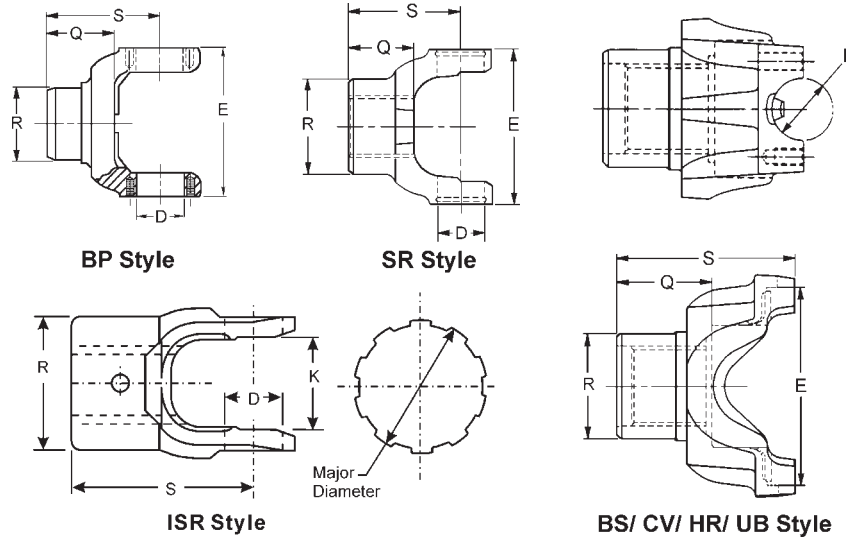


END YOKES with SPLINED HOLES



Major Diameter	R	Q	S	Joint Angle	Style	End Yoke Assy. (incl. slinger) Order When Listed	Slinger Part Number	Spicer Part Number
	Ground Hub Dia.	Length Thru Hole	Centerline to End					
1710 SERIES (Continued)			E-6.094 (6.190 FOR HR STYLE) D-1.938			USE KIT 5-280X, & 5-675X		
FOR HR STYLE USE STRAP KIT 6.5-70-18X								
2.3640-36 Involute Spline (Continued)								
2.3640	3.0000	2.6880	5.4380	28.5	HR	6-4-8721-1X	232199	6-4-8711-1
2.3640	3.0000	2.6880	6.5000	45.0	BP	6-4-7241X	231750	6-4-5801
2.3640	3.0000	2.7030	6.5000	41.5	HR	6-4-8781-1X	232200	6-4-8771-1
2.3640	3.5000	2.5000	5.2340	30.0	HR	6-4-8801-1X	232201	6-4-8791-1
<i>.306 depth counterbore at hub end.</i>								
2.3720-46 Involute Spline								
2.3720	3.0000	3.1650	5.8900	—	HR			6-4-9771-1M
2.3720	3.0000	3.5000	5.7500	25.0	HR		232646	6-4-9321-1XM
2.3720	3.0000	3.5000	5.7500	25.0	HR	6-4-9321-1XM	232646	6-4-9311-1M
<i>Metric yoke</i>								
2.3720	3.0000	3.8700	6.3400	25.0	BS	6-4-9811-1XM	232638	6-4-9801-1M
2.3720	3.0000	3.8750	6.3440	25.0	HR	6-4-9791-1X		6-4-9781-1
2.3720	3.0000	3.9380	6.3440	25.0	HR	6-4-8881-1X		6-4-8871-1
2.3720	3.0000	3.9400	6.3400	25.0	HR	6-4-9831-1XM	232855	6-4-9821-1M
2.3720	3.0000	4.0000	6.3440	22.0	HR	6-4-6241-1X	9-68-43	6-4-6211-1
2.3720	3.1100	3.2500	5.6300	—	HR			6-4-9761-1M
2.3720	3.1250	3.0510	6.2300	11.5	HR			6-4-6231-1
<i>.500 depth counterbore at hub end.</i>								
2.3730-36 Involute Spline								
2.3730	3.0000	1.8440	4.2500	22.0	BP			6-4-5741
<i>.300 depth counterbore at hub end.</i>								
2.3730	3.0000	2.0940	4.2500	22.5	HR			6-4-8831-1
<i>.310 depth counterbore at hub end.</i>								
2.3730	3.3750	2.5000	5.0940	30.0	HR			6-4-7081-1
2.3740-46 Spline								
2.3740	3.2500	2.3120	5.1250	22.5	HR	6-4-9531-1X	232746	6-4-9911-1
<i>.140 depth counterbore at hub end.</i>								
2.3740	3.2500	2.3280	5.3910	29.0	BP	6-4-7181X	231803	6-4-7161
<i>.140 depth counterbore at hub end.</i>								
2.3740	3.2500	2.3280	5.3910	29.0	HR	6-4-7181-1X	231803	6-4-7161-1
<i>.140 depth counterbore at hub end.</i>								
2.3740	3.2500	2.3440	6.5000	45.0	BP	6-4-7771X	231803	6-4-7761
<i>.140 depth counterbore at hub end.</i>								
2.3740	3.2500	2.3440	6.5000	45.0	HR	6-4-7771-1X	231803	6-4-7761-1
<i>.140 depth counterbore at hub end.</i>								
2.3740	3.2500	2.6250	5.6880	22.0	BP	6-4-5461X	231179	6-4-5451
2.3740	3.2500	2.6250	5.6880	22.0	HR	6-4-5461-1X	231179	6-4-5451-1
2.3740	3.2500	2.8750	5.9380	26.0	BP	6-4-6961X	231615	6-4-5931
<i>.140 depth counterbore at hub end.</i>								
2.3740	3.2500	2.8750	5.9380	26.0	BP	6-4-5961X	231179	6-4-5931
<i>.140 depth counterbore at hub end.</i>								
2.3740	3.2500	2.8750	5.9380	26.0	HR	6-4-6961-1X	231615	6-4-5931-1
<i>.140 depth counterbore at hub end.</i>								
2.3740	3.2500	2.8750	5.9380	26.0	HR	6-4-5961-1X	231179	6-4-5931-1
<i>.140 depth counterbore at hub end.</i>								
2.3740	3.2500	2.8910	6.9380	45.0	BP	6-4-7851X	231615	6-4-7831
<i>.140 depth counterbore at hub end.</i>								
2.3740	3.2500	2.8910	6.9380	45.0	HR	6-4-7851-1X	231615	6-4-7831-1
<i>.140 depth counterbore at hub end.</i>								
2.3740	3.5000	2.4060	5.1560	22.0	HR	6-4-8341-1X	232042-10	6-4-5841-1
2.3740	3.5000	2.4060	5.1560	27.5	BP	6-4-8341X	232042-10	6-4-5841
2.3740	3.7520	2.4220	4.9380	27.0	BP	6-4-7881X	231527	6-4-6601
<i>Includes speedometer gear</i>								
2.3740	3.7520	2.4220	4.9380	27.0	BP	6-4-7891X	231528	6-4-6601
<i>W/speedometer gear hub</i>								
2.3740	3.7520	2.4220	4.9380	27.0	HR	6-4-7881-1X	231527	6-4-6601-1
<i>W/speedometer gear hub</i>								
2.3740	3.7520	2.4220	4.9380	27.0	HR	6-4-7891-1X	231528	6-4-6601-1
<i>W/speedometer gear hub</i>								





Major Diameter	R	Q	S	Joint Angle	Style	End Yoke Assy. (incl. slinger) Order When Listed	Slinter Part Number	Spicer Part Number
	Ground Hub Dia.	Length Thru Hole	Centerline to End					
1710 SERIES (Continued)			E-6.094 (6.190 FOR HR STYLE) D-1.938			USE KIT 5-280X, & 5-675X		
FOR HR STYLE USE STRAP KIT 6.5-70-18X								
2.3750-16 Spline								
2.3750	3.1250	2.8120	5.3120	28.0	BP		6-4-3081	
							<i>.690 depth counterbore at hub end.</i>	
2.3770-18 Involute Spline								
2.3770	2.9530	2.8750	3.8750	8.0	BP		6-4-6501	
							<i>Tapered counterbore at hub end.</i>	
2.3900-46 Involute Spline								
2.3900	2.8750	2.7500	4.9380	20.5	HR		6-4-7481-1	
							<i>Coupling shaft yoke, .500 depth counterbore at hub end.</i>	
2.3900	3.2500	2.8750	5.9380	29.0	HR		6-4-9131-1	
							<i>.140 depth counterbore at hub end.</i>	
2.3900	3.3750	3.1880	6.0000	23.0	HR	6-4-7531-1X	231013	6-4-7511-1
							<i>.580 depth counterbore at hub end.</i>	
2.3900	3.3750	3.1880	6.0000	25.0	BP	6-4-7531X	231013	6-4-7511
							<i>.580 depth counterbore at hub end.</i>	
2.3900	3.5000	3.3750	5.7500	16.0	BP		6-4-4771	
2.3900	3.5000	3.3750	5.7500	16.0	HR		6-4-4771-1	
2.4220-18 Involute Spline								
2.4220	3.3750	3.0000	5.2500	12.5	BP		6-4-3161	
2.4220	3.3750	3.0000	5.8120	20.0	HR	6-4-4751-1X	231013	6-4-4581-1
							<i>.380 depth counterbore at hub end.</i>	
2.4220	3.3750	3.0000	5.8120	26.5	BP	6-4-4751X	231013	6-4-4581
							<i>.380 depth counterbore at hub end.</i>	
2.4500-47 Involute Spline								
2.4500	3.9000	2.4280	5.1900	27.0	BP		6-4-8471	
							<i>.750 depth counterbore at hub end.</i>	
2.5000-10 Spline								
2.5000	3.2500	3.0000	4.8750	25.0	BP	6-4-6761X	231179	6-4-2251
2.5000	3.2500	3.0000	5.0000	25.0	HR	6-4-6761-1X	231179	6-4-2251-1
2.5000	3.2500	3.0000	5.7500	29.0	BP	6-4-9151X	231179	6-4-9141
2.5000	3.5000	2.4060	5.1560	28.0	HR	6-4-8351-1X	232042-11	6-4-4421-1
2.5000	3.5000	3.0000	5.7500	29.0	BP			6-4-4781
2.5000	3.7500	3.0000	5.6250	30.0	BP	6-4-6921X	231616	6-4-6611
							<i>W/speedometer gear hub</i>	
2.5000	3.7500	3.0000	5.6250	30.0	HR	6-4-6921-1X	231616	6-4-6611-1
							<i>W/speedometer gear hub</i>	
2.5000-24 Involute Spline								
2.5000	3.0000	2.4220	4.6720	22.5	HR			6-4-8841-1

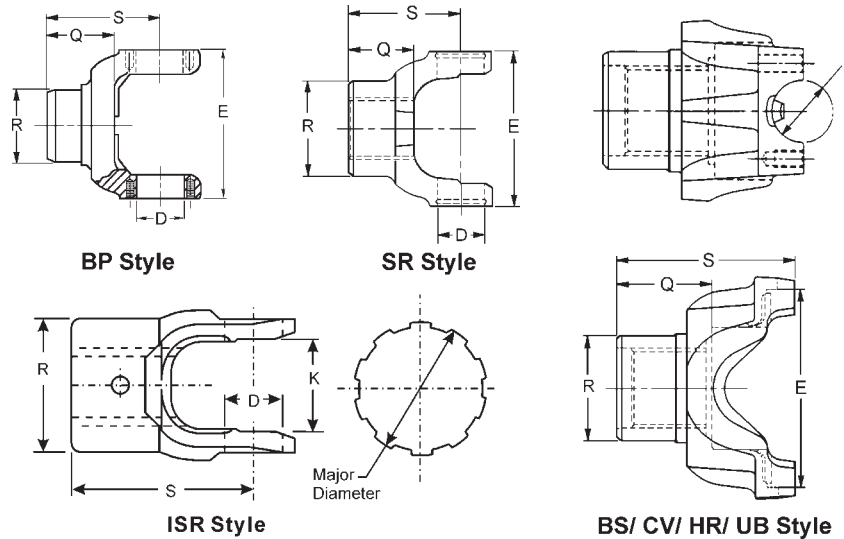


END YOKES with SPLINED HOLES



Major Diameter	R	Q	S	Joint Angle	Style	End Yoke Assy. (incl. slinger) Order When Listed	Slinger Part Number	Spicer Part Number
	Ground Hub Dia.	Length Thru Hole	Centerline to End					
1710 SERIES (Continued)			E-6.094 (6.190 FOR HR STYLE) D-1.938			USE KIT 5-280X, & 5-675X		
FOR HR STYLE USE STRAP KIT 6.5-70-18X								
2.5440-49 Involute Spline								
2.5440	3.7550	3.0000	5.6250	22.0	BP	6-4-7041X	231616	6-4-7051 <i>W/speedometer gear hub</i>
2.5440	3.7550	3.0000	5.6250	22.5	HR	6-4-7041-1X	231616	6-4-7051-1 <i>W/speedometer gear hub</i>
2.5440	4.0000	2.7500	5.1880	20.0	BP			6-4-7691 <i>.180 depth counterbore at hub end.</i>
2.5440	4.0000	2.7500	5.1880	20.0	HR			6-4-7691-1 <i>.180 depth counterbore at hub end.</i>
2.5880-40 Involute Spline								
2.5880	4.0000	3.5100	6.3400	25.0	HR	6-4-9751-1XM	232760	6-4-9741-1M
2.5880	4.0000	3.6400	6.3400	25.0	HR	6-4-9571-1XM	232759	6-4-9561-1M
2.6310-25 Involute Spline								
2.6310	3.6250	2.5620	5.2500	—	BP			6-4-4921 <i>1.000 depth counterbore at hub end.</i>
2.6310	3.6250	3.0000	5.2500	30.0	BP			6-4-3021
2.6350-20 Involute Spline								
2.6350	3.1880	2.7500	5.1880	20.0	BP			6-4-7681
2.6350	3.7500	2.7500	5.1880	21.0	BP	6-4-7071X	231745	6-4-5351 <i>W/speedometer gear hub</i>
2.6350	3.7500	2.7500	5.1880	21.0	HR	6-4-7071-1X	231745	6-4-5351-1 <i>W/speedometer gear hub</i>
2.7500-10 Spline								
2.7500	3.5000	3.0000	5.7500	22.0	BP	6-4-5251X	230674	6-4-4551
2.7500	3.5000	3.0000	5.7500	22.0	HR			6-4-4551-1
2.7500	3.7500	3.0000	5.7500	20.0	HR	6-4-6841-1X	230902	6-4-6631-1
2.7500	3.7500	3.0000	5.7500	20.5	BP	6-4-6841X	230902	6-4-6631
2.7500	3.7500	3.0000	5.7500	20.5	HR	6-4-6931-1X	231616	6-4-6821-1
2.7500	3.7500	3.0000	5.7500	22.0	BP	6-4-6931X	231616	6-4-6821
2.7500	3.8120	3.0000	5.7500	20.5	HR			6-4-7661-1 <i>Hub diameter not ground.</i>
2.7500	4.0000	2.9380	5.3120	20.0	BP			6-4-4651 <i>W/speedometer gear hub</i>
2.7500	4.0000	2.9380	5.3120	20.0	HR			6-4-4651-1 <i>W/speedometer gear hub</i>
2.7840-55 Involute Spline								
2.7840	4.7190	2.0470	5.0000	26.5	BP			6-4-8851 <i>Metric spline</i>
2.7840	4.7190	2.0470	5.0000	27.0	HR			6-4-8851-1 <i>Metric spline</i>
2.7940-54 Involute Spline								
2.7940	—	2.7500	5.6250	—	BP			6-4-9231
2.7940	—	2.7500	5.6250	—	HR			6-4-9231-1
2.9220-22 Involute Spline								
2.9220	3.5000	2.6250	5.2500	29.0	BP			6-4-5201
2.9220	3.7500	2.6410	5.0000	18.0	HR			6-4-8821-1





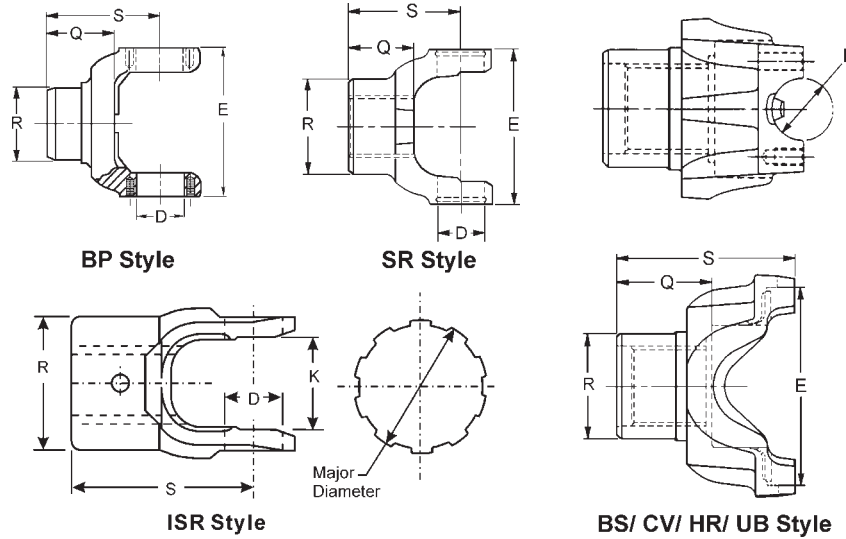
Major Diameter	R	Q	S	Joint Angle	Style	End Yoke Assy. (incl. slinger) Order When Listed	Slinter Part Number	Spicer Part Number
	Ground Hub Dia.	Length Thru Hole	Centerline to End					
1760 SERIES			E-7.000 (7.094 FOR HR STYLE) D-1.938			USE KIT 5-407X, 5-677X		
FOR HR STYLE USE STRAP KIT 6.5-70-18X								
1.9390-30 Involute Spline								
1.9390	3.0000	2.2500	5.2500	30.0	BP			6.3-4-431
1.9640-10 Spline								
1.9640	2.6250	2.2500	5.6250	30.0	BP	6.3-4-221X	230998	6.3-4-111 .250 depth counterbore at hub end.
2.0000-10 Spline								
2.0000	2.9380	2.5620	5.3750	30.0	BP	6.3-4-181X	98-1361	6.3-4-71
2.0240-39 Spline								
2.0240	2.7500	2.4380	5.2500	30.0	HR	6.3-4-801-1X	231599	6.3-4-601-1 .125 depth counterbore at hub end.
2.0240	3.0000	2.3120	5.1880	30.0	BP	6.3-4-541X	231047	6.3-4-531 .125 depth counterbore at hub end.
2.0240	3.0000	2.3120	5.1880	30.0	HR	6.3-4-541-1X	231047	6.3-4-531-1 .125 depth counterbore at hub end.
2.0240	3.0000	2.4380	5.1880	30.0	BP	6.3-4-191X	231047	6.3-4-81 .120 depth counterbore at hub end.
2.0240-39 Involute Spline								
2.0240	3.0000	2.2500	5.6250	30.0	HR	6.3-4-1711-1X	232199	6.3-4-1701-1 .280 depth counterbore at hub end.
2.1140-32 Involute Spline								
2.1140	3.0000	2.2500	5.0000	30.5	HR	6.3-4-1521-1X	232200	6.3-4-1511-1 .424 depth counterbore at hub end.
2.1430-41 Involute Spline								
2.1430	2.9380	2.5000	5.2500	30.0	BP	6.3-4-1071X	231028	6.3-4-1061
2.1430	2.9380	2.5000	5.2500	30.0	HR	6.3-4-1071-1X	231028	6.3-4-1061-1
2.1490-16 Spline								
2.1490	2.9380	2.5000	5.2500	30.0	BP	6.3-4-231X	231022	6.3-4-121
2.1490	2.9380	3.0000	5.8120	30.0	BP	6.3-4-251X	231028	6.3-4-141 .380 depth counterbore at hub end.
2.1490	2.9380	3.0000	5.8120	30.0	HR	6.3-4-251-1X	231028	6.3-4-141-1 .380 depth counterbore at hub end.
2.1780-43 Involute Spline								
2.1780	3.5390	2.0500	5.5000	30.0	HR			6.3-4-1591-1 .157 depth counterbore at hub end.
2.2250-6 Spline								
2.2250	3.0000	3.2500	6.0000	30.0	BP	6.3-4-171X	829W	6.3-4-51
2.2250	3.0000	3.2500	6.0000	30.0	HR	6.3-4-171-1X	829-W	6.3-4-51-1



END YOKES with SPLINED HOLES

Major Diameter	R	Q	S	Joint Angle	Style	End Yoke Assy. (incl. slinger) Order When Listed	Slinger Part Number	Spicer Part Number	
	Ground Hub Dia.	Length Thru Hole	Centerline to End						
1760 SERIES (Continued)			E-7.000 (7.094 FOR HR STYLE)			D-1.938	USE KIT 5-407X, 5-677X		
FOR HR STYLE USE STRAP KIT 6.5-70-18X									
2.2500-10 Spline									
2.2500	3.0000	3.0000	5.8440	30.0	BP	6.3-4-731X	230921	6.3-4-91 .250 depth counterbore at hub end.	
2.2500	3.0000	3.0000	5.8440	30.0	HR	6.3-4-731-1X	230921	6.3-4-91-1 .250 depth counterbore at hub end.	
2.2500	3.7500	3.0000	5.6250	30.0	HR	6.3-4-1101-1X	231616	6.3-4-1091-1	
2.2500	3.7500	3.0000	5.6250	30.0	HR			6.3-4-1091-1	
2.2740-44 Involute Spline									
2.2740	2.9380	2.3280	5.0940	30.0	BP	6.3-4-1331X	231022	6.3-4-1321	
2.2740	2.9380	2.3280	5.0940	30.0	HR	6.3-4-1331-1X	231022	6.3-4-1321-1	
2.2740	2.9380	2.3280	5.0940	30.0	HR	6.3-4-1621-1X	232604	6.3-4-1321-1	
2.2740	2.9380	2.5000	5.2500	30.0	BP	6.3-4-331X	231022	6.3-4-1421	
2.2740	2.9380	2.5000	5.2500	30.0	BP	6.3-4-1481X	232168	6.3-4-1421	
2.2740	2.9380	2.5000	5.2500	30.0	HR	6.3-4-331-1X	231022	6.3-4-1421-1	
2.2740	2.9380	2.5000	5.2500	30.0	HR	6.3-4-1481-1X	232168	6.3-4-1421-1	
2.2740	3.0000	2.5000	5.2500	30.0	BP	6.3-4-5221X	232511	6.3-4-1411 .236 depth counterbore at hub end.	
2.2740	3.0000	2.5000	5.2500	30.0	HR	6.3-4-5221-1X	232511	6.3-4-1411-1 .236 depth counterbore at hub end.	
2.3430-45 Involute Spline									
2.3430	3.7500	3.0000	5.6560	30.0	BP	6.3-4-901X	231616	6.3-4-841	
2.3430	3.7500	3.0000	5.6560	30.0	HR	6.3-4-901-1X	231616	6.3-4-841-1	
2.3500-16 Spline									
2.3500	2.8750	2.7500	5.5000	30.0	BP			6.3-4-161 Coupling shaft yoke	
2.3500	2.8750	2.7500	5.5000	30.0	HR			6.3-4-161-1 Coupling shaft yoke	
2.3640-18 Involute Spline									
2.3640	3.5000	3.3750	6.1250	30.0	BP			6.3-4-271	
2.3640	3.5000	3.3750	6.1250	30.0	HR			6.3-4-271-1	
2.3640-36 Involute Spline									
2.3640	3.0000	2.6880	5.4380	30.0	BP	6.3-4-1021X	231750	6.3-4-441	
2.3640	3.0000	2.6880	5.4380	30.0	BP	6.3-4-851X	231755	6.3-4-831	
2.3640	3.0000	2.6880	5.4380	30.0	HR	6.3-4-1541-1X	232200	6.3-4-1531-1	
2.3640	3.0000	2.6880	5.4380	30.0	HR	6.3-4-1561-1X	232199	6.3-4-1551-1	
2.3640	3.5000	2.4850	5.2300	30.0	HR	6.3-4-1611-1X	232201	6.3-4-1601-1 .306 depth counterbore at hub end.	
2.3740-46 Spline									
2.3740	3.2500	2.3280	5.0620	30.0	BP	6.3-4-1041X	231803	6.3-4-1031 .140 depth counterbore at hub end.	
2.3740	3.2500	2.3280	5.0620	30.0	HR	6.3-4-1041-1X	231803	6.3-4-1031-1 .140 depth counterbore at hub end.	
2.3740	3.2500	2.6250	5.4380	30.0	BP	6.3-4-211X	231179	6.3-4-101	
2.3740	3.2500	2.6250	5.4380	30.0	HR	6.3-4-211-1X	231179	6.3-4-101-1	
2.3740	3.2500	2.8750	5.6250	30.0	BP	6.3-4-301X	231179	6.3-4-291 .140 depth counterbore at hub end.	
2.3740	3.2500	2.8750	5.6250	30.0	BP	6.3-4-861X	231615	6.3-4-291 .140 depth counterbore at hub end.	
2.3740	3.2500	2.8750	5.6250	30.0	HR	6.3-4-861-1X	231615	6.3-4-291-1 .140 depth counterbore at hub end.	
2.3740	3.2500	2.8750	5.6250	30.0	HR	6.3-4-301-1X	231179	6.3-4-291-1 .140 depth counterbore at hub end.	
2.3740	3.5000	2.4060	5.3750	30.0	BP	6.3-4-1391X	232042-10	6.3-4-391	
2.3740	3.5000	2.4060	5.3750	30.0	HR	6.3-4-1391-1X	232042-10	6.3-4-391-1	
2.3740	3.7500	2.4220	5.4060	30.0	BP	6.3-4-1281X	231528	6.3-4-641 W/speedometer gear hub	
2.3740	3.7500	2.4220	5.4060	30.0	HR	6.3-4-1271-1X	231527	6.3-4-641-1 W/speedometer gear hub	
2.3740	3.7500	2.4220	5.4060	30.0	HR	6.3-4-1281-1X	231528	6.3-4-641-1 W/speedometer gear hub	





Major Diameter	R	Q	S	Joint Angle	Style	End Yoke Assy. (incl. slinger) Order When Listed	Slinter Part Number	Spicer Part Number
	Ground Hub Dia.	Length Thru Hole	Centerline to End					
1760 SERIES (Continued)			E-7.000 (7.094 FOR HR STYLE)			D-1.938		USE KIT 5-407X, 5-677X
FOR HR STYLE USE STRAP KIT 6.5-70-18X								
2.3900-46 Involute Spline								
2.3900	2.8750	2.7500	5.5000	30.0	HR		231013	6.3-4-821-1 Coupling shaft yoke
2.3900	3.3750	3.1880	6.0000	30.0	HR	6.3-4-1161-1X	231013	6.3-4-1151-1 .580 depth counterbore at hub end.
2.3900	3.3750	3.1880	6.0000	30.0	HR	6.3-4-1651-1X	232610	6.3-4-1151-1 .580 depth counterbore at hub end.
2.3900	3.3750	3.1880	6.2030	30.0	BP	6.3-4-1161X	231013	6.3-4-1151 .580 depth counterbore at hub end.
2.3900	3.5000	3.3750	6.0000	26.0	BP			6.3-4-381
2.3900	3.5000	3.3750	6.0000	26.0	HR			6.3-4-381-1
2.4220-18 Involute Spline								
2.4220	3.3750	3.0000	6.0000	30.0	BP	6.3-4-241X	231013	6.3-4-131 .380 depth counterbore at hub end.
2.4220	3.3750	3.0000	6.0000	30.0	HR	6.3-4-241-1X	231013	6.3-4-131-1 .380 depth counterbore at hub end.
2.5000-10 Spline								
2.5000	3.5000	2.4060	5.4060	30.0	BP		232042-11	6.3-4-151
2.5000	3.5000	2.4060	5.4060	30.0	HR	6.3-4-1401-1X	232042-11	6.3-4-151-1
2.5000	3.7500	3.0000	6.0000	32.0	BP	6.3-4-781X	231616	6.3-4-651 W/speedometer gear hub
2.5000	3.7500	3.0000	6.0310	30.0	HR	6.3-4-781-1X	231616	6.3-4-651-1 W/speedometer gear hub
2.5030-19 Involute Spline								
2.5030	3.3440	3.0000	5.9380	30.0	BP			6.3-4-521
2.5440-49 Involute Spline								
2.5440	3.1720	2.7500	5.5620	30.0	BP			6.3-4-1251 .180 depth counterbore at hub end.
2.5440	3.7500	3.0000	6.0310	28.0	HR	6.3-4-771-1X	231616	6.3-4-811-1 W/speedometer gear hub
2.5440	3.7500	3.0000	6.0310	30.0	BP	6.3-4-771X	231616	6.3-4-811 W/speedometer gear hub
2.5440	4.0000	2.7500	5.5620	30.0	HR			6.3-4-1251-1 W/speedometer gear hub
2.6350-20 Involute Spline								
2.6350	3.7500	2.7500	5.5620	30.0	HR	6.3-4-871-1X	231745	6.3-4-41-1 W/speedometer gear hub



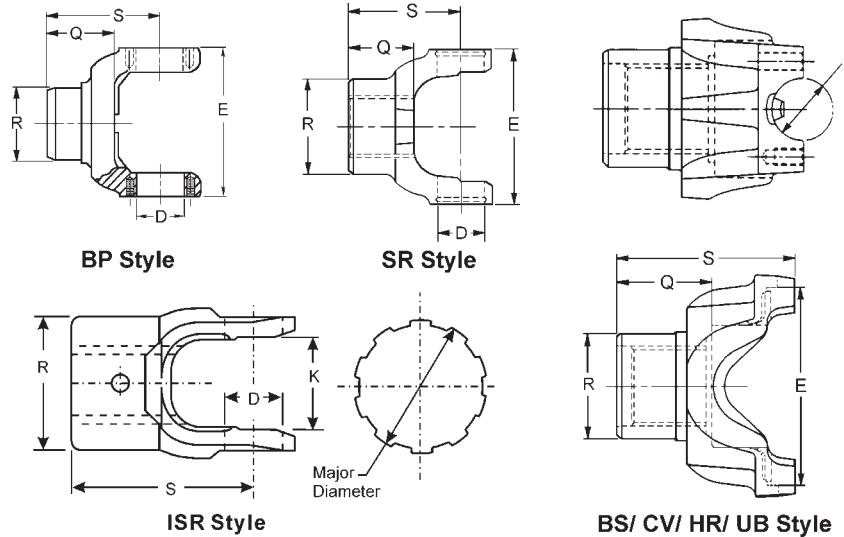
END YOKES with SPLINED HOLES



Major Diameter	R	Q	S	Joint Angle	Style	End Yoke Assy. (incl. slinger) Order When Listed	Slinger Part Number	Spicer Part Number
	Ground Hub Dia.	Length Thru Hole	Centerline to End					
1760 SERIES (Continued)			E-7.000 (7.094 FOR HR STYLE) D-1.938			USE KIT 5-407X, 5-677X		
FOR HR STYLE USE STRAP KIT 6.5-70-18X								
2.7500-10 Spline								
2.7500	—	3.0000	5.9690	30.0	HR			6.3-4-1201-1 <i>Hub diameter not ground.</i>
2.7500	3.7500	3.0000	5.9690	30.0	BP	6.3-4-721X	230902	6.3-4-661
2.7500	3.7500	3.0000	5.9690	30.0	BP	6.3-4-791X	231616	6.3-4-711
2.7500	3.7500	3.0000	5.9690	30.0	HR	6.3-4-791-1X	231616	6.3-4-711-1
2.7500	4.0000	2.9380	6.0000	30.0	BP			6.3-4-61 <i>W/speedometer gear hub</i>
2.7500	4.0000	2.9380	6.0000	30.0	HR			6.3-4-61-1 <i>W/speedometer gear hub</i>
2.7940-54 Involute Spline								
2.7940	3.5000	2.7500	5.6250	—	BP			6.3-4-1681 <i>Hub diameter not ground.</i>
2.7940	3.5000	2.7500	5.6250	—	HR			6.3-4-1681-1 <i>Hub diameter not ground.</i>
2.7950-55 Involute Spline								
2.7950	4.7190	2.0470	5.0000	28.5	HR			6.3-4-1581-1 <i>.150 depth counterbore at hub end.</i>
2.7980-21 Involute Spline								
2.7980	3.5310	2.0780	4.8440	30.0	HR			6.3-4-1191-1 <i>.080 depth counterbore at hub end.</i>
1800 SERIES			E-6.594 D-2.312		USE KIT 5-124X			
2.0000-10 Spline								
2.0000	2.5620	3.0000	5.1880	—	BP			6.5-4-1001
2.0020-15 Involute Spline								
2.0020	3.2500	2.7030	4.9380	22.0	BP			6.5-4-2961 <i>.6870 depth counterbore at hub end.</i>
2.5000-10 Spline								
2.5000	3.5000	2.4060	5.1560	23.0	BP			6.5-4-1781
1810 SERIES			E-7.547 (7.643 FOR HR STYLE) D-1.938			USE KIT 5-281X, 5-676X		
FOR HR STYLE USE STRAP KIT 6.5-70-18X								
1.9390-30 Involute Spline								
1.9390	3.0000	2.2500	5.3750	30.0	BP			6.5-4-2051
1.9600-10 Spline								
1.9600	2.7500	2.6250	5.5310	30.0	BP	6.5-4-3891X	231541	6.5-4-2251
1.9620-10 Spline								
1.9620	3.0000	2.2500	5.5000	30.0	BP			6.5-4-4751
1.9640-10 Spline								
1.9640	2.6250	2.2500	5.6250	30.0	BP	6.5-4-2351X	230998	6.5-4-2001 <i>.250 depth counterbore at hub end.</i>
2.0000-10 Spline								
2.0000	2.9380	2.5620	5.3750	30.0	BP	6.5-4-2341X	98-1361	6.5-4-1921
2.0050-15 Involute Spline								
2.0050	2.8750	2.5000	5.2500	30.0	BP			6.5-4-2911 <i>.250 depth counterbore at hub end.</i>
2.0050	3.2500	2.3750	5.2810	30.0	BP			6.5-4-2821
2.0240-39 Spline								
2.0240	2.7500	2.0000	5.1880	30.0	HR	6.5-4-4281-1X	232042-2	6.5-4-3261-1 <i>.125 depth counterbore at hub end.</i>
2.0240	2.7500	2.4380	5.5310	30.0	BP	6.5-4-3571X	231599	6.5-4-2781 <i>.090 depth counterbore at hub end.</i>
2.0240	2.7500	2.4380	5.6250	30.0	HR	6.5-4-3571-1X	231599	6.5-4-2781-1 <i>.090 depth counterbore at hub end.</i>
2.0240	3.0000	2.3120	5.1880	30.0	BP	6.5-4-3381X	231047	6.5-4-3371 <i>.120 depth counterbore at hub end.</i>
2.0240	3.0000	2.3120	5.1880	30.0	HR	6.5-4-3381-1X	231047	6.5-4-3371-1 <i>.120 depth counterbore at hub end.</i>



Important: See Safety Information in General Information Section (J300P-GI)



Major Diameter	R	Q	S	Joint Angle	Style	End Yoke Assy. (incl. slinger) Order When Listed	Slinter Part Number	Spicer Part Number
	Ground Hub Dia.	Length Thru Hole	Centerline to End					
1810 SERIES (Continued)			E-7.547 (7.643 FOR HR STYLE) D-1.938			USE KIT 5-281X, 5-676X		
FOR HR STYLE USE STRAP KIT 6.5-70-18X								
2.0240-39 Spline (Continued)								
2.0240	3.0000	2.3120	5.7500	30.0	HR	6.5-4-3881-1X	231047	6.5-4-3861-1 .120 depth counterbore at hub end.
2.0240	3.0000	2.3200	5.1880	30.0	HR	6.5-4-3851-1X	231047	6.5-4-3841-1 .120 depth counterbore at hub end.
2.0240	3.0000	2.4380	5.1880	30.0	BP	6.5-4-2491X	231047	6.5-4-2471 .120 depth counterbore at hub end.
2.0240-39 Involute Spline								
2.0240	3.0000	2.2500	5.0000	30.0	HR	6.5-4-4661-1X	232199	6.5-4-4651-1 .280 depth counterbore at hub end.
2.0310-10 Spline								
2.0310	2.7500	2.0000	5.2500	30.0	BP			6.5-4-2261 .125 depth counterbore at hub end.
2.1140-32 Involute Spline								
2.1140	3.0000	2.2500	5.0000	30.0	HR	6.5-4-4461-1X	232200	6.5-4-4451-1 .424 depth counterbore at hub end.
2.1430-41 Involute Spline								
2.1430	2.9380	2.5000	5.2500	29.5	BP	6.5-4-3691X	231028	6.5-4-3681
2.1430	2.9380	2.5000	5.2500	30.0	HR	6.5-4-4601-1X	232604	6.5-4-3681-1
2.1430	2.9380	2.5000	5.2500	30.0	HR	6.5-4-3691-1X	231028	6.5-4-3681-1
2.1430	2.9380	3.0000	5.8120	31.0	BP			6.5-4-3931 .380 depth counterbore at hub end.
2.1490-16 Spline								
2.1490	2.9380	2.5000	5.2190	30.0	BP	6.5-4-2451X	231022	6.5-4-2441
2.1490	2.9380	3.0000	5.8120	30.0	BP	6.5-4-2401X	231028	6.5-4-2291 .380 depth counterbore at hub end.
2.1490	2.9380	3.0000	5.8120	30.0	HR	6.5-4-2401-1X	231028	6.5-4-2291-1 .380 depth counterbore at hub end.
2.2250-6 Spline								
2.2250	3.0000	3.2500	6.0000	30.0	BP	6.5-4-2831X	330499	6.5-4-1971
2.2250	3.0000	3.2500	6.0000	30.0	BP	6.5-4-2271X	829-W	6.5-4-1971
2.2250	3.0000	3.2500	6.0000	30.0	HR			6.5-4-1971-1

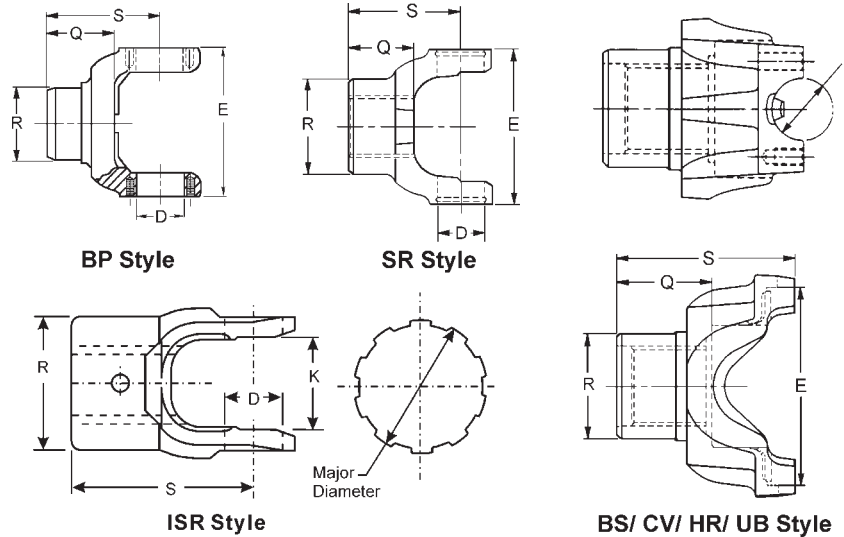


END YOKES with SPLINED HOLES



Major Diameter	R	Q	S	Joint Angle	Style	End Yoke Assy. (incl. slinger) Order When Listed	Slinger Part Number	Spicer Part Number
	Ground Hub Dia.	Length Thru Hole	Centerline to End					
1810 SERIES (Continued)			E-7.547 (7.643 FOR HR STYLE) D-1.938			USE KIT 5-281X, 5-676X		
FOR HR STYLE USE STRAP KIT 6.5-70-18X								
2.2500-10 Spline								
2.2500	2.8750	3.0000	5.8750	30.0	BP			6.5-4-2131 .312 depth counterbore at hub end.
2.2500	2.8750	3.0000	5.8750	30.0	HR			6.5-4-2131-1 .312 depth counterbore at hub end.
2.2500	3.0000	3.0000	5.8440	30.0	BP	6.5-4-2551X	230921	6.5-4-1911 .250 depth counterbore at hub end.
2.2500	3.1250	2.2500	5.3750	30.0	HR	6.5-4-4221-1X	232042-3	6.5-4-2141-1
2.2500	3.3120	2.2500	5.3750	30.0	HR	6.5-4-4241-1X	232042-6	6.5-4-4231-1
2.2500	3.5000	3.0000	5.8440	30.0	BP		231616	6.5-4-2021
2.2500	3.7500	3.0000	5.8440	30.0	HR	6.5-4-3751-1X	231616	6.5-4-3741-1
2.2740-44 Involute Spline								
2.2740	2.9380	2.3440	5.0940	30.0	HR	6.5-4-4091-1X	231022	6.5-4-4081-1
2.2740	2.9380	2.5000	5.2500	30.0	BP	6.5-4-4351X	232168	6.5-4-4321
2.2740	2.9380	2.5000	5.2500	30.0	BP	6.5-4-3281X	231022	6.5-4-4321
2.2740	2.9380	2.5000	5.2500	30.0	HR	6.5-4-4351-1X	232168	6.5-4-4321-1
2.2740	2.9380	2.5000	5.2500	30.0	HR	6.5-4-3281-1X	231022	6.5-4-4321-1
2.2740	3.0000	2.5000	5.2500	30.0	BP	6.5-4-4571X	232511	6.5-4-4311 .236 depth counterbore at hub end.
2.2740	3.0000	2.5000	5.2500	30.0	HR	6.5-4-4571-1X	232511	6.5-4-4311-1 .236 depth counterbore at hub end.
2.3500-16 Spline								
2.3500	2.8750	2.7500	5.5000	30.0	HR		230746	6.5-4-1891-1 Coupling shaft yoke
2.3510-16 Spline								
2.3510	2.8750	2.7500	5.5000	30.0	BP	6.5-4-2531X	230746	6.5-4-1891 Coupling shaft yoke
2.3510	2.8750	2.7500	5.5000	30.0	HR			6.5-4-1891-1 Coupling shaft yoke
2.3510	3.7500	2.7500	5.5620	30.0	BP			6.5-4-3011 W/speedometer gear hub
2.3640-18 Involute Spline								
2.3640	3.5000	3.3750	6.1250	30.0	BP			6.5-4-2581
2.3640	3.5000	3.3750	6.1250	30.0	HR			6.5-4-2581-1
2.3640	3.7500	2.3440	5.6250	30.0	HR			6.5-4-4211-1 W/speedometer gear hub
2.3640-36 Involute Spline								
2.3640	3.0000	2.6880	5.4380	30.0	BP	6.5-4-3641X	231755	6.5-4-3631
2.3640	3.0000	2.6880	5.4380	30.0	BP	6.5-4-3651X	231750	6.5-4-3161
2.3640	3.0000	2.6880	5.4380	30.0	HR	6.5-4-4441-1X	232199	6.5-4-4431-1
2.3640	3.0000	2.6880	5.4380	30.0	HR	6.5-4-4421-1X	232200	6.5-4-4411-1
2.3740-46 Spline								
2.3740	3.2500	2.3120	5.1560	30.0	BP	6.5-4-3731X	231803	6.5-4-3721 .140 depth counterbore at hub end.
2.3740	3.2500	2.3120	5.1560	30.0	HR	6.5-4-4721-1X	232747	6.5-4-3721-1 .140 depth counterbore at hub end.
2.3740	3.2500	2.3120	5.1560	30.0	HR	6.5-4-3731-1X	231803	6.5-4-3721-1 .140 depth counterbore at hub end.
2.3740	3.2500	2.6250	5.4380	30.0	BP	6.5-4-2711X	231179	6.5-4-2701
2.3740	3.2500	2.6250	5.4380	30.0	HR	6.5-4-2711-1X	231179	6.5-4-2701-1
2.3740	3.2500	2.8750	5.6880	30.0	BP	6.5-4-3221X	231179	6.5-4-3201
2.3740	3.2500	2.8750	5.6880	30.0	BP	6.5-4-3581X	231615	6.5-4-3201 .140 depth counterbore at hub end.
2.3740	3.2500	2.8750	5.6880	30.0	HR	6.5-4-3221-1X	231179	6.5-4-3201-1 .140 depth counterbore at hub end.
2.3740	3.2500	2.8750	5.6880	30.0	HR	6.5-4-3581-1X	231615	6.5-4-3201-1 .140 depth counterbore at hub end.
2.3740	3.5000	2.4060	5.4060	30.0	BP	6.5-4-4271X	232042-10	6.5-4-3251
2.3740	3.5000	2.4060	5.4060	30.0	HR	6.5-4-4271-1X	232042-10	6.5-4-3251-1
2.3740	3.7500	2.4060	5.2190	30.0	BP	6.5-4-4011X	231528	6.5-4-3441 W/speedometer gear hub





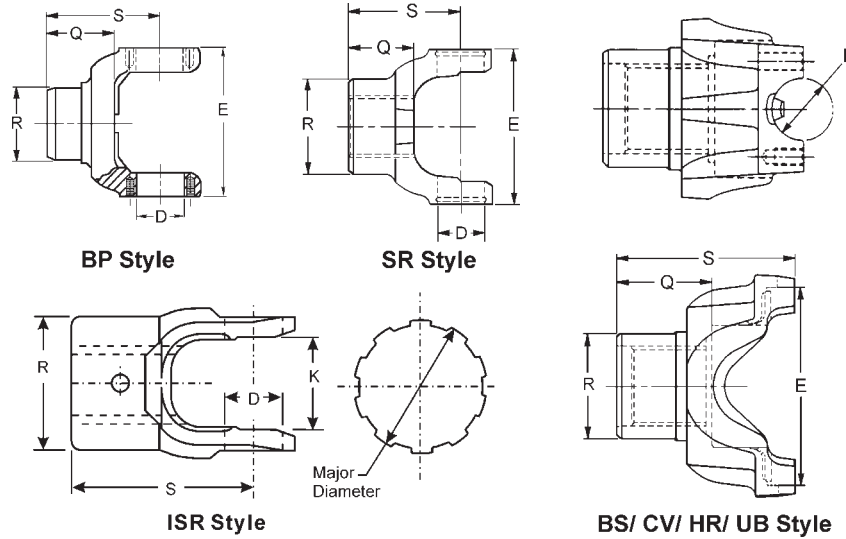
Major Diameter	R	Q	S	Joint Angle	Style	End Yoke Assy. (incl. slinger) Order When Listed	Slinter Part Number	Spicer Part Number
	Ground Hub Dia.	Length Thru Hole	Centerline to End					
1810 SERIES (Continued)			E-7.547 (7.643 FOR HR STYLE) D-1.938			USE KIT 5-281X, 5-676X		
FOR HR STYLE USE STRAP KIT 6.5-70-18X								
2.3740-46 Spline (Continued)								
2.3740	3.7500	2.4060	5.2190	30.0	BP	6.5-4-4001X	231527	6.5-4-3441 <i>W/speedometer gear hub</i>
2.3740	3.7500	2.4060	5.2190	30.0	HR	6.5-4-4161-1X	232008	6.5-4-3441-1 <i>W/speedometer gear hub</i>
2.3740	3.7500	2.4060	5.2190	30.0	HR	6.5-4-4001-1X	231527	6.5-4-3441-1 <i>W/speedometer gear hub</i>
2.3740	3.7500	2.4060	5.2190	30.0	HR	6.5-4-4011-1X	231528	6.5-4-3441-1 <i>W/speedometer gear hub</i>
2.3900-46 Involute Spline								
2.3900	2.8750	2.7500	5.5000	30.0	HR			6.5-4-3591-1 <i>Coupling shaft yoke</i>
2.3900	3.3750	3.1880	6.0000	30.0	BP	6.5-4-3921X	231013	6.5-4-3911 <i>.580 depth counterbore at hub end.</i>
2.3900	3.3750	3.1880	6.0000	30.0	BP	6.5-4-4611X	232610	6.5-4-3911 <i>.580 depth counterbore at hub end.</i>
2.3900	3.3750	3.1880	6.0000	30.0	HR	6.5-4-4611-1X	232610	6.5-4-3911-1 <i>.580 depth counterbore at hub end.</i>
2.3900	3.3750	3.1880	6.0000	30.0	HR	6.5-4-3921-1X	231013	6.5-4-3911-1 <i>.580 depth counterbore at hub end.</i>
2.3900	3.5000	3.3750	6.1560	23.0	BP			6.5-4-2541
2.3900	3.5000	3.3750	6.1560	30.0	HR			6.5-4-2541-1
2.4220-18 Involute Spline								
2.4220	3.3750	3.0000	5.8120	30.0	BP	6.5-4-2361X	231013	6.5-4-1991 <i>.380 depth counterbore at hub end.</i>
2.4220	3.3750	3.0000	5.8120	30.0	HR	6.5-4-2361-1X	231013	6.5-4-1991-1 <i>.380 depth counterbore at hub end.</i>
2.4500-47 Involute Spline								
2.4500	3.6250	2.5000	5.3120	30.0	BP			6.5-4-2921 <i>.750 depth counterbore at hub end.</i>
2.5000-10 Spline								
2.5000	3.2500	3.0000	5.7810	30.0	BP	6.5-4-3711X	231179	6.5-4-2561
2.5000	3.2500	3.0000	5.7810	30.0	HR	6.5-4-3711-1X	231179	6.5-4-2561-1
2.5000	3.5000	2.4060	5.4060	25.0	HR	6.5-4-4261-1X	232042-10	6.5-4-2101-1
2.5000	3.5000	2.4060	5.4060	30.0	BP	6.5-4-4291X	232042-11	6.5-4-2101
2.5000	3.5000	2.4060	5.4060	30.0	BP	6.5-4-4291-1X	232042-10	6.5-4-2101-1
2.5000	3.5000	3.0000	5.7810	30.0	BP			6.5-4-2151
2.5000	3.7500	3.0000	5.8750	30.0	BP	6.5-4-3551X	231616	6.5-4-3451 <i>W/speedometer gear hub</i>
2.5000	3.7500	3.0000	5.8750	30.0	HR	6.5-4-3551-1X	231616	6.5-4-3451-1 <i>W/speedometer gear hub</i>



END YOKES with SPLINED HOLES

Major Diameter	R	Q	S	Joint Angle	Style	End Yoke Assy. (incl. slinger) Order When Listed	Slinger Part Number	Spicer Part Number
	Ground Hub Dia.	Length Thru Hole	Centerline to End					
1810 SERIES (Continued)			E-7.547 (7.643 FOR HR STYLE) D-1.938			USE KIT 5-281X, 5-676X		
FOR HR STYLE USE STRAP KIT 6.5-70-18X								
2.5440-49 Involute Spline								
2.5440	3.1720	2.7500	5.5620	30.0	HR			6.5-4-3821-1 .180 depth counterbore at hub end.
2.5440	3.7500	3.0000	5.8750	28.5	HR	6.5-4-3621-1X	231616	6.5-4-3611-1 W/speedometer gear hub
2.5440	3.7500	3.0000	5.8750	30.0	BP	6.5-4-3621X	231616	6.5-4-3611 W/speedometer gear hub
2.5600-20 Involute Spline								
2.5600	3.5000	3.3440	6.1250	28.5	BP			6.5-4-3361
2.5600	3.5000	3.3440	6.1250	28.5	HR			6.5-4-3361-1
2.6310-25 Involute Spline								
2.6310	3.6250	3.0000	5.7810	30.0	BP			6.5-4-2181
2.6350-20 Involute Spline								
2.6350	3.7500	2.7500	5.5620	30.0	BP			6.5-4-2011 W/speedometer gear hub
2.6350	3.7500	2.7500	5.5620	30.0	BP	6.5-4-3541X	231745	6.5-4-3021 W/speedometer gear hub
2.6350	3.7500	2.7500	5.5620	30.0	HR	6.5-4-3541-1X	231745	6.5-4-3021-1 W/speedometer gear hub
2.6350	3.7500	3.3120	6.0620	30.0	BP	6.5-4-2601X	230888	6.5-4-1941
2.6350	4.0000	3.2810	6.0620	26.0	BP	6.5-4-4551X	230888	.560 depth counterbore at hub end. 6.5-4-4541 .560 depth counterbore at hub end.
2.7500-10 Spline								
2.7500	3.5000	3.0000	6.0620	30.0	BP	6.5-4-2931X	230674	6.5-4-1901
2.7500	3.5000	3.0000	6.0620	30.0	HR		230674	6.5-4-1901-1
2.7500	3.7500	3.0000	6.0620	30.0	BP	6.5-4-3561X	231616	6.5-4-3491
2.7500	3.7500	3.0000	6.0620	30.0	BP	6.5-4-3501X	230902	6.5-4-3461
2.7500	3.7500	3.0000	6.0620	30.0	HR	6.5-4-3501-1X	230902	6.5-4-3461-1
2.7500	3.7500	3.0000	6.0620	30.0	HR	6.5-4-3561-1X	231616	6.5-4-3491-1
2.7500	3.8750	3.0000	6.0620	30.0	HR			6.5-4-3801-1 Hub diameter not ground.
2.7500	4.0000	2.9380	6.0000	30.0	BP			6.5-4-2171 W/speedometer gear hub
2.7500	4.0000	2.9380	6.0000	30.0	HR			6.5-4-2171-1 W/speedometer gear hub
2.7940-54 Involute Spline								
2.7940	—	2.7500	5.6250	—	BP			6.5-4-4631 Hub diameter not ground.
2.7940	—	2.7500	5.6250	—	HR			6.5-4-4631-1 Hub diameter not ground.
2.7950-55 Involute Spline								
2.7950	4.7190	2.0470	5.0000	29.0	HR			6.5-4-4521-1
2.7950	4.7190	2.0470	5.0000	30.0	BP			.150 depth counterbore at hub end. 6.5-4-4521 .150 depth counterbore at hub end.
2.7980-21 Involute Spline								
2.7980	3.5310	2.0940	4.8440	30.0	HR			6.5-4-3941-1 .080 depth counterbore at hub end.
2.9220-22 Involute Spline								
2.9220	3.8750	2.6250	5.3750	30.0	BP			6.5-4-3081
3.0030-23 Involute Spline								
3.0030	4.0000	3.0000	5.7500	30.0	BP	6.5-4-4401X	232193	6.5-4-2621 .310 depth counterbore at hub end.
3.0030	4.0000	3.0000	5.7500	30.0	HR	6.5-4-4401-1X	232193	6.5-4-2621-1 .310 depth counterbore at hub end.
3.1000-60 Involute Spline								
3.1000	3.9000	2.5000	5.3100	30.0	BP			6.5-4-4341
3.1000	4.0000	2.5000	5.3120	30.0	BP			6.5-4-2681





Major Diameter	R	Q	S	Joint Angle	Style	End Yoke Assy. (incl. slinger) Order When Listed	Slinter Part Number	Spicer Part Number
	Ground Hub Dia.	Length Thru Hole	Centerline to End					
1810 SERIES (Continued)			E-7.547 (7.643 FOR HR STYLE) D-1.938			USE KIT 5-281X, 5-676X		
FOR HR STYLE USE STRAP KIT 6.5-70-18X								
3.5820-59 Involute Spline								
3.5820	4.7250	4.4095	7.4800	30.0	HR	6.5-4-4921-1X	232968	6.5-4-4801-1
1820 SERIES			PILOT DIA - 8.250 KEY SIZE - .625		USE KIT NO. 5-9001X			
2.3440-16 Spline								
2.3440	2.8750	2.7500	4.1250	25.0	WB			8-4-851
2.3750-46 Involute Spline								
2.3750	2.9530	2.3750	3.9380	—	WB	8-4-1151X	231527	8-4-1141
2.3750	2.9530	2.3750	3.9380	—	WB	8-4-1161X	231528	8-4-1141
2.5000-10 Spline								
2.5000	3.5000	3.2340	4.3750	—	WB			8-4-1061
1880 SERIES			E-8.094 D-2.188		USE KIT 5-308X			
3.5030-27 Involute Spline								
3.5030	4.5000	4.7810	8.0160	27.5	BP			8-4-421
1950 SERIES			E-10.047 D-3.062		USE KIT 5-192X			
USES CAP & BOLT ASSY. 9-70-18X								
3.2350-25 Involute Spline								
3.2350	5.6250	4.3120	8.1350	—	CB	9-4-271X	231377	9-4-261
3.2500-25 Involute Spline								
3.2500	5.5000	4.3280	8.1560	20.0	CB			9-4-51
3.2530-25 Involute Spline								
3.2530	5.5000	4.2500	8.9690	20.0	CB			9-4-131 <i>Flanged end yoke.</i>
3.5000-27 Involute Spline								
3.5000	5.0000	4.2190	7.8440	20.0	CB	9-4-311X	230922	9-4-301



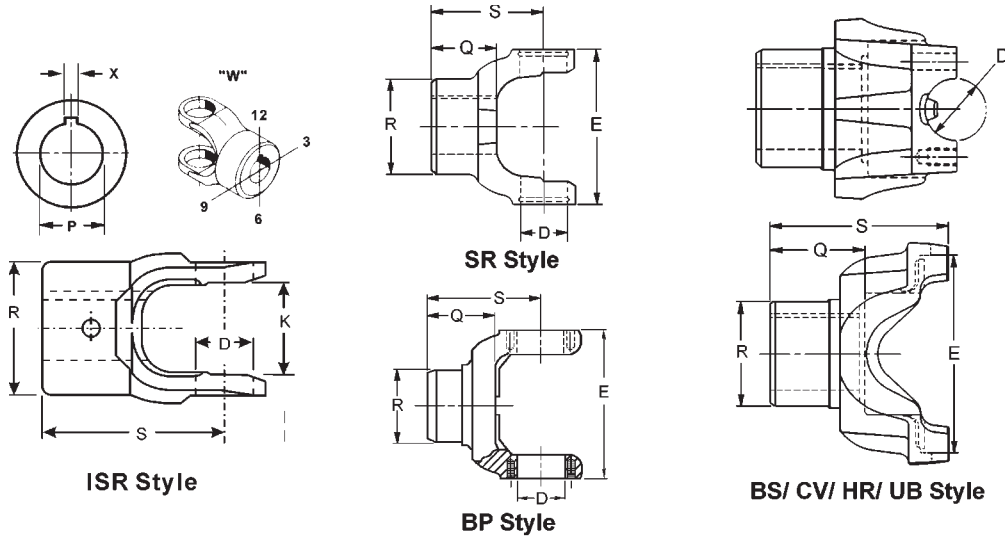
END YOKES with SPLINED HOLES



Major Diameter	R	Q	S	Joint Angle	Style	End Yoke Assy. (incl. slinger) Order When Listed	Slinger Part Number	Spicer Part Number
	Ground Hub Dia.	Length Thru Hole	Centerline to End					
6C SERIES			WB STYLE P-5.530 S-1.688 KEYWAY .561			USE KIT 5-6109X		
1.7900-34 Involute Spline								
1.7900	2.5620	2.7810	3.7190	20.0	WB	4-4-7541X	231059(PLUG)	4-4-7531 6C WB type
7C SERIES			WB STYLE P-5.840 S-1.940 KEYWAY: 0.624			USE KIT 5-7105X		
1.9220-14 Involute Spline								
1.9220	2.0000	2.1830	4.0300	—	WB			7C-4-241 Flanged end yoke
7290 SERIES			K-2.625 D-1.125			USE KIT NO. 5-1309X & 5-354X		
1.1460-26 Involute Spline								
1.1460	1.5520	1.5000	3.3500	30.0	BS	2-4-7651-1X	232549	2-4-7641-1
1.1460	1.8440	1.3750	3.2190	30.0	BS			2-4-7661-1
<i>.120 depth counterbore at hub end.</i>								
1.1720-27 Involute Spline								
1.1720	1.6880	1.0620	2.7500	—	BS			2-4-7891-1
1.2630-29 Involute Spline								
1.2630	1.8750	1.5000	3.1880	—	BS			2-4-7901-1
1.2760-29 Involute Spline								
1.2760	1.8750	1.5000	3.3590	30.0	BS	2-4-7681-1X	34592	2-4-7671-1



STRAIGHT ROUND HOLE



P Round Hole Diameter	X SAE Keyway Width	W Set Screw Location in Relation to Keyway			R Hub Diameter	Q Length Thru Hole	S C/L to End of Hub	Joint Angle	S T Y L E	End Yoke Part Number
		Hole Diameter	Location							
			Keyway	Set Screw						
1000 SERIES										
			K-1.500	D-.938						USE KIT 5-170X
.6250	-	-			1.6250	-	2.5000	60	ISR	10-4-333
.6250	.1880	.3750	12	6	1.6250	-	2.5000	60	ISR	10-4-373
.6250	.3750	-	12	12 & 9	2.0000	-	2.5000	60	ISR	10-4-1813
.7500	-	-			1.6240	-	2.5000	60	ISR	10-4-303
.7500	.1880	.3750	12	9	1.6250	-	1.8120	15	ISR	10-4-693
.7500	.1880	.3750	3	6	1.6250	-	2.5000	60	ISR	10-4-13
.7500	.1880	.3750	3	6 & 12	1.6250	-	2.5000	60	ISR	10-4-133
.7500	.2500	.3750	3	9	1.6250	-	2.5000	60	ISR	10-4-23
.8120	.1880	.3750	3	9	1.6250	-	2.5000	60	ISR	10-4-33
.8120	.2500	.3750	12	9	1.6250	-	1.8120	15	ISR	10-4-713
.8120	.2500	.3750	3	6	1.6250	-	2.5000	60	ISR	10-4-43
.8750	-	.3750		3	1.6250	-	2.5000	60	ISR	10-4-203
.8750	.1880	.3750	3	9	1.6250	-	2.5000	60	ISR	10-4-53
.8750	.2500	.3750	3	6 & 12	.6250	-	2.5000	60	ISR	10-4-253
.8750	.2500	.3750	3	9	1.6250	-	2.5000	60	ISR	10-4-453
.8750	.2500	.3750	3	9	1.6250	-	2.5000	60	ISR	10-4-63
.9380	.2500	.3750	3	9	1.6250	-	2.5000	60	ISR	10-4-73
1.0000	-	-			1.6250	-	2.5000	60	ISR	10-4-443
1.0000	.1880	.3750	3	9	1.6250	-	2.5000	60	ISR	10-4-83
1.0000	.2500	.3750	12	9	1.6250	-	1.8120	15	ISR	10-4-723
1.0000	.2500	.3750	3	12	1.6250	-	2.5000	60	ISR	10-4-573
1.0000	.2500	.3750	3	9	2.0000	-	2.5000	60	ISR	10-4-93
1.0620	.2500	.3750	9	6	2.0000	-	2.5000	60	ISR	10-4-163
1.1250	.2500	.3750	3	12	2.0000	-	2.5000	60	ISR	10-4-143
1.1250	.2500	.3750	3	6	2.0000	-	2.5000	60	ISR	10-4-103
1.1250	.3120	.3750	3	6	2.0000	-	2.5000	60	ISR	10-4-1473
1.1250	.3120	.3750	3	9	2.0000	-	2.5000	60	ISR	10-4-113
1.1250	.3120	.3750	3	9	2.0000	-	2.5000	60	ISR	10-4-233
1.1880	.3120	.3750	3	9	2.0000	-	2.5000	60	ISR	10-4-153
1.2500	.2500	.3750	9	12	2.0000	-	2.5000	60	ISR	10-4-183
1.2500	.3120	.3750	3	9	2.0000	-	2.5000	60	ISR	10-4-123
1.2500	.3120	.3750	9	12	2.0000	-	2.5000	60	ISR	10-4-193
1.3750	.3120	.3750	3	9	2.2500	-	2.5000	60	ISR	10-4-293

.375 Dia. drilled hole thru hub



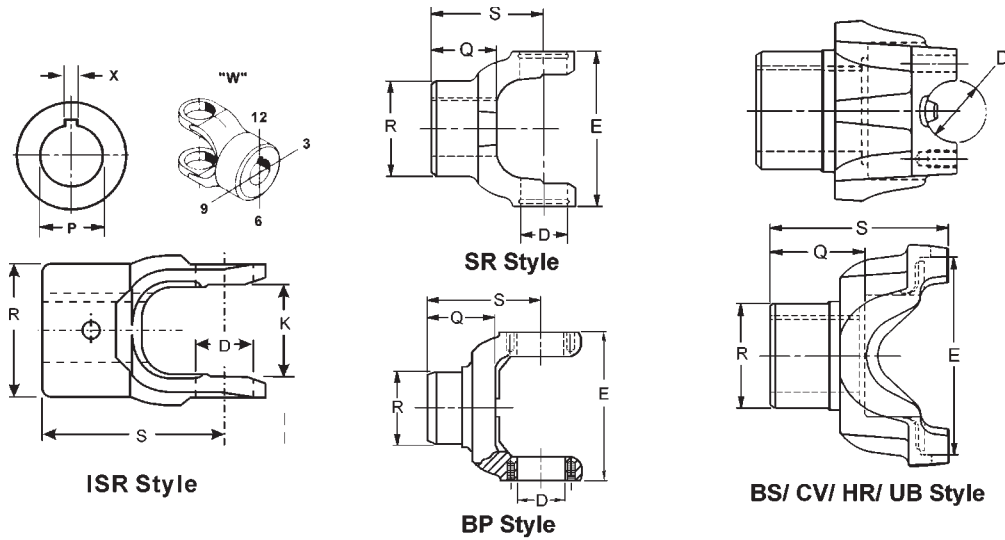
P Round Hole Diameter	X SAE Keyway Width	W Set Screw Location in Relation to Keyway			R Hub Diameter	Q Length Thru Hole	S C/L to End of Hub	Joint Angle	S T Y L E	End Yoke Part Number
		Hole Diameter	Location							
			Keyway	Set Screw						
1000 SERIES (Continued) K-1.500 D-.938 USE KIT 5-170X										
1.3750	.3750	.3750	3	6	2.2500	-	2.5000	60	ISR	10-4-213
1.4380	.3750	.3750	3	9	2.2500	-	2.5000	60	ISR	10-4-383
1.5000	.3750	.3750	3	6	2.2500	-	2.5000	60	ISR	10-4-223
1110 SERIES K-2.656 D-.938 USE KIT NO. 5-101X										
.7500	.1880	.3750	12	3	1.6880	-	2.2500	-	SR	1-4-783
.7500	.1880	.3750	12	6	1.6880	-	2.2500	-	SR	1-4-1383
.8750	.1880	.3750	9	3	2.0000	-	2.2500	-	SR	1-4-803
.8750	.2500	.3750	9	3	2.0000	-	2.2500	-	SR	1-4-1293
1.0000	.2500	.3750	9	3	2.0000	-	2.2500	30	SR	1-4-823
1.1250	.3120	.3750	3	9	2.0000	-	2.2500	30	SR	1-4-943
1.2500	.2500	.3750	3	6	2.0000	-	2.2500	-	SR	1-4-1133
1.2500	.3120	.3750	3	9	2.0000	-	2.2500	-	SR	1-4-933
1140 SERIES K-1.812 D-1.062 USE KIT NO. 5-242X										
1.0000	.2500	.3750	12	-	-	-	-	-	SR	1-4-3003
1.1250	.2500	.3750	12	-	-	-	-	-	SR	1-4-3043
1.2500	.2500	.3750	12	-	-	-	-	-	SR	1-4-3093
1.2500	.3120	.3750	12	-	-	-	-	-	SR	1-4-3113
1.3750	.3120	.3750	9	-	-	-	-	-	SR	1-4-3133
1.5000	.3750	.3750	9	-	-	-	-	-	SR	1-4-3153
1240 SERIES E-2.875 D-1.125 USE KIT NO 5-129X										
1.0000	.2500	.3750	12	-	-	-	-	-	SR	2-4-1343
1.1250	.2500	.3750	12	-	-	-	-	-	SR	2-4-1363
1.1870	.3120	.3750	12	-	-	-	-	-	SR	2-4-1943
1.2500	.2500	.3750	12	-	-	-	-	-	SR	2-4-1413
1.2500	.3120	.3750	12	-	-	-	-	-	SR	2-4-1423
1.3750	-	-	-	-	-	-	-	-	SR	2-4-2663
1.3750	.3120	.3750	12	-	-	-	-	-	SR	2-4-1873
1.5000	.3750	.3750	9	-	-	-	-	-	SR	2-4-1463
1310 SERIES SR STYLE E-3.469 ALL OTHERS E-3.219, D-1.062 USE KIT 5-153X										
.7500	-	-	-	-	2.1250	-	2.5620	17	SR	2-4-177
.7500	.1880	.3750	12	6	2.1250	-	2.5620	17	SR	2-4-433
.8120	.2500	.3750	12	6	2.1250	-	2.5620	17	SR	2-4-443
.8750	.1880	.3750	12	6	2.1250	-	2.5620	17	SR	2-4-453
.8750	.2500	.3750	12	6	2.1250	-	2.5620	17	SR	2-4-583
.9380	.2500	.3750	12	6	2.0000	-	2.5620	-	SR	2-4-463
1.0000	.2500	.3750	12	6 & 12	2.1250	-	2.5620	17	SR	2-4-473
1.1250	.2500	.3750	12	6	2.1250	-	2.5620	17	SR	2-4-503
1.1250	.3120	.3750	12	6	2.1250	-	2.5620	17	SR	2-4-523
1.1880	.3120	.3750	12	6	2.1250	-	2.5620	17	SR	2-4-553
1.2500	-	-	-	-	2.1250	-	2.5620	17	SR	2-4-853
1.2500	.2500	.3750	12	6	2.1250	-	2.5620	17	SR	2-4-573
1.2500	.3120	.3750	12		2.1250	-	2.5610	17	SR	2-4-613
1.2500	.3120	.3750	12	12	2.1250	-	2.5620	-	SR	2-4-2613
1.2500	.3120	.3750	12	6	2.1250	-	2.5620	17	SR	2-4-533
1.2500	.3120	.5000	12	6	2.1250	-	2.5620	17	SR	2-4-663
1.3750	.3120	.3750	12	3	2.0000	-	2.5620	17	SR	2-4-1103
1.3750	.3750	.3750	12	6	2.5000	1.5000	1.5940	-	SR	2-4-1053
1.3750	.3750	.3750	12	6	2.0000	-	2.5620	17	SR	2-4-803
1.3880	.3130	.3750	12	6	2.1200	-	2.9400	-	UB	2-4-783
1.5000	.3750	.3750	12	6	2.1250	-	2.5620	17	SR	2-4-1233
1.5030	-	-	-	-	2.0000	1.6250	2.5620	-	SR	2-4-353
1.6880	.3750	.3750	12	12	2.5000	-	2.5620	17	SR	2-4-2013

.312 diameter drilled hole thru hub.



Important: See Safety Information in General Information Section (J300P-GI)

STRAIGHT ROUND HOLE



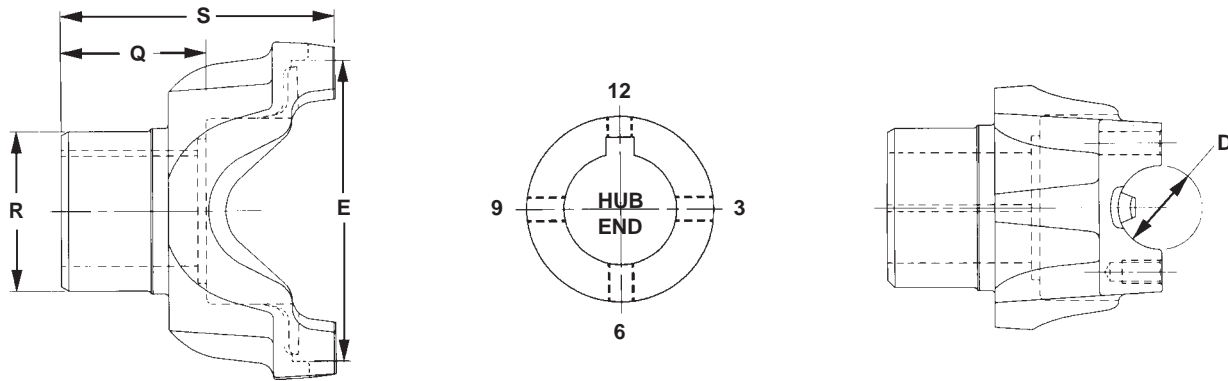
P	X	W			R	Q	S	Joint Angle	STYLE	End Yoke Part Number	
		Set Screw Location in Relation to Keyway									
		Hole Diameter	Location								
	Keyway	Set Screw	Hub Diameter	Length Thru Hole	C/L to End of Hub						
1340 SERIES											
		E-3.953 D-1.250			USE KIT NO. 5-243X						
1.2500	.3120	.3750	12	-	-	-	-	-	SR	3-4-793	
1.3750	.3120	.3750	12	-	-	-	-	-	SR	3-4-813	
1.3750	.3750	.3750	12	-	-	-	-	-	SR	3-4-1353	
1.4370	.3750	.3750	12	-	-	-	-	-	SR	3-4-1003	
1.5000	.3750	.3750	12	-	-	-	-	-	SR	3-4-833	
1.6250	.3750	-	12	-	-	-	-	-	SR	3-4-993	
1.7500	.3750	-	9	-	-	-	-	-	SR	3-4-1543	
1350 SERIES											
		SR STYLE E-3.875			ALL OTHERS E-3.625, D-1.188			USE KIT 5-178X			
.7500	-	-	-	-	2.0000	-	4.0900	23	UB	3-4-543	
1.1250	.2500	-	12	-	2.0000	-	2.6880	-	SR	3-4-43	
1.2500	.3120	-	12	-	2.0000	-	2.7500	-	SR	3-4-53	
1.2500	.3120	-	12	-	2.0000	-	1.8120	-	SR	3-4-93	
1.2500	.3120	.3750	12	-	2.0000	-	2.7500	-	SR	3-4-13	
1.2500	.3120	.3750	12	6	2.0620	-	3.0000	-	SR	3-4-103	
1.2500	.3145	.3750	12	6	2.2500	1.5000	3.0000	22	BS	3-4-283-1	
1.3750	.3120	.3750	12	6	2.2500	-	3.0310	22	UB	3-4-613	
1.3750	.3120	.3750	12	6	2.2500	-	3.0310	22	BS	3-4-613-1	
1.5000	.3750	.3750	12	6	2.2500	-	3.4690	22	UB	3-4-333	
1410 SERIES											
		SR STYLE E-4.438			ALL OTHERS E-4.188, D-1.188			USE KIT 5-160X			
1.1885	.3130	.3750	12	-	2.2550	-	1.5000	-	UB	3-4-1763	
1.2500	.2500	.3750	12	-	2.2500	-	2.0150	-	UB	3-4-163	
1.2500	.2500	.3750	12	-	2.2500	-	2.0150	-	BS	3-4-163-1	
1.5000	-	-	-	-	2.6900	-	4.0000	-	UB	3-4-223	
1.5000	.3770	.3750	12	135	2.6900	-	4.0000	-	BS	3-4-263-1	
1.7500	-	-	-	-	2.7500	-	4.2500	30	UB	3-4-2703	
1.7500	.4390	.5000	12	-	2.7500	-	4.2500	30	UB	3-4-273	
1.7500	.4390	.5000	12	-	2.7500	-	4.2500	30	UB	3-4-273-1	
<i>No keyway</i>											
<i>Two set screw holes, 135 degrees right and left of center.</i>											
1440 SERIES											
		K-2.828 D-1.312			USE KIT NO. 5-431X						
1.2500	.3120	.3750	12	-	-	-	-	-	SR	3-4-4-163	
1.3750	.3120	.3750	12	-	-	-	-	-	SR	3-4-4-173	
1.4370	.3750	.3750	12	-	-	-	-	-	SR	3-4-4-83	
1.7500	.3750	-	12	-	-	-	-	-	SR	3-4-4-193	



P	X	W			R	Q	S	Joint Angle	S T Y L E	End Yoke Part Number
Round Hole Diameter	SAE Keyway Width	Set Screw Location in Relation to Keyway			Hub Diameter	Length Thru Hole	C/L to End of Hub			
		Hole Diameter	Location							
			Keyway	Set Screw						
1480 SERIES		SR STYLE E-4.438 ALL OTHERS E-4.188, D-1.375				USE KIT 5-188X				
1.5000	.3750	.3750	12	-	-	-	-	-	SR	3-4-1173
1.7500	.3750	-	12	-	-	-	-	-	SR	3-4-1213
2.0000	.5000	.3750	9	-	-	-	-	-	SR	3-4-1753
1550 SERIES		E-5.250 D-1.375		USE KIT 5-155X						
1.8620	-	-	-	-	3.0700	-	4.6850	26	UB	4-4-843
1610 SERIES		E-5.312 D-1.875		USE KIT 5-279X, 5-674X						
1.7500	-	-	-	-	2.7500	-	5.6200	35	BP	5-4-413
2.2500	-	-	-	-	3.3440	-	5.6200	34	BP	5-4-453



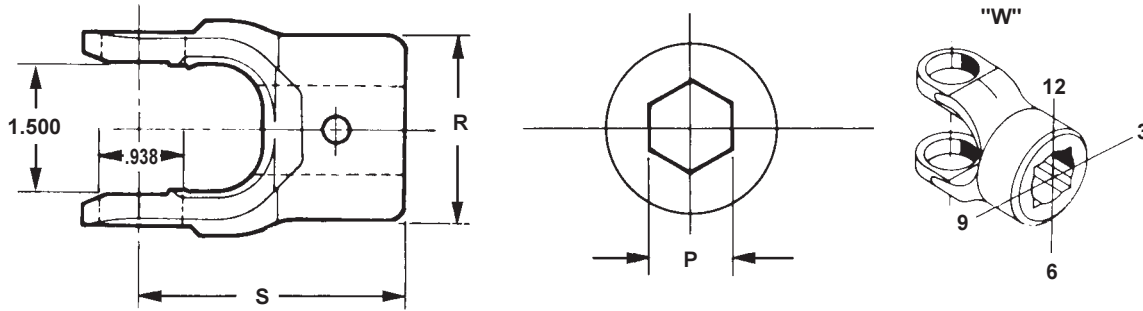
TAPERED HOLE With U-Bolt and Cap & Bolt Design



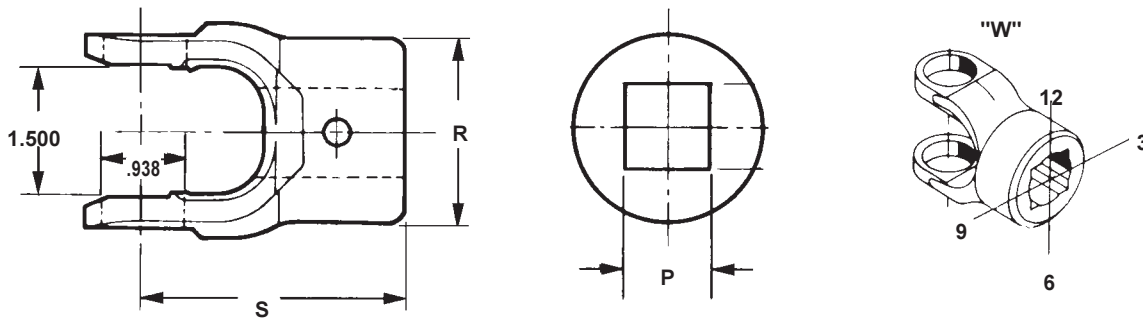
P	X	R	Q	S	Joint Angle	End Yoke Part Number
Tapered Hole Diameter	SAE Keyway Width	Ground Hub Diameter	Length Thru Hole	Centerline to End of Spline		
1280/1310 SERIES		SR STYLE	E-3.469 ALL OTHERS E-3.219, D-1.062			USE KIT 5-153X
USES U-BOLT ASSY. 2-94-28X, STRAP ASSY. 2-70-18X						
1.1250	.3120	1.7500	1.5000	3.0000	18	2-4-154
1.2500	.3120	2.1250	1.5000	2.9380	22	2-4-64
1.3750	.3750	2.1250	2.0000	3.4380	22	2-4-824
1.3750	.3750	2.2500	2.0000	3.4380	—	2-4-834
1350 SERIES		SR STYLE	E-3.875 ALL OTHERS E-3.625, D-1.188			USE KIT 5-178X
USES U-BOLT ASSY. 3-94-18X, STRAP ASSY. 3-70-28X						
1.2460	.3120	2.2500	1.5000	3.0000	18	3-4-54
1.2460	.3120	2.2500	1.5000	3.0000	18	3-4-54-1
1.3750	.3750	2.2500	2.0000	3.5310	22	3-4-24
1.3750	.3750	2.2500	2.0000	3.5310	22	3-4-24-1
1.4960	.3750	2.2500	2.0000	3.5000	—	3-4-84
1.4960	.3750	2.2500	2.0000	3.5000	—	3-4-84-1
1410 SERIES		SR STYLE	E-4.438 ALL OTHERS E-4.188, D-1.188			USE KIT 5-160X
USES U-BOLT ASSY, 3-94-18X, STRAP KIT 3-70-28X						
1.3750	.3750	2.2500	2.0000	3.6880	30	3-4-14
1.3750	.3750	2.2500	2.0000	3.6880	30	3-4-14-1
1.3750	.3750	2.2500	2.0000	3.6880	30	3-4-154
1.3750	.3750	2.2500	2.0000	3.6880	30	3-4-154-1
1.4960	.3750	2.3500	2.0000	3.6900	30	3-4-34
1.4960	.3750	2.5000	2.0000	3.8120	27	3-4-64
1650 SERIES		E-5.594 D-1.625				USE KIT 5-165X
USES CAP & BOLT ASSY. 5-70-18X						
1.7500	.4380	2.8750	2.2500	4.3120	22	5-4-1324



HEX & SQUARE HOLE



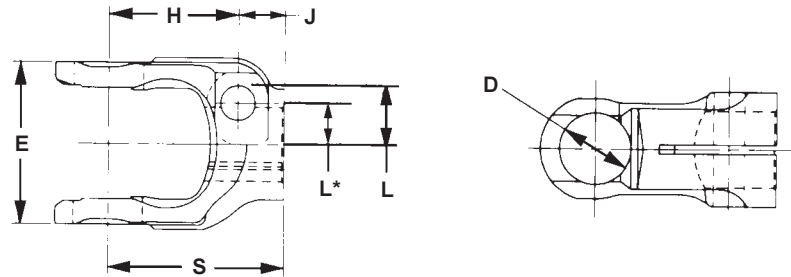
P	R	W		S	End Yoke Part Number
		Set Screw Hole Viewed from Hub End			
Hex Hole Diameter	Ground Hub Diameter	Hole Diameter	Location	Centerline to End of Hub	
1000 SERIES		K-1.500	D-.938		USE KIT 5-170X
.8750	2.0000	.3750	3	2.5000	10-4-282
1.1250	2.0000	.3750	3	2.5000	10-4-32



P	R	W		S	End Yoke Part Number
		Set Screw Hole Viewed from Hub End			
Hex Hole Diameter	Ground Hub Diameter	Hole Diameter	Location	Centerline to End of Hub	
1000 SERIES		K-1.500	D-.938		USE KIT 5-170X
.7500	1.6250	.3750	3	2.5000	10-4-22
.8120	1.9690	.3750	3	2.5000	10-4-42
.8750	1.6250	.3750	3	2.8750	10-4-62
.8750	1.9690	.3750	3	2.5000	10-4-12
1.0000	2.0000	.3750	3	2.5000	10-4-52
1140 SERIES		K-1.812	D-1.062		USE KIT NO. 5-242X
1.0000	—	.3750	—	—	1-4-222
1240 SERIES		E-2.875	D-1.125		USE KIT NO 5-129X
1.0000	—	—	—	—	2-4-152
1440 SERIES		K-2.828	D-1.312		USE KIT NO. 5-431X
1.3120	—	—	—	—	3.4-4-82



STEERING SHAFT SERRATED HOLE With Snap Ring Design



Serrated Hole		Bolt Hole Diameter	H	J	L	L1	S	End Yoke Part Number
Major Diameter	Minor Diameter (Nominal)		Center of Bolt Hole to Center of Bearing Hole	Center of Bolt Hole to End of Hub	Top of Bolt Hole to Center of Spline	Center of Bolt Hole to Center of Spline		
1000 SERIES			K-2.188	D-.938				USE KIT 5-103X
.7350-30 Based On 36 Serrations								
.7350	.6960	.4510	2.1200	.5000	-	.5250	2.6200	10-4-431SX
.7390-21 Based On 36 Serrations								
.7390	.6960	.4670	1.7800	.4700	.7480	-	2.2500	10-4-871SX
.7390-26 Based On 36 Serrations								
.7390	.6960	.4670	1.7800	.4700	.7260	.5250	2.2500	10-4-611SX
.7390-30 Based On 36 Serrations								
.7390	.6960	.4060	2.0300	.4700	-	.4700	2.5000	10-4-931SX
.7390	.6960	.4060	2.0300	.4700	-	.4700	2.5000	10-4-631SX
.7390	.6960	.4060	2.0300	.4700	.6730	-	2.5000	10-4-491SX
.8110-30 Based On 36 Serrations								
.8110	.7640	.4050	2.0300	.4700	.7100	-	2.5000	10-4-501SX
.8110	.7640	.4050	2.1200	.5000	.7100	-	2.6200	10-4-901SX
.8110	.7640	.4510	1.7500	.3900	.7690	-	2.1400	10-4-1251SX
.8110	.7640	.4670	2.0300	.4700	.7700	-	2.5000	10-4-821SX
.8110	.7640	.4670	2.0300	.4700	.7700	-	2.5000	10-4-1001SX
.8110	.7640	.4680	2.0300	.4700	.7610	-	2.5000	10-4-861SX
.8110	.7640	.4700	2.0300	.3800	.7700	-	2.4100	10-4-1181SX
.8130-18 Based On 36 Serrations								
.8130	.7640	.4510	2.0300	.3800	.7640	-	2.4100	10-4-911SX
.8130	.7640	.4510	2.0300	.4700	.7590	-	2.5000	10-4-841SX
.8130	.7640	.4670	1.7800	.3800	.7610	-	2.1600	10-4-621SX
.8130	.7640	.4670	1.7800	.4700	.7620	-	2.2500	10-4-1281SX
.8130	.7640	.4670	2.3300	.3700	.7610	-	2.7000	10-4-551SX
.8700-30 Based On 36 Serrations								
.8700	.8190	.4030	2.0310	.4690	.7480	-	2.5000	10-4-601SX
.8700	.8190	.4050	2.0300	.3800	.7100	-	2.4100	10-4-1011SX
.8700	.8190	.4050	2.0310	.4690	.7380	-	2.5000	10-4-951SX
.8700	.8190	.4510	2.0310	.4700	.7810	-	2.5000	10-4-1061SX
.8700	.8190	.4510	2.0310	.5300	.7890	-	2.2800	10-4-1241SX
.8700	.8190	.4670	2.0310	.4690	.8150	-	2.5000	10-4-741SX
.8700	.8190	.4670	2.0310	.4700	.7800	-	2.5000	10-4-991SX
.8700	.8190	.4670	2.0310	.4700	.7870	-	2.5000	10-4-461SX
.9900-14 Based On 36 Serrations								
.9900	.9470	.4510	2.0300	.4700	.8520	-	2.5000	10-4-851SX



STEERING SHAFT SERRATED HOLE

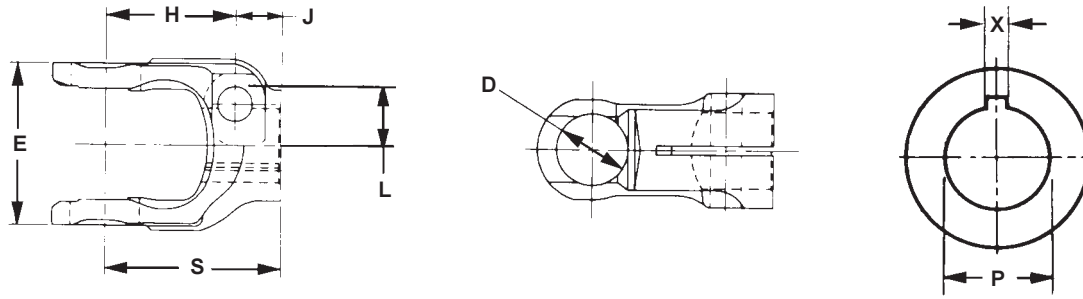
With Snap Ring Design



Serrated Hole		Bolt Hole Diameter	H	J	L	L1	S	End Yoke Part Number
Major Diameter	Minor Diameter (Nominal)		Center of Bolt Hole to Center of Bearing Hole	Center of Bolt Hole to End of Hub	Top of Bolt Hole to Center of Spline	Center of Bolt Hole to Center of Spline	Centerline to End of Hub	
1000 SERIES (Continued)			K-2.188	D-.938				USE KIT 5-103X
.9940-30 Based On 36 Serrations								
.9940	.9470	.4050	1.7500	.6300	.8020	-	2.3800	10-4-391SX
.9940	.9470	.4050	1.7800	.4700	.8020	-	2.2500	10-4-121SX
.9940	.9470	.4050	1.7800	.4700	.8020	-	2.2500	10-4-561SX
.9940	.9470	.4050	2.0300	.4700	.8020	-	2.5000	10-4-961SX
.9940	.9470	.4050	2.0300	.4700	.8020	-	2.5000	10-4-371SX
.9940	.9470	.4510	2.0300	.4700	.8630	-	2.5000	10-4-971SX
.9940	.9470	.4510	2.0300	.4700	.8630	-	2.5000	10-4-451SX
.9940	.9470	.4510	4.0000	.4700	.8630	-	4.4700	10-4-1201SX
.9940	.9470	.4670	2.0300	.4700	.8350	-	2.5000	10-4-731SX
1.0060-34 Based On 48 Serrations								
1.0060	.9600	.4680	2.0300	.4700	-	.6300	2.5000	10-4-661SX
1310 SERIES			E-3.469	D-1.062				USE KIT 5-251X
1.0000-30 Based On 36 Serrations								
1.0000	.9470	4.5000	2.1200	.7600	-	.6100	2.8800	2-4-4411SX
1.0000-36 Serrations								
1.0000	.9470	.4060	2.1250	.4370	-	.6100	2.5620	2-4-4461SX



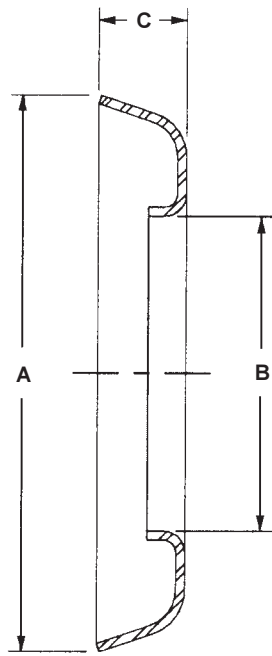
STEERING SHAFT STRAIGHT ROUND HOLE With Snap Ring Design



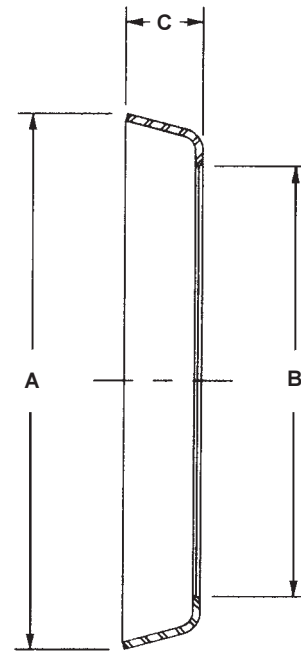
STRAIGHT ROUND HOLE		Bolt Hole Diameter	H	J	L	S	End Yoke Part Number
Hole Size Max./Min.	Keyway Width		Center of Bolt Hole to Center of Bearing Hole	Center of Bolt Hole to End of Hub	Center of Bolt Hole to Center of Hub Hole	Centerline to End of Hub	
1000 Series		E-2.188	D-.938				Use Kit 5-103X
0.751/.750	0.188	0.469	1.750	0.625	0.510	2.375	10-4-1673SX
0.986/.985	0.188	0.469	1.750	0.625	0.560	2.375	10-4-1083SX
1.0005/.9995	0.188	0.406	1.625	0.750	0.565	2.375	10-4-1183SX



SLINGER STYLES



Style 1

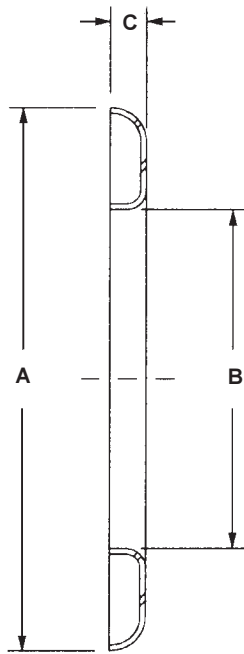


Style 2

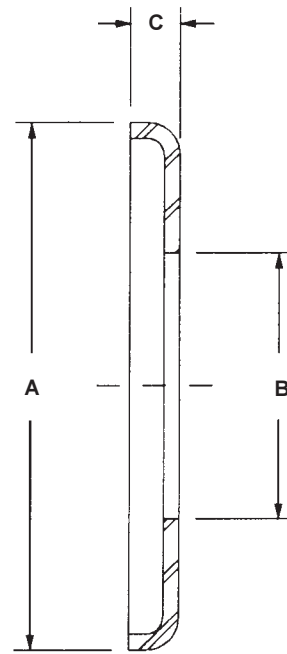
Slinger Number	Style	A	B	C
98-1361	1	4.812	2.953	.812
98-1362	1	5.719	2.938	.875
230118	1	4.000	2.062	.562
230124	1	4.375	2.562	.512
230421	1	3.938	2.188	.531
230674	1	6.125	3.516	.750
230795	1	5.453	3.938	.656
230909	1	4.625	2.938	.312
230921	1	7.000	3.141	.812
231004	1	3.656	2.141	.438
231022	1	4.891	3.000	.688
231101	1	6.000	2.938	.938
231102	1	4.891	3.141	.938
231179	1	5.750	3.391	.938
231206	1	4.812	2.500	.000
231263	1	5.656	3.391	.609
231302	1	3.078	1.859	.422

Slinger Number	Style	A	B	C
231347	1	5.672	3.031	.469
231357	1	5.000	3.109	.750
231359	1	6.000	3.125	.812
231541	1	4.688	2.954	.500
231599	1	6.750	3.391	.500
231615	1	7.406	3.109	.750
231780	1	3.438	1.609	.344
231803	1	7.000	3.484	.891
231959	1	4.891	3.000	.562
232055	1	5.359	3.250	.375
232189	1	5.000	3.109	.750
31875	1	4.125	1.562	.406
230998	2	4.250	3.500	.625
231047	2	4.891	3.500	.750
231745	2	7.000	3.750	.719
231866	2	6.000	3.500	.812





Style 3



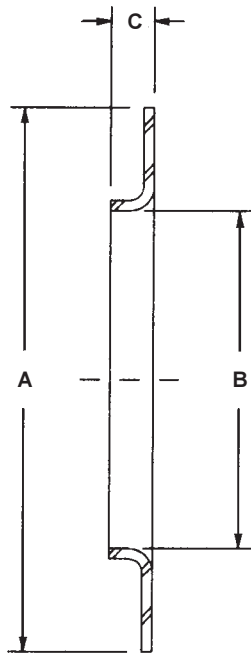
Style 4

Slinger Number	Style	A	B	C
565-W	3	4.438	2.500	.531
15099	3	2.125	1.562	.219
230746	3	4.625	2.391	.875
230888	3	5.650	4.250	.656
230910	3	4.625	2.938	.312
230991	3	5.438	3.938	.656
231028	3	4.328	3.000	.938
231620	3	3.812	3.031	.266
231877	3	2.531	1.500	.547
232039	3	4.062	2.766	.125
232042-1	3	4.500	2.375	.797
232042-10	3	5.797	3.375	.406
232042-11	3	5.406	3.375	.406
232042-2	3	4.906	2.625	.500

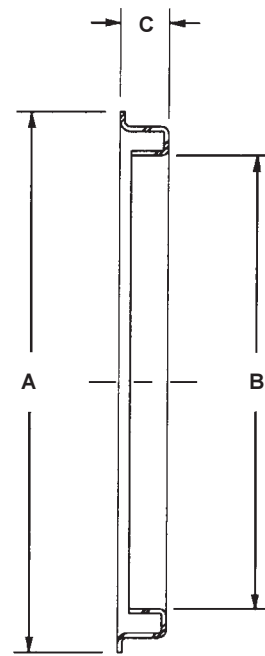
Slinger Number	Style	A	B	C
232042-3	3	5.109	3.000	.297
232042-6	3	5.297	3.125	.500
232193	3	6.438	4.016	.500
232367	3	4.000	3.000	.812
232372	3	4.688	3.109	.675
330851	3	2.844	1.562	.406
34592	3	2.438	1.875	.219
41498	3	2.125	1.603	.219
230859	4	4.750	2.938	.312
230902	4	4.000	2.016	.375
232002	4	6.000	3.141	.375
232027	4	6.000	3.141	.359



SLINGER STYLES



Style 5

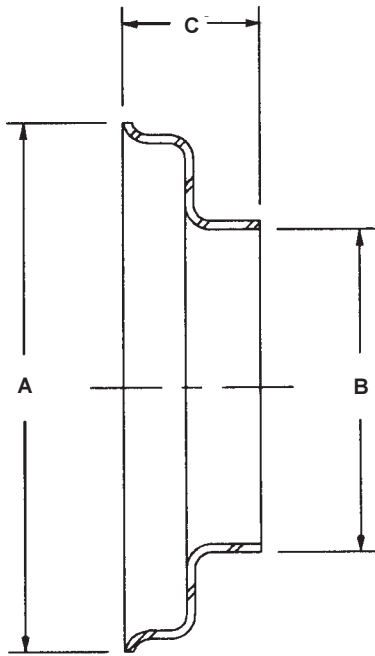


Style 6

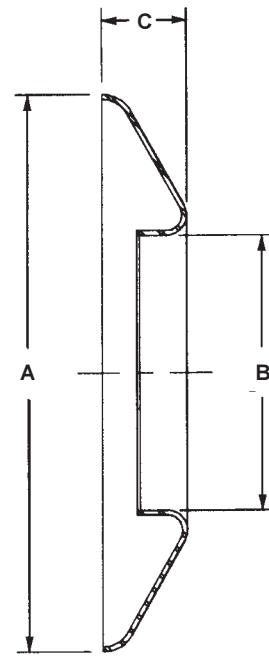
Slinger Number	Style	A	B	C
230794	5	4.750	2.938	.312
232182	5	6.000	3.141	.375
42779	5	3.125	2.188	.340
231579	6	2.500	2.281	.547
231596	6	2.938	1.578	.438
231616	6	4.594	3.844	.422
231750	6	3.954	3.031	.375

Slinger Number	Style	A	B	C
231755	6	3.954	3.062	0.562
232032	6	4.016	2.438	0.438
232166	6	3.425	3.156	0.781
232168	6	3.766	3.000	0.641
232511	6	5.000	3.125	0.350
232514	6	4.125	2.750	0.390
232609	6	3.820	3.000	1.260





Style 7

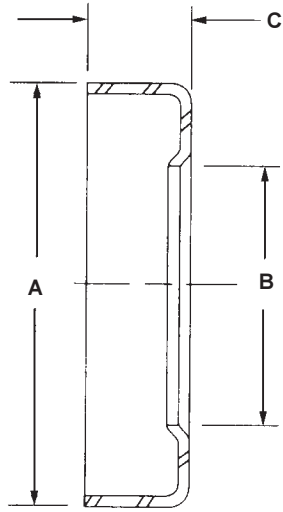


Style 8

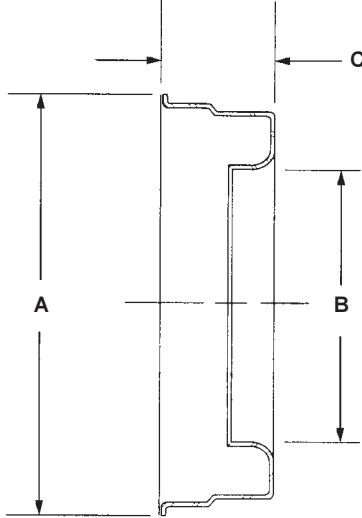
Slinger Number	Style	A	B	C	Slinger Number	Style	A	B	C
829W	7	4.375	3.062	0.625	330287	7	4.562	2.766	0.891
1015W	7	3.438	2.766	0.750	330499	7	5.000	3.062	0.812
98-1473	7	2.266	1.781	0.500	41195	8	2.891	1.891	0.422
230386	7	3.562	2.375	1.250	230207	8	4.375	2.531	0.875
230587	7	3.562	2.500	0.812	230895	8	4.625	2.391	0.875
230629	7	3.375	2.031	0.719	230900	8	5.500	2.766	0.844
230865	7	3.281	2.188	0.562	230909	8	4.312	2.625	0.625
230881	7	2.750	1.781	0.500	231058	8	6.125	4.016	0.859
230897	7	4.000	2.688	0.594	231872	8	3.469	2.562	0.625
231015	7	4.797	2.969	0.562	231935	8	2.875	1.188	0.375
231356	7	3.734	2.281	0.797	232189	8	5.000	3.109	0.950
231366	7	4.672	2.844	0.891	232198	8	3.312	2.469	0.562
231549	7	2.266	1.781	0.500	232199	8	3.656	3.094	0.625
231550	7	4.766	2.750	1.406	232200	8	3.828	3.094	0.562
231636	7	3.000	2.281	0.578	232201	8	4.812	3.594	1.000
232037	7	4.234	2.750	0.781					



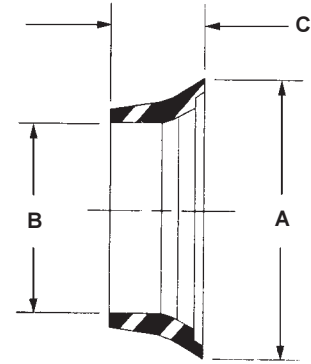
SLINGER STYLES



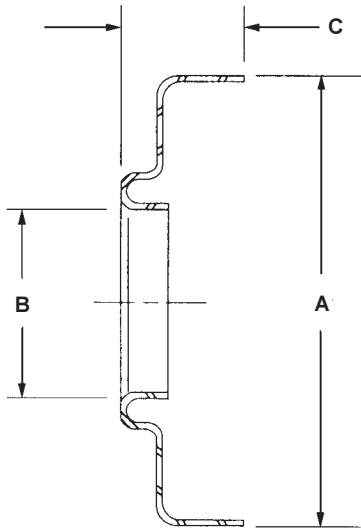
Style 9



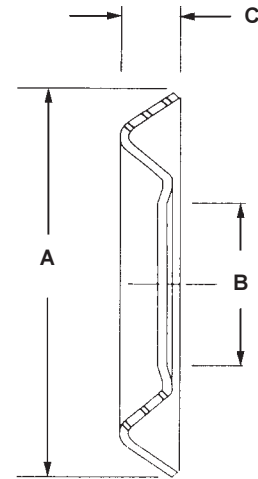
Style 10



Style 11



Style 12



Style 13

Slinger Number	Style	A	B	C
231013	9	5.125	3.438	1.125
232167	10	4.344	2.750	1.000
232604	10	4.781	3.000	1.070

Slinger Number	Style	A	B	C
42735	11	2.180	1.535	0.729
42501	12	5.120	1.875	0.793
30798	13	3.812	1.875	0.312





100-4-1361-1	4	10-4-43	54	1-4-1133	55
100-4-1371-1X	4	10-4-431SX	60	1-4-1201	10
100-4-891-1	4	10-4-443	54	1-4-1293	55
100-4-901-1X	4	10-4-451SX	61	1-4-1383	55
100-4-911-1	4	10-4-453	54	1-4-222	59
100-4-921-1X	4	10-4-461SX	60	1-4-3003	55
100-4-931-1	4	10-4-481	9	1-4-3043	55
1015W	66	10-4-491SX	60	1-4-3093	55
10-4-1001SX	60	10-4-501SX	60	1-4-3113	55
10-4-101	9	10-4-52	59	1-4-3133	55
10-4-1011SX	60	10-4-53	54	1-4-3153	55
10-4-103	54	10-4-551SX	60	1-4-783	55
10-4-1061SX	60	10-4-561SX	61	1-4-803	55
10-4-1083SX	62	10-4-573	54	1-4-823	55
10-4-11	9	10-4-601SX	60	1-4-933	55
10-4-113	54	10-4-611SX	60	1-4-943	55
10-4-1181SX	60	10-4-62	59	15099	64
10-4-1183SX	62	10-4-621SX	60	170-4-101-1X	5
10-4-12	59	10-4-63	54	170-4-1031-1	5
10-4-1201SX	61	10-4-631SX	60	170-4-1041-1X	5
10-4-121SX	61	10-4-641	9	170-4-1081-1	5
10-4-123	54	10-4-661SX	61	170-4-1091-1	6
10-4-1241SX	60	10-4-693	54	170-4-111-1	5
10-4-1251SX	60	10-4-713	54	170-4-1171-1	6
10-4-1281SX	60	10-4-723	54	170-4-1191-1X	6
10-4-13	54	10-4-73	54	170-4-1211-1	6
10-4-133	54	10-4-731SX	61	170-4-121-1X	5
10-4-143	54	10-4-741SX	60	170-4-1221-1X	6
10-4-1473	54	10-4-821SX	60	170-4-1251-1	5
10-4-153	54	10-4-83	54	170-4-1261-1X	5
10-4-163	54	10-4-841SX	60	170-4-1271-1	6
10-4-1673SX	62	10-4-851SX	60	170-4-1281-1	6
10-4-1813	54	10-4-861SX	60	170-4-1291-1X	6
10-4-183	54	10-4-871SX	60	170-4-1441-1	5
10-4-193	54	10-4-901SX	60	170-4-151-1	5
10-4-203	54	10-4-911SX	60	170-4-161-1X	5
10-4-21	9	10-4-93	54	170-4-191-1	5
10-4-213	55	10-4-931SX	60	170-4-201-1X	5
10-4-22	59	10-4-951SX	60	170-4-21-1	5
10-4-223	55	10-4-961SX	61	170-4-211-1	5
10-4-23	54	10-4-971SX	61	170-4-221-1X	5
10-4-233	54	10-4-991SX	60	170-4-231-1	5
10-4-253	54	140-4-1011-1	4	170-4-241-1X	5
10-4-282	59	140-4-1021-1	4	170-4-251-1	5
10-4-293	54	140-4-11-1	4	170-4-261-1X	5
10-4-303	54	140-4-301-1	4	170-4-271-1	5
10-4-31	9	140-4-311-1X	4	170-4-281-1X	5
10-4-32	59	140-4-321-1	4	170-4-291-1	6
10-4-33	54	140-4-331-1X	4	170-4-301-1X	6
10-4-333	54	140-4-441-1	4	170-4-31-1X	5
10-4-371SX	61	140-4-451-1X	4	170-4-351-1	5
10-4-373	54	140-4-751-1	4	170-4-361-1X	5
10-4-383	55	140-4-761-1	4	170-4-371-1	5
10-4-391SX	61	140-4-921-1	4	170-4-381-1X	5
10-4-42	59	140-4-931-1X	4	170-4-411-1	6



170-4-421-1X	6	230998	63	232189	63, 66
170-4-471-1	6	231004	63	232193	64
170-4-481-1X	6	231013	67	232198	66
170-4-491-1	6	231015	66	232199	66
170-4-501-1X	6	231022	63	232200	66
170-4-511-1	6	231028	64	232201	66
170-4-521-1X	6	231047	63	232367	64
170-4-541-1	5	231058	66	232372	64
170-4-561-1	6	231101	63	232511	65
170-4-571-1	5	231102	63	232514	65
170-4-591-1X	5	231179	63	232604	67
170-4-641-1	5	231206	63	232609	65
170-4-651-1X	5	231263	63	2-4-1053	55
170-4-661-1	5	231302	63	2-4-1103	55
170-4-671-1X	5	231347	63	2-4-1233	55
170-4-691-1X	5	231356	66	2-4-1301	12
170-4-711-1	5	231357	63	2-4-1311	13
170-4-721-1X	5	231359	63	2-4-1343	55
170-4-731-1	5	231366	66	2-4-1363	55
170-4-741-1X	5	231541	63	2-4-1413	55
170-4-801-1	5	231549	66	2-4-1423	55
170-4-811-1X	5	231550	66	2-4-1463	55
170-4-821-1	5	231579	65	2-4-152	59
170-4-831-1	5	231596	65	2-4-154	58
170-4-841-1	5	231599	63	2-4-1721	10
170-4-851-1X	5	231615	63	2-4-1731	13
170-4-861-1X	5	231616	65	2-4-1741	13
170-4-891-1	5	231620	64	2-4-177	55
170-4-901-1X	5	231636	66	2-4-1831	12
170-4-91-1	5	231745	63	2-4-1873	55
170-4-951-1	5	231750	65	2-4-1921	12
170-4-961-1X	5	231755	65	2-4-1943	55
230118	63	231780	63	2-4-1981	12
230124	63	231803	63	2-4-1991X	12
230207	66	231866	63	2-4-2013	55
230386	66	231872	66	2-4-2271	11
230421	63	231877	64	2-4-2271-1	11
230587	66	231935	66	2-4-2281-1X	11
230629	66	231959	63	2-4-237	13
230674	63	232002	64	2-4-2371	13
230746	64	232027	64	2-4-2401	13
230794	65	232032	65	2-4-2411X	13
230795	63	232037	66	2-4-2461X	11
230859	64	232039	64	2-4-2551	14
230865	66	232042-1	64	2-4-2561X	14
230881	66	232042-10	64	2-4-2601	12
230888	64	232042-11	64	2-4-2611X	12
230895	66	232042-2	64	2-4-2613	55
230897	66	232042-3	64	2-4-2663	55
230900	66	232042-6	64	2-4-2671	13
230902	64	232055	63	2-4-2681	11
230909	63, 66	232166	65	2-4-2691X	11
230910	64	232167	67	2-4-2791	11
230921	63	232168	65	2-4-2801X	11
230991	64	232182	65	2-4-2821X	11





2-4-2841	11	2-4-5321	11	2-4-7031-1X	14
2-4-2851X	11	2-4-533	55	2-4-7061	13
2-4-2901	12	2-4-5331X	11	2-4-7111-1	10
2-4-3081	10	2-4-5341	13	2-4-7141-1	13
2-4-3101	10	2-4-5411	13	2-4-7151	13
2-4-3161	11	2-4-5421X	13	2-4-7181-1	13
2-4-3181	13	2-4-5441	14	2-4-7221-1X	10
2-4-3331	10	2-4-5521	14	2-4-7291-1X	11
2-4-353	55	2-4-553	55	2-4-7301-1	12
2-4-3571	14	2-4-5681-1	14	2-4-7371-1X	12
2-4-3581X	14	2-4-5691-1X	14	2-4-7381	13
2-4-3661	14	2-4-5701	13	2-4-7401-1	11
2-4-3671X	14	2-4-573	55	2-4-7491-1	11
2-4-3701	12	2-4-5781	13	2-4-7501-1X	11
2-4-3741	12	2-4-583	55	2-4-7581	14
2-4-3741-1	12	2-4-5851-1	12	2-4-7631-1	14
2-4-3771	13	2-4-5891	10	2-4-7641-1	53
2-4-3781X	13	2-4-5901-1	10	2-4-7651-1X	53
2-4-3791	13	2-4-5911-1	10	2-4-7661-1	53
2-4-3791-1	13	2-4-5921-1X	10	2-4-7671-1	53
2-4-3801-1X	13	2-4-5991-1	13	2-4-7681-1X	53
2-4-3801X	13	2-4-6001-1	13	2-4-7711	11
2-4-3981	10	2-4-6011	13	2-4-7731	12
2-4-4011	12	2-4-6101	15	2-4-7751-1	12
2-4-4021X	12	2-4-6111X	15	2-4-783	55
2-4-4031	14	2-4-6121-1	11	2-4-7871	11
2-4-4051	11	2-4-613	55	2-4-7881-1X	12
2-4-4061X	11	2-4-6131-1X	11	2-4-7891-1	53
2-4-4071	14	2-4-6161-1	12	2-4-7901-1	53
2-4-411	13	2-4-6171-1	11	2-4-7991-1	11
2-4-4191	13	2-4-6181-1X	11	2-4-803	55
2-4-4261	10	2-4-6191-1	10	2-4-8031-1	10
2-4-4291X	14	2-4-6221	14	2-4-8041	15
2-4-433	55	2-4-6231	14	2-4-8051X	15
2-4-4341	11	2-4-6291	12	2-4-8061	10
2-4-4411SX	61	2-4-6301	12	2-4-8081	11
2-4-443	55	2-4-6341	13	2-4-8081-1	11
2-4-4441	13	2-4-64	58	2-4-8091-1X	11
2-4-4461SX	61	2-4-6401-1	11	2-4-8091X	11
2-4-4471X	12	2-4-6411-1X	11	2-4-8131-1	11
2-4-453	55	2-4-6541-1	13	2-4-8141-1	11
2-4-4601-1	12	2-4-6551-1X	13	2-4-8161	11
2-4-463	55	2-4-6561-1	11	2-4-8171X	11
2-4-473	55	2-4-663	55	2-4-8181-1	11
2-4-4801	13	2-4-6641-1	11	2-4-8191-1X	11
2-4-4921	11	2-4-6661-1	11	2-4-8201-1	11
2-4-4931	11	2-4-6721-1	10	2-4-8211-1X	11
2-4-503	55	2-4-6731-1X	10	2-4-824	58
2-4-5091	13	2-4-6781-1	11	2-4-8241	11
2-4-5141	13	2-4-6851-1	14	2-4-8311-1	11
2-4-523	55	2-4-6881	13	2-4-8321-1	11
2-4-5241	11	2-4-6891-1	12	2-4-8331-1	13
2-4-5251X	11	2-4-6901-1X	12	2-4-834	58
2-4-5301	15	2-4-6981-1X	11	2-4-8381-1X	11
2-4-5311X	15	2-4-7021-1	11	2-4-8391-1X	13



2-4-8421-1	14	3-4-103	56	3-4-1213	57
2-4-8431-1	14	3-4-10301-1	21	3-4-12211-1	15
2-4-8451-1	14	3-4-10461-1X	19	3-4-12461-1	16
2-4-8521-1	11	3-4-10471-1X	23	3-4-12471-1	19
2-4-853	55	3-4-10541-1	19	3-4-12491-1M	23
2-4-8551-1X	11	3-4-10551-1	18	3-4-12501-1XM	23
2-4-8571-1	11	3-4-10571	18	3-4-12611	16
2-4-8581-1X	11	3-4-10571-1	18	3-4-1261-1	16
250-4-101-1X	7	3-4-10591-1	16	3-4-12671-1	17
250-4-191-1	7	3-4-10781-1	23	3-4-12711-1M	22
250-4-201-1X	7	3-4-10931-1	18	3-4-12721-1XM	22
250-4-21-1	7	3-4-10941-1	17	3-4-12771-1	15
250-4-231-1	7	3-4-10951-1	17	3-4-12771-2	15
250-4-241-1X	7	3-4-11051-1	23	3-4-12981-1M	23
250-4-271-1	7	3-4-11061-1X	23	3-4-12991-1XM	23
250-4-281-1	7	3-4-11071-1	23	3-4-13	56
250-4-291-1X	7	3-4-11081-1X	19	3-4-13001-1	16
250-4-31-1	6	3-4-1111	16	3-4-1301	16
250-4-341-1	7	3-4-1111-1	16	3-4-13011-1X	16
250-4-351-1X	7	3-4-11161-1	22	3-4-13031-1X	15
250-4-361-1	6	3-4-11171-1	21	3-4-13031-2X	15
250-4-371-1X	6	3-4-11181	22	3-4-13041-1X	19
250-4-381-1	6	3-4-11181-1	22	3-4-13051-1	23
250-4-391-1X	6	3-4-11221-1	15	3-4-13061-1X	23
250-4-41-1X	6	3-4-11231-1X	15	3-4-13071-1	23
250-4-51-1	6	3-4-11281-1X	21	3-4-13081-1X	23
250-4-531-1	6	3-4-11421-1	15	3-4-13161	15
250-4-541-1X	6	3-4-11441-1	15	3-4-13211-1	16
250-4-561-1	7	3-4-11471-1	17	3-4-13301-1	19
250-4-61-1X	6	3-4-11491-1	18	3-4-13341-1	23
250-4-641-1	7	3-4-11551-1	23	3-4-13351-1X	23
250-4-651-1X	7	3-4-11561-1	21	3-4-13391-1X	20
250-4-71-1	6	3-4-11591-1	19	3-4-13431-1	17
250-4-811-1	6	3-4-1161-1	19	3-4-13441-1X	17
250-4-81-1X	6	3-4-11621-1X	23	3-4-13511-1	17
250-4-91-1	7	3-4-11701-1X	19	3-4-1353	56
3.4-4-163	56	3-4-11711-1	16	3-4-13551-1M	23
3.4-4-173	56	3-4-11721-1	15	3-4-13561-1XM	23
3.4-4-193	56	3-4-1173	57	3-4-13631-1	19
3.4-4-361	20	3-4-11741-1	19	3-4-13641-1X	19
3.4-4-82	59	3-4-11761-1	19	3-4-13651-1	22
3.4-4-83	56	3-4-11801-1	22	3-4-13661-1X	22
3.4-4-91	20	3-4-11811-1	18	3-4-13681-1	20
30798	67	3-4-11851-1	17	3-4-13701-1	23
31875	63	3-4-11871-2	21	3-4-1371	16
330287	66	3-4-11891-1X	17	3-4-13731-1	16
330499	66	3-4-11901-1	15	3-4-13761-1	15
330851	64	3-4-11911-1X	15	3-4-13791-1	21
3-4-1003	56	3-4-11921-1X	23	3-4-13861X	22
3-4-10081-1	22	3-4-11931-1X	15	3-4-13871-1	18
3-4-10121-1	19	3-4-12091-1	22	3-4-13881-1	17
3-4-10241X	20	3-4-12101-1X	22	3-4-13921-1	20
3-4-10251-1	19	3-4-1211	16	3-4-13961-1	23
3-4-10261-1	23	3-4-12111-1	23	3-4-13971-1X	23
3-4-10281-1	16	3-4-12121-1X	23	3-4-13991-1	21





3-4-14	58	3-4-3051	23	3-4-5191	18
3-4-14001-1M	23	3-4-3061	22	3-4-5221	15
3-4-14011-1XM	23	3-4-3061-1	22	3-4-53	56
3-4-14031-1	21	3-4-3081	20	3-4-5301	15
3-4-14071-1X	19	3-4-3091	20	3-4-5321	17
3-4-14-1	58	3-4-3111	20	3-4-5341	15
3-4-14131-1	16	3-4-3121-1	22	3-4-5391X	15
3-4-14141-1X	16	3-4-3141-1	21	3-4-54	58
3-4-14371-1	19	3-4-3181	21	3-4-54-1	58
3-4-14381-1X	19	3-4-3191-1	21	3-4-543	56
3-4-14391-1X	19	3-4-3231	20	3-4-5441	23
3-4-1441-1	17	3-4-3231-2	20	3-4-5531	21
3-4-14561-1	15	3-4-3241-1	21	3-4-5701-1	17
3-4-14571-1X	15	3-4-3291	16	3-4-5711-1X	17
3-4-1471	17	3-4-333	56	3-4-5721-1	15
3-4-1481-1	17	3-4-3331X	20	3-4-5731-1X	15
3-4-1501-1	17	3-4-3351	19	3-4-5741-1X	19
3-4-154	58	3-4-3361	18	3-4-5751	15
3-4-154-1	58	3-4-3391	21	3-4-5751-1	15
3-4-1543	56	3-4-3391-1	21	3-4-5761-1X	15
3-4-163	56	3-4-34	58	3-4-5761X	15
3-4-163-1	56	3-4-3491	19	3-4-5781-1X	21
3-4-1753	57	3-4-3521	20	3-4-5791-1X	22
3-4-1763	56	3-4-3541	22	3-4-5791X	22
3-4-178-1X	16	3-4-3551	21	3-4-5811-1X	21
3-4-1841	19	3-4-3571	21	3-4-5811X	21
3-4-1841-1	19	3-4-3571-1	21	3-4-5821X	23
3-4-1901	18	3-4-3671X	17	3-4-5831-1X	22
3-4-1911-1	18	3-4-3771	21	3-4-5881-1X	19
3-4-2031	19	3-4-3781	20	3-4-5911	21
3-4-2051-1	15	3-4-3781-1	20	34592	64
3-4-2111	15	3-4-3801	17	3-4-5921-1X	19
3-4-2111-1	15	3-4-3801-1	17	3-4-6011	22
3-4-2131-1	19	3-4-3811-1	17	3-4-6051-1X	20
3-4-2171-1	16	3-4-3821-1	22	3-4-613	56
3-4-223	56	3-4-3851	20	3-4-613-1	56
3-4-2231	17	3-4-3861	23	3-4-6211	16
3-4-2241-1	18	3-4-3891	22	3-4-6231-1	21
3-4-2251	19	3-4-3901-1	23	3-4-6241-1X	21
3-4-2281	19	3-4-3921	16	3-4-6251	20
3-4-2351-1	17	3-4-3931-1	17	3-4-6261X	20
3-4-24	58	3-4-3941	17	3-4-64	58
3-4-24-1	58	3-4-3951	16	3-4-6411	21
3-4-2511-1	19	3-4-3951-1	16	3-4-6531	18
3-4-263-1	56	3-4-3961	18	3-4-6561	18
3-4-2703	56	3-4-4051	21	3-4-6561-1	18
3-4-273	56	3-4-4211	23	3-4-6561-2	18
3-4-273-1	56	3-4-4221-1	21	3-4-6631X	18
3-4-2821-1	19	3-4-4271	21	3-4-6671-1X	23
3-4-283-1	56	3-4-43	56	3-4-6691	21
3-4-2841-1	17	3-4-4421X	20	3-4-6701	20
3-4-2851-1X	17	3-4-4441	17	3-4-6751	18
3-4-2941	18	3-4-4451X	17	3-4-6901-1	20
3-4-2941-1	18	3-4-5101	15	3-4-6901-2	20
3-4-3041-1	19	3-4-5151	17	3-4-7001	22



3-4-7011	18	3-4-8961-2X	20	4-4-3581-1X	25
3-4-7031	19	3-4-9001-1X	17	4-4-3581-2X	25
3-4-7031-1	19	3-4-9031	21	4-4-3671	27
3-4-7131	19	3-4-9221-2	21	4-4-3811	25
3-4-7141	17	3-4-9231	22	4-4-3841	25
3-4-7151	18	3-4-9231-1	22	4-4-3841-1	24
3-4-7161	21	3-4-9231-2	22	4-4-3851-1	25
3-4-7171	21	3-4-9241-1X	22	4-4-3861-1X	25
3-4-7241	16	3-4-9241-2X	22	4-4-3931-2	27
3-4-7251-1	22	3-4-9251-2	18	4-4-4041-1X	26
3-4-7261-1X	22	3-4-9271-1	21	4-4-4071-1X	25
3-4-7311-1	19	3-4-9271-2	21	4-4-4071-2X	25
3-4-7321X	18	3-4-93	56	4-4-4101-1	25
3-4-7361	21	3-4-9301-1	21	4-4-4101-2	25
3-4-7361-1	21	3-4-9531-1	20	4-4-4111-1X	25
3-4-7391-1X	20	3-4-9621	22	4-4-4111-2X	25
3-4-7401	15	3-4-9741-1	22	4-4-4171	24
3-4-7541-1	22	3-4-9821-1	15	4-4-4171-1	24
3-4-7541-2	22	3-4-993	56	4-4-4191-1	25
3-4-7551	19	3-4-9931-1	19	4-4-4211	24
3-4-7571	23	3-4-9941-1	15	4-4-4211-1	24
3-4-7571-1	23	3-4-9981-1	22	4-4-4211-2	24
3-4-7721	17	41195	66	4-4-4231	25
3-4-7771	21	41498	64	4-4-4261-1	25
3-4-7781	20	42501	67	4-4-4361-1	27
3-4-793	56	42735	67	4-4-4421	26
3-4-7991-1	19	42779	65	4-4-4491	26
3-4-8001-1X	19	4-4-1901-1	25	4-4-4491-1	26
3-4-8021	21	4-4-1901-2	25	4-4-4611	26
3-4-8031	19	4-4-1921	24	4-4-4611-1	26
3-4-8041	21	4-4-1921-1	24	4-4-4611-2	26
3-4-8051-1X	22	4-4-1931	25	4-4-4741-1	26
3-4-8061X	19	4-4-1931-1	25	4-4-4751-1X	26
3-4-8071	19	4-4-1941-1	25	4-4-4771-2	25
3-4-813	56	4-4-2031	24	4-4-4781-1	24
3-4-8251-2X	23	4-4-2041-1	24	4-4-4781-2	24
3-4-833	56	4-4-2051-1	24	4-4-4791-1	25
3-4-84	58	4-4-2091	25	4-4-4791-2	25
3-4-84-1	58	4-4-2091-1	25	4-4-4801-1X	25
3-4-8421-2X	20	4-4-2151	24	4-4-4801-2X	25
3-4-8491-1	17	4-4-2171-2	24	4-4-4811-1	25
3-4-8501-1	17	4-4-2381-1	25	4-4-5061-1	25
3-4-8511-1	17	4-4-2401	26	4-4-5091-1	26
3-4-8561	20	4-4-2401-1	26	4-4-5111-1	24
3-4-8561-2	20	4-4-2431-1	25	4-4-5161-1	26
3-4-8581-2	23	4-4-2431-2	25	4-4-5171-1X	26
3-4-8681-1	16	4-4-2441-1	26	4-4-5181-1	25
3-4-8691-1X	16	4-4-2451-1	26	4-4-5251-1	24
3-4-8701-1	19	4-4-2481-1	26	4-4-5371-1	24
3-4-8721-1	19	4-4-2531	27	4-4-5551-1	25
3-4-8731	17	4-4-2931	25	4-4-5571-1	24
3-4-8781	23	4-4-2931-1	25	4-4-5581-1	27
3-4-8781-1	23	4-4-2941	26	4-4-5601-1	24
3-4-8931-2	23	4-4-3501	27	4-4-5611-1X	25
3-4-8941X	16	4-4-3501-1	27	4-4-5621-1	26





4-4-5691-1X	26	4-4-7821-1	27	5-4-4471-1	29
4-4-5701-1X	27	4-4-7831-1X	27	5-4-4481	28
4-4-5721-1	25	4-4-7871-1X	25	5-4-4491X	28
4-4-5881-2	24	4-4-7911-1M	27	5-4-453	57
4-4-5901-2X	24	4-4-7921-1XM	27	5-4-4541	29
4-4-5991-1	25	4-4-843	57	5-4-4551	29
4-4-6021-1	27	5-4-1051	28	5-4-4571	28
4-4-6051-2X	27	5-4-1221	30	5-4-4701	34
4-4-6101-1	26	5-4-1324	58	5-4-4721	29
4-4-6141-1	25	5-4-1391	30	5-4-4741	32
4-4-6211-1	26	5-4-1431	29	5-4-4751X	32
4-4-6231-1	27	5-4-1521	30	5-4-4761X	28
4-4-6331-1	24	5-4-1631	30	5-4-4771X	29
4-4-6341-1	24	5-4-1641	29	5-4-4831	29
4-4-6471-1	26	5-4-1641-1	29	5-4-4831-1	29
4-4-6741-1	25	5-4-1661	30	5-4-4841-1X	29
4-4-6781-2	25	5-4-1661-1	30	5-4-4841X	29
4-4-6791-2	24	5-4-1721	27	5-4-4861	33
4-4-6841-1	24	5-4-1721-1	27	5-4-4861-1	33
4-4-6851-1X	24	5-4-1831	30	5-4-4901X	28
4-4-6951-1	25	5-4-1891	32	5-4-4961	32
4-4-6961-1X	25	5-4-1891-1	32	5-4-4961-1	32
4-4-6971-1	26	5-4-1931	28	5-4-4971	33
4-4-6971-2	26	5-4-2031X	29	5-4-5001	34
4-4-6981-1X	26	5-4-2081	28	5-4-5031	32
4-4-6981-2X	26	5-4-2081-1	28	5-4-5031-1	32
4-4-6991-1	27	5-4-2111	34	5-4-5081X	28
4-4-7001-1X	27	5-4-2141	34	5-4-5091	29
4-4-7011-1	27	5-4-2161	34	5-4-5091-1	29
4-4-7021-1	27	5-4-2331	34	5-4-5111-1X	28
4-4-7081-1M	27	5-4-2401	27	5-4-5111X	28
4-4-7091-1XM	27	5-4-2501	29	5-4-5121-1X	29
4-4-7101-1M	26	5-4-2521	28	5-4-5121X	29
4-4-7111-1X	27	5-4-2531	29	5-4-5131X	30
4-4-7181-1M	27	5-4-2541	29	5-4-5161-1X	32
4-4-7191-1XM	27	5-4-3141	32	5-4-5161X	32
4-4-7241-1	27	5-4-3241	29	5-4-5221	29
4-4-7331-1M	27	5-4-3601X	28	5-4-5231X	29
4-4-7341-1	26	5-4-3611X	28	5-4-5281X	29
4-4-7361-1M	25	5-4-3621	28	5-4-5321X	29
4-4-7371-1XM	25	5-4-3681	29	5-4-5361-1	33
4-4-7391-1	24	5-4-3861	28	5-4-5371	33
4-4-7431-1	25	5-4-3901	28	5-4-5401-1	33
4-4-7491-1X	27	5-4-3911	29	5-4-5411-1X	33
4-4-7531	53	5-4-413	57	5-4-5421	31
4-4-7541X	53	5-4-4161X	34	5-4-5421-1	31
4-4-7551-1X	26	5-4-4211X	34	5-4-5441	31
4-4-7561-1	26	5-4-4221	29	5-4-5461	31
4-4-7571-1X	26	5-4-4381	30	5-4-5471X	31
4-4-7611-1	27	5-4-4391	29	5-4-5491-1X	33
4-4-7621-1X	27	5-4-4401	31	5-4-5501	32
4-4-7711-1M	27	5-4-4441X	28	5-4-5511X	32
4-4-7731-1	25	5-4-4451X	28	5-4-5571-1	28
4-4-7741-1X	25	5-4-4461	28	5-4-5621-1X	28
4-4-7751-1	25	5-4-4461-1	28	5-4-5631	32



5-4-5631	32	5-4-6971-1	30	5-4-821	29
5-4-5711	27	5-4-6981-1	28	5-4-8211-1X	32
5-4-5721	29	5-4-7031-1	28	5-4-8261-1	31
5-4-5731	31	5-4-7041-1	29	5-4-8301-1	31
5-4-5741	33	5-4-7061-1	30	5-4-8321-1	32
5-4-5751	31	5-4-7091-1	33	5-4-8341-1	33
5-4-5821	34	5-4-7101-1X	30	5-4-8351-1X	33
5-4-5831-1	33	5-4-7111-1	29	5-4-8361-1	29
5-4-5851-1	33	5-4-7121X	30	5-4-8391-1X	32
5-4-5861X	30	5-4-7171-1	28	5-4-8401X	31
5-4-5881	31	5-4-7181X	31	5-4-8411-1X	31
5-4-5961	31	5-4-7191	32	5-4-8411X	31
5-4-5971X	31	5-4-7201X	32	5-4-8421X	31
5-4-5981	31	5-4-7211X	32	5-4-8431-1X	32
5-4-5991X	31	5-4-7221X	31	5-4-8441X	29
5-4-6101-1X	33	5-4-7231X	33	5-4-8451X	28
5-4-6131	30	5-4-7241	31	5-4-8461-1	32
5-4-6241	31	5-4-7251X	29	5-4-8491-1	29
5-4-6241-1	31	5-4-7261	29	5-4-8501-1X	29
5-4-6251	28	5-4-7261-1	29	5-4-8561-1	28
5-4-6261	28	5-4-7271-1	31	5-4-8571-1X	28
5-4-6261-1	28	5-4-7301-1X	29	5-4-8581-1	30
5-4-6271	31	5-4-7311-1X	31	5-4-8591-1X	30
5-4-6281X	31	5-4-7331-1	33	5-4-8601-1	31
5-4-6291-1X	31	5-4-7341-1X	33	5-4-8611-1X	31
5-4-6291X	31	5-4-7351-1	33	5-4-8621-1	32
5-4-6311-1X	29	5-4-7361-1X	33	5-4-8631-1X	32
5-4-6321	30	5-4-7381-1	32	5-4-8641-1	32
5-4-6321-1	30	5-4-7391-1X	32	5-4-8651-1X	32
5-4-6341	29	5-4-7431-1	33	5-4-8661-1	29
5-4-6351	29	5-4-7441-1X	33	5-4-8671-1X	29
5-4-6361-1X	29	5-4-7481-1	30	5-4-8681-1	31
5-4-6371	32	5-4-7551-1	31	5-4-8691-1X	31
5-4-6371-1	32	5-4-7561	31	5-4-871	27
5-4-6381-1X	32	5-4-7571X	31	5-4-8711X	32
5-4-6381X	32	5-4-7581-1	28	5-4-8741-1	33
5-4-6421	31	5-4-7601-1	30	5-4-8911-1	28
5-4-6421-1	31	5-4-7631-1	27	5-4-8961-1	30
5-4-6431-1X	31	5-4-7691-1X	30	5-4-8971-1	30
5-4-6431X	31	5-4-7701-1	29	5-4-8981-1	30
5-4-6441-1X	31	5-4-7781-1	29	5-4-8991-1X	30
5-4-6481	30	5-4-781	28	5-4-9111-1X	31
5-4-6481-1	30	5-4-7941-1	29	5-4-9141	32
5-4-6521-1	33	5-4-7971	31	5-4-9141-1	32
5-4-6531	33	5-4-7971-1	31	5-4-9171-1M	33
5-4-6531-1	33	5-4-7981	31	5-4-9181-1XM	33
5-4-6541-1	30	5-4-7981-1	31	5-4-9221-1	31
5-4-6641	30	5-4-7991	31	5-4-9231-1X	31
5-4-6651	29	5-4-8001	29	5-4-9241-1X	31
5-4-6871X	31	5-4-8011	28	5-4-9271-1X	31
5-4-6891X	32	5-4-8021-1	32	5-4-9351-1	31
5-4-6941-1	27	5-4-8031-1X	32	5-4-9401-1	33
5-4-6951-1X	31	5-4-8041	27	5-4-9411-1X	33
5-4-6951X	31	5-4-8061-1X	29	5-4-9461-1M	31
5-4-6961X	31	5-4-8131-1X	31	5-4-9521-1	29





5-4-9541-1X	33	6.3-4-1531-1	45	6.3-4-641	45
5-4-9581-1	33	6.3-4-1541-1X	45	6.3-4-641-1	45
5-4-9601-1M	33	6.3-4-1551-1	45	6.3-4-651	46
5-4-9611-1XM	33	6.3-4-1561-1X	45	6.3-4-651-1	46
5-4-9621-1	33	6.3-4-1581-1	47	6.3-4-661	47
5-4-9631-1X	33	6.3-4-1591-1	44	6.3-4-71	44
55-4-11-1	7	6.3-4-1601-1	45	6.3-4-711	47
565-W	64	6.3-4-161	45	6.3-4-711-1	47
6.3-4-101	45	6.3-4-161-1	45	6.3-4-721X	47
6.3-4-101-1	45	6.3-4-1611-1X	45	6.3-4-731-1X	45
6.3-4-1021X	45	6.3-4-1621-1X	45	6.3-4-731X	45
6.3-4-1031	45	6.3-4-1651-1X	46	6.3-4-771-1X	46
6.3-4-1031-1	45	6.3-4-1681	47	6.3-4-771X	46
6.3-4-1041-1X	45	6.3-4-1681-1	47	6.3-4-781-1X	46
6.3-4-1041X	45	6.3-4-1701-1	44	6.3-4-781X	46
6.3-4-1061	44	6.3-4-1711-1X	44	6.3-4-791-1X	47
6.3-4-1061-1	44	6.3-4-171-1X	44	6.3-4-791X	47
6.3-4-1071-1X	44	6.3-4-171X	44	6.3-4-801-1X	44
6.3-4-1071X	44	6.3-4-181X	44	6.3-4-81	44
6.3-4-1091-1	45	6.3-4-191X	44	6.3-4-811	46
6.3-4-1101-1X	45	6.3-4-211-1X	45	6.3-4-811-1	46
6.3-4-111	44	6.3-4-211X	45	6.3-4-821-1	46
6.3-4-1151	46	6.3-4-221X	44	6.3-4-831	45
6.3-4-1151-1	46	6.3-4-231X	44	6.3-4-841	45
6.3-4-1161-1X	46	6.3-4-241-1X	46	6.3-4-841-1	45
6.3-4-1161X	46	6.3-4-241X	46	6.3-4-851X	45
6.3-4-1191-1	47	6.3-4-251-1X	44	6.3-4-861-1X	45
6.3-4-1201-1	47	6.3-4-251X	44	6.3-4-861X	45
6.3-4-121	44	6.3-4-271	45	6.3-4-871-1X	46
6.3-4-1251	46	6.3-4-271-1	45	6.3-4-901-1X	45
6.3-4-1251-1	46	6.3-4-291	45	6.3-4-901X	45
6.3-4-1271-1X	45	6.3-4-291-1	45	6.3-4-91	45
6.3-4-1281-1X	45	6.3-4-301-1X	45	6.3-4-91-1	45
6.3-4-1281X	45	6.3-4-301X	45	6.5-4-1001	47
6.3-4-131	46	6.3-4-331-1X	45	6.5-4-1781	47
6.3-4-131-1	46	6.3-4-331X	45	6.5-4-1891	49
6.3-4-1321	45	6.3-4-381	46	6.5-4-1891-1	49
6.3-4-1321-1	45	6.3-4-381-1	46	6.5-4-1901	51
6.3-4-1331-1X	45	6.3-4-391	45	6.5-4-1901-1	51
6.3-4-1331X	45	6.3-4-391-1	45	6.5-4-1911	49
6.3-4-1391-1X	45	6.3-4-41-1	46	6.5-4-1921	47
6.3-4-1391X	45	6.3-4-431	44	6.5-4-1941	51
6.3-4-1401-1X	46	6.3-4-441	45	6.5-4-1971	48
6.3-4-141	44	6.3-4-51	44	6.5-4-1971-1	48
6.3-4-1411	45	6.3-4-51-1	44	6.5-4-1991	50
6.3-4-141-1	44	6.3-4-521	46	6.5-4-1991-1	50
6.3-4-1411-1	45	6.3-4-5221-1X	45	6.5-4-2001	47
6.3-4-1421	45	6.3-4-5221X	45	6.5-4-2011	51
6.3-4-1421-1	45	6.3-4-531	44	6.5-4-2021	49
6.3-4-1481-1X	45	6.3-4-531-1	44	6.5-4-2051	47
6.3-4-1481X	45	6.3-4-541-1X	44	6.5-4-2101	50
6.3-4-151	46	6.3-4-541X	44	6.5-4-2101-1	50
6.3-4-151-1	46	6.3-4-601-1	44	6.5-4-2131	49
6.3-4-1511-1	44	6.3-4-61	47	6.5-4-2131-1	49
6.3-4-1521-1X	44	6.3-4-61-1	47	6.5-4-2141-1	49



6.5-4-2151	50	6.5-4-3281-1X	49	6.5-4-3911	50
6.5-4-2171	51	6.5-4-3281X	49	6.5-4-3911-1	50
6.5-4-2171-1	51	6.5-4-3361	51	6.5-4-3921-1X	50
6.5-4-2181	51	6.5-4-3361-1	51	6.5-4-3921X	50
6.5-4-2251	47	6.5-4-3371	47	6.5-4-3931	48
6.5-4-2261	48	6.5-4-3371-1	47	6.5-4-3941-1	51
6.5-4-2271X	48	6.5-4-3381-1X	47	6.5-4-4001-1X	50
6.5-4-2291	48	6.5-4-3381X	47	6.5-4-4001X	50
6.5-4-2291-1	48	6.5-4-3441	49, 50	6.5-4-4011-1X	50
6.5-4-2341X	47	6.5-4-3441-1	50	6.5-4-4011X	49
6.5-4-2351X	47	6.5-4-3451	50	6.5-4-4081-1	49
6.5-4-2361-1X	50	6.5-4-3451-1	50	6.5-4-4091-1X	49
6.5-4-2361X	50	6.5-4-3461	51	6.5-4-4161-1X	50
6.5-4-2401-1X	48	6.5-4-3461-1	51	6.5-4-4211-1	49
6.5-4-2401X	48	6.5-4-3491	51	6.5-4-4221-1X	49
6.5-4-2441	48	6.5-4-3491-1	51	6.5-4-4231-1	49
6.5-4-2451X	48	6.5-4-3501-1X	51	6.5-4-4241-1X	49
6.5-4-2471	48	6.5-4-3501X	51	6.5-4-4261-1X	50
6.5-4-2491X	48	6.5-4-3541-1X	51	6.5-4-4271-1X	49
6.5-4-2531X	49	6.5-4-3541X	51	6.5-4-4271X	49
6.5-4-2541	50	6.5-4-3551-1X	50	6.5-4-4281-1X	47
6.5-4-2541-1	50	6.5-4-3551X	50	6.5-4-4291-1X	50
6.5-4-2551X	49	6.5-4-3561-1X	51	6.5-4-4291X	50
6.5-4-2561	50	6.5-4-3561X	51	6.5-4-4311	49
6.5-4-2561-1	50	6.5-4-3571-1X	47	6.5-4-4311-1	49
6.5-4-2581	49	6.5-4-3571X	47	6.5-4-4321	49
6.5-4-2581-1	49	6.5-4-3581-1X	49	6.5-4-4321-1	49
6.5-4-2601X	51	6.5-4-3581X	49	6.5-4-4341	51
6.5-4-2621	51	6.5-4-3591-1	50	6.5-4-4351-1X	49
6.5-4-2621-1	51	6.5-4-3611	51	6.5-4-4351X	49
6.5-4-2681	51	6.5-4-3611-1	51	6.5-4-4401-1X	51
6.5-4-2701	49	6.5-4-3621-1X	51	6.5-4-4401X	51
6.5-4-2701-1	49	6.5-4-3621X	51	6.5-4-4411-1	49
6.5-4-2711-1X	49	6.5-4-3631	49	6.5-4-4421-1X	49
6.5-4-2711X	49	6.5-4-3641X	49	6.5-4-4431-1	49
6.5-4-2781	47	6.5-4-3651X	49	6.5-4-4441-1X	49
6.5-4-2781-1	47	6.5-4-3681	48	6.5-4-4451-1	48
6.5-4-2821	47	6.5-4-3681-1	48	6.5-4-4461-1X	48
6.5-4-2831X	48	6.5-4-3691-1X	48	6.5-4-4521	51
6.5-4-2911	47	6.5-4-3691X	48	6.5-4-4521-1	51
6.5-4-2921	50	6.5-4-3711-1X	50	6.5-4-4541	51
6.5-4-2931X	51	6.5-4-3711X	50	6.5-4-4551X	51
6.5-4-2961	47	6.5-4-3721	49	6.5-4-4571-1X	49
6.5-4-3011	49	6.5-4-3721-1	49	6.5-4-4571X	49
6.5-4-3021	51	6.5-4-3731-1X	49	6.5-4-4601-1X	48
6.5-4-3021-1	51	6.5-4-3731X	49	6.5-4-4611-1X	50
6.5-4-3081	51	6.5-4-3741-1	49	6.5-4-4611X	50
6.5-4-3161	49	6.5-4-3751-1X	49	6.5-4-4631	51
6.5-4-3201	49	6.5-4-3801-1	51	6.5-4-4631-1	51
6.5-4-3201-1	49	6.5-4-3821-1	51	6.5-4-4651-1	48
6.5-4-3221-1X	49	6.5-4-3841-1	48	6.5-4-4661-1X	48
6.5-4-3221X	49	6.5-4-3851-1X	48	6.5-4-4721-1X	49
6.5-4-3251	49	6.5-4-3861-1	48	6.5-4-4751	47
6.5-4-3251-1	49	6.5-4-3881-1X	48	6.5-4-4801-1	52
6.5-4-3261-1	47	6.5-4-3891X	47	6.5-4-4921-1X	52





6-4-1971	39	6-4-4141	34	6-4-5061X	39
6-4-1981	35	6-4-4151	35	6-4-5071X	40
6-4-1981-1	35	6-4-4151-1	35	6-4-5101X	37
6-4-1991	39	6-4-4171-1X	39	6-4-5111X	35
6-4-1991-1	39	6-4-4171X	39	6-4-5131-1X	35
6-4-2001	36	6-4-4261	35	6-4-5131X	35
6-4-2061	35	6-4-4271	35	6-4-5141	35
6-4-2081	34	6-4-4291X	36	6-4-5151X	35
6-4-2081-1	34	6-4-4301-1X	34	6-4-5201	43
6-4-2141	39	6-4-4301X	34	6-4-5251X	43
6-4-2181	39	6-4-4361-1X	35	6-4-5271	40
6-4-2181-1	39	6-4-4361X	35	6-4-5281	35
6-4-2191	36	6-4-4371	35	6-4-5291	36
6-4-2191-1	36	6-4-4391X	36	6-4-5341	40
6-4-2211	36	6-4-4411-1X	39	6-4-5351	43
6-4-2251	42	6-4-4411X	39	6-4-5351-1	43
6-4-2251-1	42	6-4-4421-1	42	6-4-5451	41
6-4-2331	39	6-4-4481X	35	6-4-5451-1	41
6-4-2361	36	6-4-4531	40	6-4-5461-1X	41
6-4-2361-1	36	6-4-4551	43	6-4-5461X	41
6-4-2371	36	6-4-4551-1	43	6-4-5471	39
6-4-2381	34	6-4-4561	40	6-4-5481X	39
6-4-2391	35	6-4-4561-1	40	6-4-5501	37
6-4-2431	38	6-4-4581	42	6-4-5501-1	37
6-4-2441	39	6-4-4581-1	42	6-4-5521	37
6-4-2501	39	6-4-4591	39	6-4-5521-1	37
6-4-2511	39	6-4-4591-1	39	6-4-5541	37
6-4-2601X	39	6-4-4601	40	6-4-5581-1X	34
6-4-3001	36	6-4-4601-1	40	6-4-5581X	34
6-4-3021	43	6-4-4651	43	6-4-5711	40
6-4-3031	39	6-4-4651-1	43	6-4-5741	41
6-4-3031-1	39	6-4-4681X	39	6-4-5781	36
6-4-3041-1X	39	6-4-4721	35	6-4-5791	38
6-4-3041X	39	6-4-4721-1	35	6-4-5801	41
6-4-3081	42	6-4-4731-1X	35	6-4-5811	38
6-4-3131	36	6-4-4731X	35	6-4-5831	40
6-4-3161	42	6-4-4741X	36	6-4-5841	41
6-4-3221	35	6-4-4751-1X	42	6-4-5841-1	41
6-4-3221-1	35	6-4-4751X	42	6-4-5851	37
6-4-3241	36	6-4-4771	42	6-4-5851-1	37
6-4-3271	36	6-4-4771-1	42	6-4-5931	41
6-4-3291	36	6-4-4781	42	6-4-5931-1	41
6-4-3391	34	6-4-4831X	34	6-4-5961-1X	41
6-4-3391-1	34	6-4-4841X	34	6-4-5961X	41
6-4-3461X	39	6-4-4851-1X	35	6-4-5991	37
6-4-3491	39	6-4-4851X	35	6-4-6001X	37
6-4-3541	39	6-4-4861X	34	6-4-6011	37
6-4-3791	38	6-4-4901	37	6-4-6011-1	38
6-4-3831	35	6-4-4921	43	6-4-6021-1X	38
6-4-3831-1	35	6-4-4961	39	6-4-6021X	37
6-4-3871	39	6-4-4971	37	6-4-6041-1X	40
6-4-3901	36	6-4-5031	35	6-4-6041X	40
6-4-4091	34	6-4-5031-1	35	6-4-6201	36
6-4-4121	39	6-4-5041-1X	35	6-4-6211-1	41
6-4-4131	35	6-4-5041X	35	6-4-6231-1	41



6-4-6241-1X	41	6-4-7051-1	43	6-4-7771X	41
6-4-6321	35	6-4-7071-1X	43	6-4-7831	41
6-4-6321-1	35	6-4-7071X	43	6-4-7831-1	41
6-4-6331	35	6-4-7081-1	41	6-4-7851-1X	41
6-4-6331-1	35	6-4-7141	36	6-4-7851X	41
6-4-6371	37	6-4-7141-1	36	6-4-7881-1X	41
6-4-6371-1	37	6-4-7161	41	6-4-7881X	41
6-4-6381X	37	6-4-7161-1	41	6-4-7891-1X	41
6-4-6391-1X	37	6-4-7171X	38	6-4-7891X	41
6-4-6391X	37	6-4-7181-1X	41	6-4-7961	40
6-4-6401	37	6-4-7181X	41	6-4-7961-1	40
6-4-6401-1	37	6-4-7191X	40	6-4-7971-1X	40
6-4-6411X	37	6-4-7201	40	6-4-7971X	40
6-4-6421-1X	37	6-4-7211X	40	6-4-7981	37
6-4-6421X	37	6-4-7221X	38	6-4-7981-1	37
6-4-6451	35	6-4-7231X	36	6-4-7991	37
6-4-6451-1	35	6-4-7241X	41	6-4-7991-1	37
6-4-6481	35	6-4-7251	40	6-4-8001	35
6-4-6501	42	6-4-7251-1	40	6-4-8001-1	35
6-4-6571	37	6-4-7271-1X	40	6-4-8081	35
6-4-6571-1	37	6-4-7271X	40	6-4-8081-1	35
6-4-6601	41	6-4-7281-1	40	6-4-8231-1X	37
6-4-6601-1	41	6-4-7291X	36	6-4-8271-1	39
6-4-6611	42	6-4-7301	36	6-4-8281-1X	39
6-4-6611-1	42	6-4-7301-1	36	6-4-8331-1X	37
6-4-6631	43	6-4-7311-1	39	6-4-8331X	37
6-4-6631-1	43	6-4-7321-1X	39	6-4-8341-1X	41
6-4-6671	40	6-4-7371-1	39	6-4-8341X	41
6-4-6761-1X	42	6-4-7381-1X	39	6-4-8351-1X	42
6-4-6761X	42	6-4-7481-1	42	6-4-8361-1X	37
6-4-6771X	39	6-4-7511	42	6-4-8361X	37
6-4-6821	43	6-4-7511-1	42	6-4-8411	38
6-4-6821-1	43	6-4-7531-1X	42	6-4-8411-1	38
6-4-6841-1X	43	6-4-7531X	42	6-4-8421	38
6-4-6841X	43	6-4-7541	39	6-4-8421-1	38
6-4-6861-1	39	6-4-7541-1	39	6-4-8431	38
6-4-6871-1X	37	6-4-7551	39	6-4-8431-1	38
6-4-6871X	37	6-4-7551-1	39	6-4-8441	38
6-4-6891X	39	6-4-7561-1X	39	6-4-8441-1	38
6-4-6901-1X	39	6-4-7561X	39	6-4-8451-1	40
6-4-6921-1X	42	6-4-7571-1	35	6-4-8461	40
6-4-6921X	42	6-4-7581-1X	35	6-4-8461-1	40
6-4-6931-1X	43	6-4-7621-1	37	6-4-8471	42
6-4-6931X	43	6-4-7631-1X	37	6-4-8511-1X	35
6-4-6941X	37	6-4-7641-1X	37	6-4-8511X	35
6-4-6951-1X	37	6-4-7651X	39	6-4-8521-1X	35
6-4-6951X	37	6-4-7661-1	43	6-4-8521X	35
6-4-6961-1X	41	6-4-7681	43	6-4-8531-1X	37
6-4-6961X	41	6-4-7691	43	6-4-8531X	37
6-4-6971	40	6-4-7691-1	43	6-4-8541-1X	37
6-4-7001X	35	6-4-7741-1X	36	6-4-8541X	37
6-4-7011	35	6-4-7751-1	34	6-4-8551-1X	40
6-4-7041-1X	43	6-4-7761	41	6-4-8551X	40
6-4-7041X	43	6-4-7761-1	41	6-4-8561	39
6-4-7051	43	6-4-7771-1X	41	6-4-8561-1	39





6-4-8571-1X	37	6-4-9421-1	38	90-4-591-1X	8
6-4-8571X	37	6-4-9431-1X	38	90-4-601-1	8
6-4-8601-1X	37	6-4-9441-1X	38	90-4-611-1X	8
6-4-8651-1	36	6-4-9531-1X	41	90-4-621-1	8
6-4-8661-1X	36	6-4-9551	40	90-4-631-1X	8
6-4-8671-1	38	6-4-9561-1M	43	90-4-71-1	7
6-4-8681-1X	38	6-4-9571-1XM	43	90-4-711-1	7
6-4-8691-1	40	6-4-9741-1M	43	90-4-751-1	7
6-4-8701-1X	40	6-4-9751-1XM	43	90-4-761-1X	7
6-4-8711-1	41	6-4-9761-1M	41	90-4-791-1	8
6-4-8721-1X	41	6-4-9771-1M	41	9-4-131	52
6-4-8731-1	36	6-4-9781-1	41	9-4-261	52
6-4-8741-1X	36	6-4-9791-1X	41	9-4-271X	52
6-4-8751-1	38	6-4-9801-1M	41	9-4-301	52
6-4-8761-1X	38	6-4-9811-1XM	41	9-4-311X	52
6-4-8771-1	41	6-4-9821-1M	41	9-4-51	52
6-4-8781-1X	41	6-4-9831-1XM	41	98-1361	63
6-4-8791-1	41	6-4-9841-1X	39	98-1362	63
6-4-8801-1X	41	6-4-9911-1	41	98-1473	66
6-4-8821-1	43	70-4-11-1	7		
6-4-8831-1	41	7C-4-241	53		
6-4-8841-1	42	829W	66		
6-4-8851	43	8-4-1061	52		
6-4-8851-1	43	8-4-1141	52		
6-4-8871-1	41	8-4-1151X	52		
6-4-8881-1X	41	8-4-1161X	52		
6-4-8981-1X	40	8-4-421	52		
6-4-8991-1X	38	8-4-851	52		
6-4-8991X	38	90-4-11-1	7		
6-4-9001-1X	38	90-4-111-1	7		
6-4-9001X	38	90-4-161-1	8		
6-4-9021-1	35	90-4-171-1X	8		
6-4-9031-1X	38	90-4-181-1	7		
6-4-9031X	38	90-4-191-1X	7		
6-4-9041-1X	38	90-4-201-1	7		
6-4-9041X	38	90-4-21-1	7		
6-4-9131-1	42	90-4-211-1X	7		
6-4-9141	42	90-4-241-1	8		
6-4-9151X	42	90-4-251-1X	8		
6-4-9161-1X	40	90-4-311-1	7		
6-4-9171-1X	39	90-4-321-1X	7		
6-4-9181-1X	39	90-4-331-1	8		
6-4-9181X	39	90-4-341-1X	8		
6-4-9191-1X	39	90-4-351-1	8		
6-4-9191X	39	90-4-361-1X	8		
6-4-9221	39	90-4-371-1	7		
6-4-9221-1	39	90-4-381-1	7		
6-4-9231	43	90-4-391-1	7		
6-4-9231-1	43	90-4-461-1	7		
6-4-9281-1	38	90-4-501-1X	7		
6-4-9291-1	38	90-4-541-1	7		
6-4-9301-1X	38	90-4-551-1X	7		
6-4-9311-1M	41	90-4-561-1	7		
6-4-9321-1XM	41	90-4-571-1X	7		
6-4-9411-1	37	90-4-581-1	8		



SPICER[®]



Commercial Vehicle Service Parts
Dana Corporation
P.O. Box 321
Toledo, OH 43697
Phone: 419-866-3900
Fax: 419-866-3925
www.dana.com
www2.dana.com/expert

© Dana Corporation, 2001